

# Cross Section Drawing

## Trinsic Bottom Awning Window Block Frame (No Fin)



CAD File Scale  
NTS

View  
Horizontal & Vertical

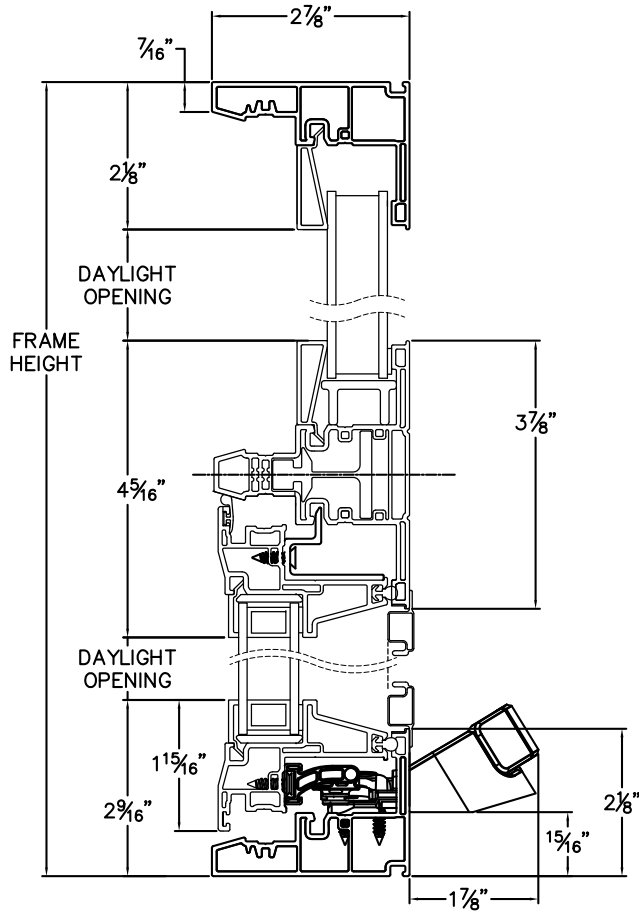
File Name  
Trinsic\_2410\_BA\_block

Units  
Inch

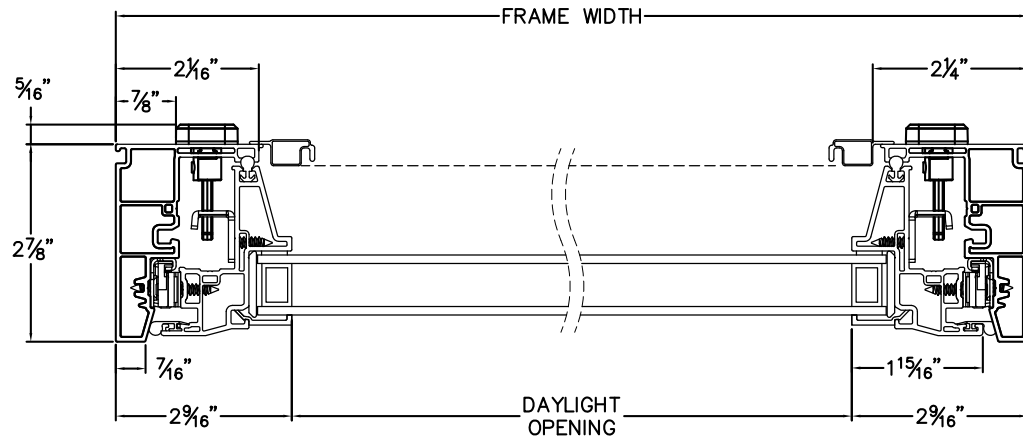
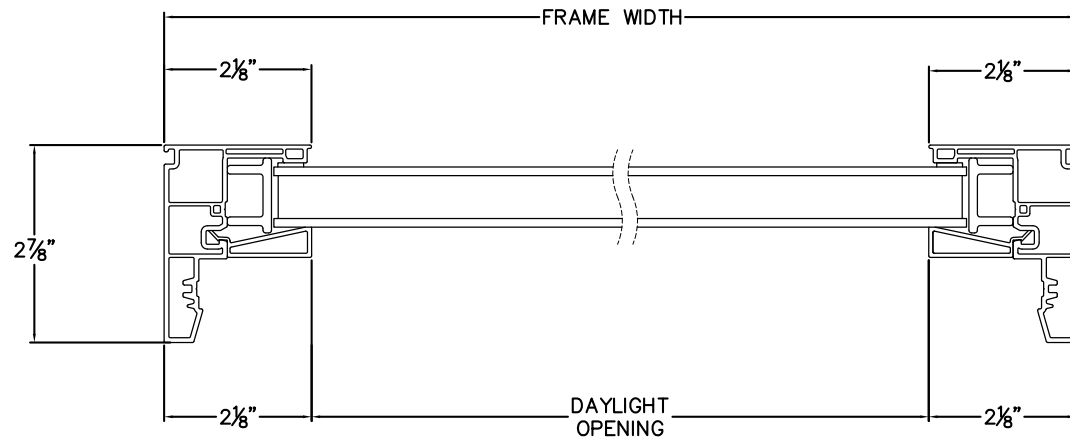
Revision  
8/2018

More Technical Documents can be found at [milgard.com/professionals](http://milgard.com/professionals)  
Due to continual research and development, details may be changed at any time. ©2018 Milgard Mfg.

### BOTTOM AWNING SERIES 2410



HEAD & SILL



JAMBS