

Cross Section Drawing

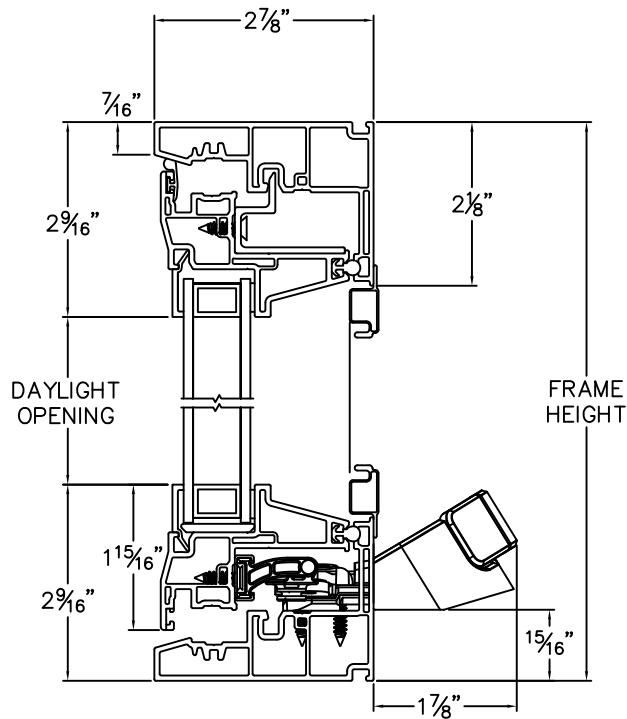
Trinsic Full Awning Window Block Frame (No Fin)



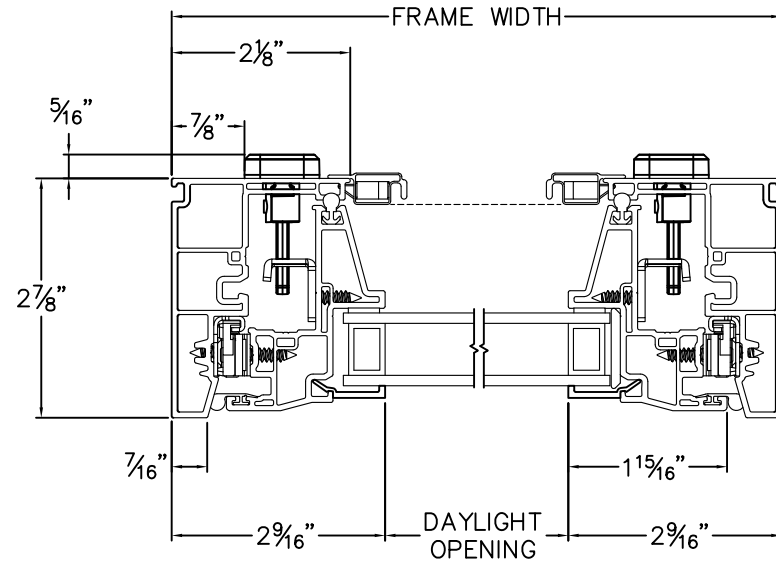
CAD File Scale	View	File Name	Units	Revision
NTS	Horizontal & Vertical	Trinsic_2410_FA_block	Inch	8/2018

More Technical Documents can be found at milgard.com/professionals
 Due to continual research and development, details may be changed at any time. ©2018 Milgard Mfg.

AWNING SERIES 2410



HEAD & SILL



JAMBS