

Cross Section Drawing

**Trinsic Full Casement Window
1 3/8" Nailfin Setback Frame**

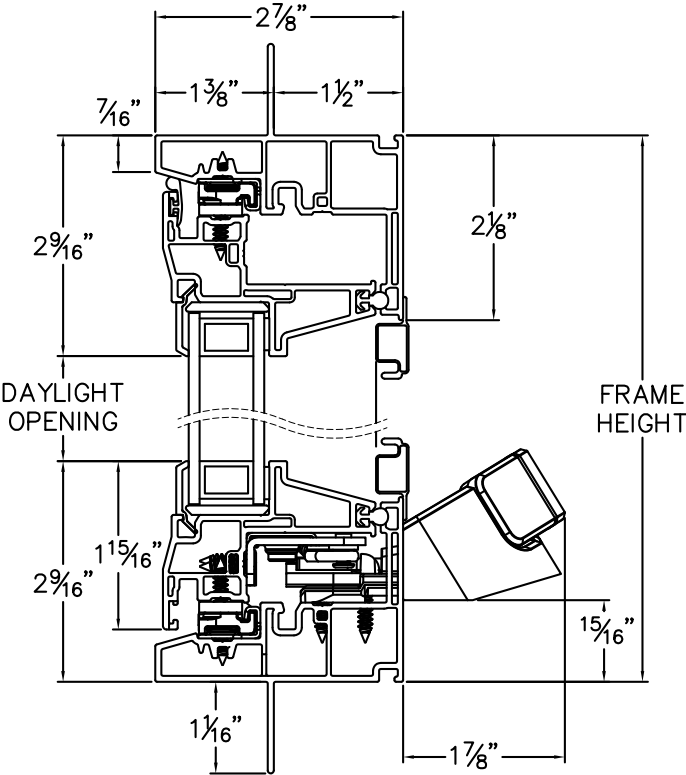


Clearly the best.™

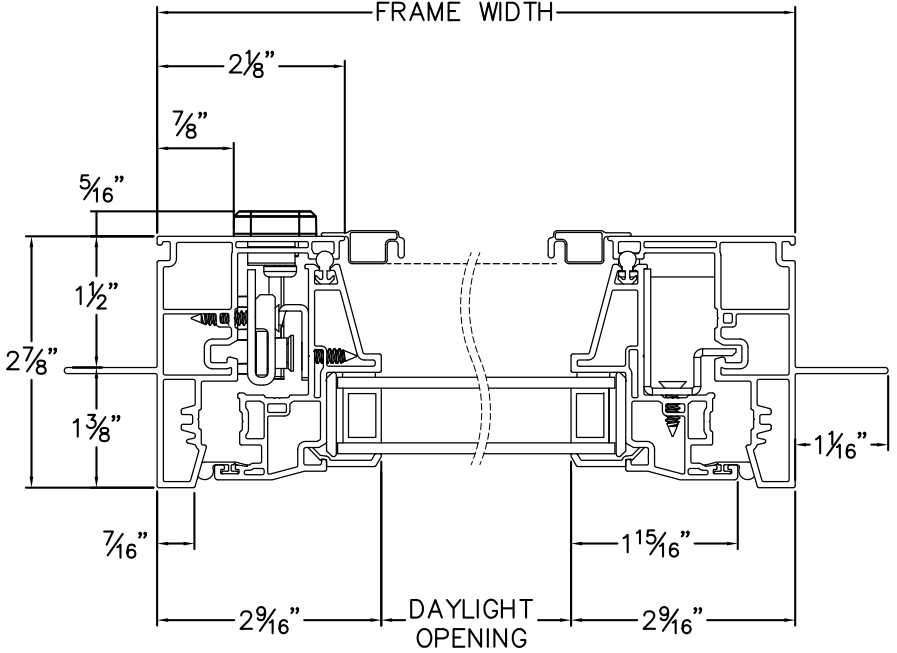
CAD File Scale	View	File Name	Units	Revision
NTS	Horizontal & Vertical	Trinsic_2510_FC_1.375in	Inch	8/2018

More Technical Documents can be found at milgard.com/professionals
 Due to continual research and development, details may be changed at any time. ©2018 Milgard Mfg.

**CASEMENT
SERIES 2510**



HEAD & SILL



JAMBS