

# TRINSIC™ SERIES

Vinyl Windows and Patio Doors

## Architectural Manual



## Instructions on how to use this manual:

This document has been designed for easy navigation and to quickly click to the section you need. Here's some important tips on using this document:

- Any item printed in **red**, will click through to the corresponding item.
- Click to any item in the Table of Contents on **page 3**. Click on the Milgard logo at the top of any page to return to the Table of Contents - FULL MANUAL ONLY.
- From each section's Quick Links page, click to any Drawing listed.
- From any Drawing page, click the "Go Back to Quick Links" box on the bottom right of the page to return to the list of drawings.
- Click on the links on the bottom of the page to go to Revit, SketchUp . PDF and .DWG files. Please note that you must have internet access for these links and you will be re-directed to the Milgard site.
- This document can also be navigated from Adobe Acrobat Bookmarks.

Revit, SketchUp, .PDF and .DWG files can be accessed  
at **[milgard.com](http://milgard.com)** or clicking here:

**[Technical Resources](#)**

# Contents

<b>COMPONENTS</b> _____	<b>4</b>	<b>Horizontal Sliding &amp; Double Horizontal Sliding Window</b> _____	<b>51</b>
Frame _____	4	Configurations _____	52
Nail-On Fin _____	4	Minimum/Maximum Sizes _____	52
Weep System _____	4	Available Frame Styles _____	52
Glazing Material _____	4	Drawings - Quick Links _____	53
Vent Panel _____	4	<b>Picture and Radius Window</b> _____	<b>78</b>
Weatherstripping _____	5	Configurations _____	79
Door Roller Assembly _____	5	Minimum/Maximum Sizes _____	79
Locking Assembly _____	5	Available Frame Styles _____	79
Screen _____	5	Drawings - Quick Links _____	80
Energy Packages _____	5	<b>Single Hung Window</b> _____	<b>103</b>
<b>OPTIONS</b> _____	<b>5</b>	Configurations _____	104
Grids _____	5	Minimum/Maximum Sizes _____	104
Glass _____	5	Available Frame Styles _____	104
<b>Window and Door Hardware</b> _____	<b>6</b>	Drawings - Quick Links _____	105
<b>Premium Exterior Vinyl Finishes</b> _____	<b>7</b>	<b>Sliding Patio Door</b> _____	<b>130</b>
<b>Full Lifetime Warranty</b> _____	<b>8</b>	Configurations _____	131
<b>Awning Window</b> _____	<b>9</b>	Minimum/Maximum Sizes _____	131
Configurations _____	10	Available Frame Styles _____	131
Minimum/Maximum Sizes _____	10	Drawings - Quick Links _____	132
Available Frame Styles _____	10		
Drawings - Quick Links _____	11		
<b>Casement Window</b> _____	<b>31</b>		
Configurations _____	32		
Minimum/Maximum Sizes _____	32		
Available Frame Styles _____	32		
Drawings - Quick Links _____	33		

# About Trinsic™ Series

The Trinsic series vinyl window has the energy efficiency and low maintenance of vinyl with sleek, contemporary design and even sightlines.

The result is a window with maximum glass area. Available in white, tan, and clay (select regions), as well as premium painted exteriors. The windows will maintain their color and shape and can be constructed to your exact size specifications, subject to review.

## COMPONENTS

### Frame

Frame components are made from high performance polyvinyl chloride, available in White or Tan, with Clay available in select regions or premium painted upgrade window frames. Trinsic Series is designed to offer a sleek appearance, ideal for contemporary homes or whenever maximum glazing area and even sight lines are desired. Mitered corners are precision welded resulting in an air and water tight seal.

Standard window frame depth is 2-7/8", ideal for both new construction and use as a replacement window.

### Nail-On Fin

A 1-1/16" pre-punched nail flange extends around the perimeter frame, securing the window in rough openings and acting as a part of the flashing system. The nailing fin may be removed as needed

for block frame applications. Fin setbacks are available in 1-3/8" from outside of frame; also in 1" for our SW locations using 3 coat stucco applications (not available at all locations).

### Weep System

Hollow sill construction and offset weep holes that release any accumulated moisture from track and help prevent blow back, or water seeping to the interior caused by a combination of wind and rain.

### Glazing Material

AAMA approved glazing tape adheres glass to the fixed panel frame which seals and cushions the glass. Rigid vinyl setting blocks are used to support the unit above the sill, preventing glass slippage. Extruded vinyl glazing (snap-in) bead is applied around the exterior edge.

Glass insulating dual glazed panes are butyl sealed for energy efficiency. Specialty glass options are available upon request.

### Vent Panel

The vent panel has an "L" shaped lip that fully interlocks with the meeting rail, adding security and preventing air and water penetration. Its roller assembly rides on a monorail track for easy operation and durability. This raised track in the frame sill helps keep the vent panel free from interference by foreign particles that may collect in the sill.



### Weatherstripping

Silicone-treated water-repellent polypropylene fin seal weatherstripping provides a durable, weather tight seal. This weatherstripping is installed in an integral, continuous keyway around three sides of the vent panel and interlock.

### Door Roller Assembly

Self-lubricating, wear resistant, dual nylon rollers provide flexible, free-wheeling, smooth and silent operation. The adjustable rollers are engineered for reduction of friction and elimination of torque on the vent frame.

### Locking Assembly

A SmartTouch® window lock mechanism provides security and a tighter seal. The lock engages when the window is closed.

### Screen

Screen frames are cambered aluminum, reinforced with rigid plastic corner clips. Screens come standard with matching exterior frame color.

The fiberglass charcoal screen mesh is strong, durable and easy to replace. Two plastic pulls located on the screen allow you to install from inside or outside of house.

### Energy Packages

Milgard adheres to ENERGY STAR® v6 requirements to meet or exceed U-Factor and Solar Heat Gain Coefficient (SHGC) criteria for all ENERGY STAR® zones.

Milgard also offers high energy performance options for the ultimate in energy efficiency. Energy efficient windows could include one or more of the

following features based on your climate.

- SunCoat® or SunCoatMAX®
- EdgeGardMAX®
- Argon or Krypton
- 4th Surface

For more details on Milgard Energy Efficient packages, visit [www.milgard.com/learn/energy-efficiency/energy-efficient-components](http://www.milgard.com/learn/energy-efficiency/energy-efficient-components)

To check the energy performance of all Milgard windows and doors, use our Energy Calculator at:

[milgard.com/energy-calculator](http://milgard.com/energy-calculator)

## OPTIONS

### Grids

Available in:

- 5/8" flat\*
- 1-1/16" sculptured\*
- 7/8" Simulated Divided Lite

\*Premium vinyl exterior colors include coordinating color grids.

### Glass

Refer to glass section. Many more options are available. Please check with your Milgard Representative.

*Caution: The use of petroleum based fuels or solvents as release agents in stucco wall installations or glass cleaning will chemically attack materials used in seals and other components, and voids the Milgard Warranty. The use of wax based release agents is recommended.*

*Expanding foam for insulation purposes should not be used.*

## Window and Door Hardware



### Single Hung and Horizontal Slider

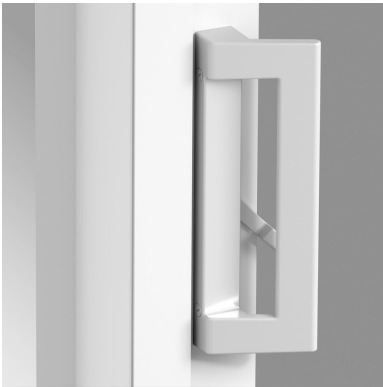
SmartTouch® Lock – Closes and locks window securely in one action.



### Casement and Awning

Folding Nesting Handle with Sash Lock

## Door Handles



Contemporary (standard)



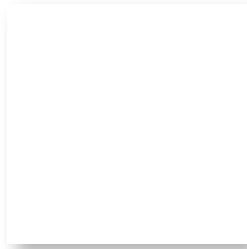
Premium (upgrade)



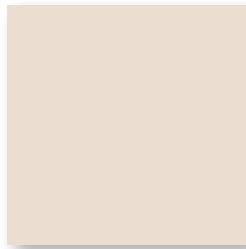
Exterior

## Premium Exterior Vinyl Finishes

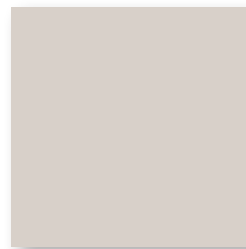
### Standard - Matching interior



White



Tan



Clay

(available in select regions)

### Premium - White interior only



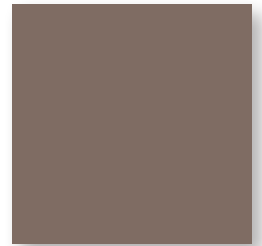
Bronze



Espresso



Classic Brown



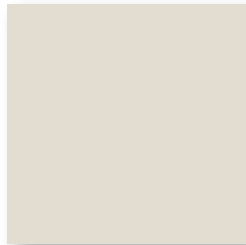
Tweed



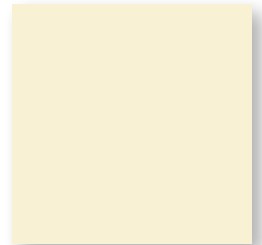
Silver



Fog



Sand



Ivory

## Full Lifetime Warranty

At Milgard, we build our windows and doors to last. With the dedication to quality that we put into building the best windows in the business, it wouldn't make sense to back them with anything but the best warranty in the business. That's why we back every properly installed window and door for as long as the homeowner owns their home—including parts and labor.

It's why you can be sure you won't find any windows better than Milgard.

For complete warranty details, visit [milgard.com](http://milgard.com).



## Why Milgard?

### Quality

Milgard offers award-winning windows and patio doors built for long-lasting comfort. For over 50 years, industry experts have consistently recognized Milgard as a trusted brand. By producing our vinyl and fiberglass frame materials in-house, we can more closely monitor for quality control. Milgard windows and patio doors stand up, while standing out.

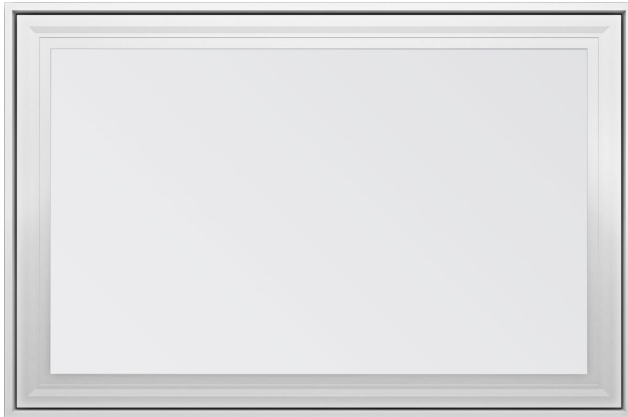
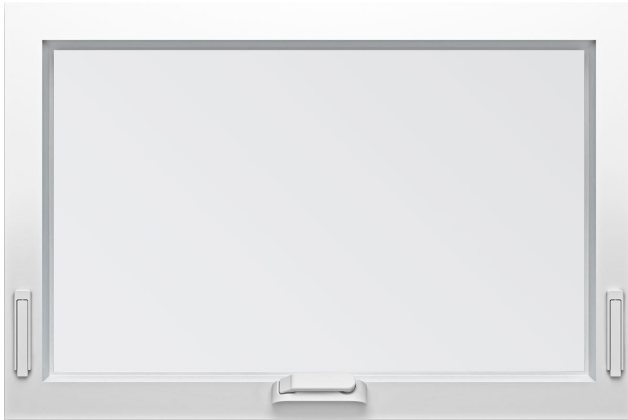
### Experience

Since 1962, Milgard Windows & Doors has designed and assembled superior, top quality windows and patio doors, backed with a [Full Lifetime Warranty](#). Milgard engineers are known for their industry-leading designs using patented technologies. Whatever your project calls for, Milgard has the right product that can beautifully reflect your vision. From new construction to home remodeling, all Milgard windows and doors are custom made to your exact specifications.

### Service

We serve the Western U.S. and Canada with a dozen full-service facilities and customer care centers. Our belief is that by being close to our customers, we can provide them better service.

# Awning Window



The Trinsic™ Series vinyl (PVC) Awning window blends the energy efficiency and low maintenance of vinyl with clean lines and even sightlines.

The result is a window with maximum glass area. Available in white, tan, and clay (select regions), as well as premium painted exteriors. The windows will maintain their color and shape and can be constructed to your exact size specifications.

Please also see:

[Components](#)

[Options](#)

[Hardware](#)

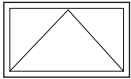
[Premium Exterior Vinyl Finishes](#)

[Full Lifetime Warranty](#)

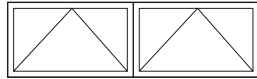


# Awning Window

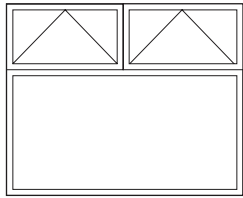
## Configurations



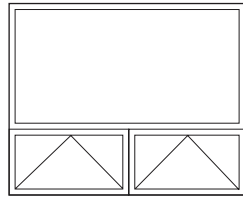
Full Awning



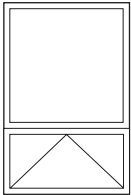
Double Awning



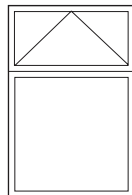
Double top Awning



Double bottom Awning



Bottom Awning



Top Awning

## Minimum/Maximum Sizes

### Awning

- Min 1'6"
- Max 4'3"

### Full Awning Stacked

- Min 1'6"
- Max 6'3"

## Available Frame Styles

- 1-3/8" Fin Setback
- 1" Fin Setback with J-channel
- 1" Fin Setback with Stucco Key
- 1-1/2" Contour Z-bar
- Block Frame (no fin)

*NOTE: For engineering approval contact your Milgard representative for any configuration over 40 square feet. Each Milgard Manufacturing plant reserves the right to alter or change sizes and configurations according to location capabilities. Ask your Milgard rep about specialty applications. Windows over 40 square feet shipped open for field glazing. Varies by location.*

*Not all frame styles available at all Milgard locations. Contact your Milgard Representative for more information.*

# Drawings - Quick Links

## Awning Window

12—Full Awning - 1-3/8" Fin Setback

13—Bottom Awning - 1-3/8" Fin Setback

14—Double Awning - 1-3/8" Fin Setback

15—Full Awning above Full Awning - 1-3/8" Fin Setback

16—Full Awning - 1-3/8" Fin Setback with Stucco Key

17—Bottom Awning - 1-3/8" Fin Setback with stucco key

18—Double Awning - 1-3/8" Fin Setback with stucco key

19—Full Awning - 1" Fin Setback with stucco key

20—Bottom Awning - 1" Fin Setback with stucco key

21—Double Awning - 1" Fin Setback with stucco key

22—Full Awning - 1" Fin Setback with 3/4" J-channel

23—Bottom Awning - 1" Fin Setback with 3/4" J-channel

24—Double Awning - 1" Fin Setback with 3/4" J-channel

25—Full Awning - 1-1/2" Contour Z-bar frame

26—Bottom Awning - 1-1/2" Contour Z-bar frame

27—Double Awning - 1-1/2" Contour Z-bar frame

28—Full Awning - Block Frame

29—Bottom Awning - Block Frame

30—Double Awning - Block Frame

Revit, SketchUp, .PDF and .DWG files can be accessed at [milgard.com/professionals/technical-resources](http://milgard.com/professionals/technical-resources)

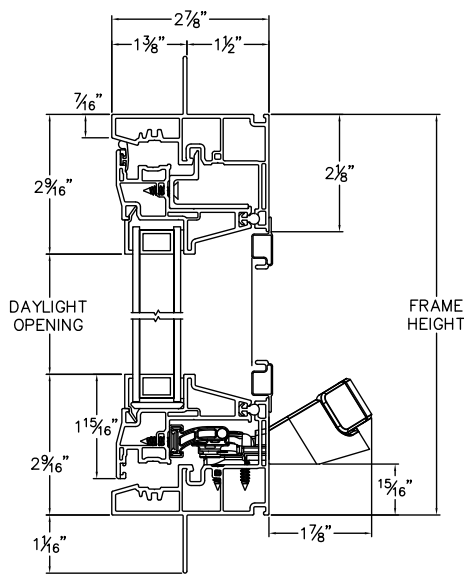
# Awning Window

Full Awning - 1-3/8" Fin Setback

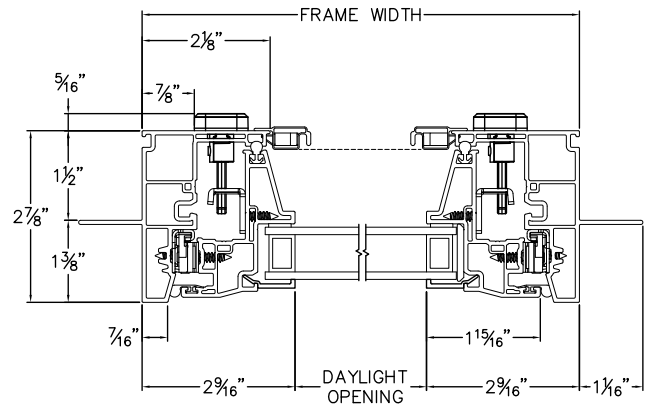
CAD File Scale	View	File Name	Units	Revision
NTS	Horizontal & Vertical	Trinsic_2410_FA_1.375in	Inch	8/2018

More Technical Documents can be found at [milgard.com/professionals](http://milgard.com/professionals)  
Due to continual research and development, details may be changed at any time. ©2018 Milgard Mfg.

## AWNING SERIES 2410



HEAD & SILL



JAMBS

Revit, SketchUp, .PDF and .DWG files can be accessed at  
[milgard.com/professionals/technical-resources](http://milgard.com/professionals/technical-resources)

[Go back to Quick Links](#)

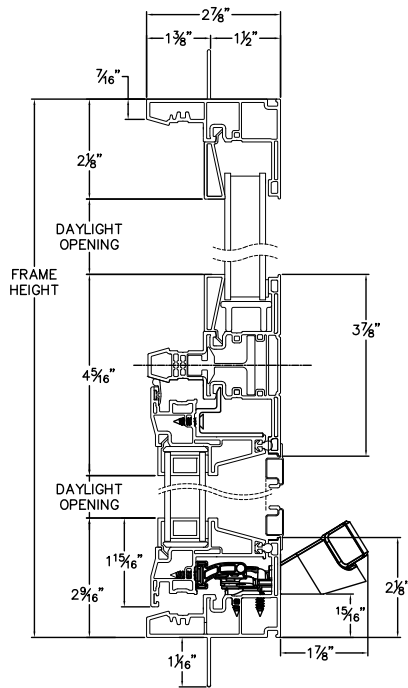
# Awning Window

## Bottom Awning - 1-3/8" Fin Setback

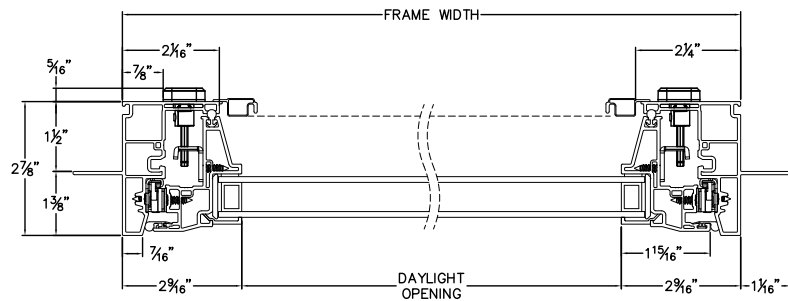
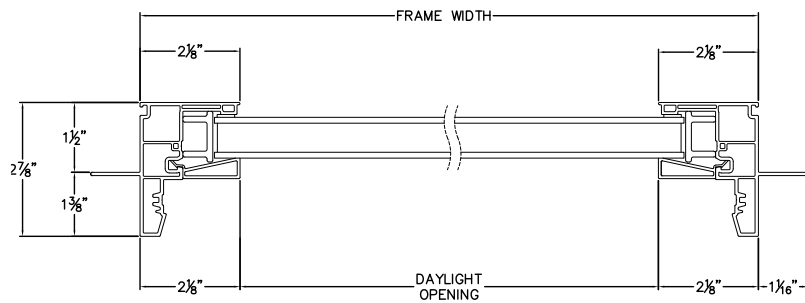
CAD File Scale	View	File Name	Units	Revision
NTS	Horizontal & Vertical	Trinsic_2410_BA_1.375in	Inch	8/2018

More Technical Documents can be found at [milgard.com/professionals](http://milgard.com/professionals)  
Due to continual research and development, details may be changed at any time. ©2018 Milgard Mfg.

### BOTTOM AWNING SERIES 2410



HEAD & SILL



JAMBS

Revit, SketchUp, .PDF and .DWG files can be accessed at  
[milgard.com/professionals/technical-resources](http://milgard.com/professionals/technical-resources)

[Go back to Quick Links](#)

# Awning Window

Double Awning - 1-3/8" Fin Setback

CAD File Scale  
NTS

View  
Horizontal & Vertical

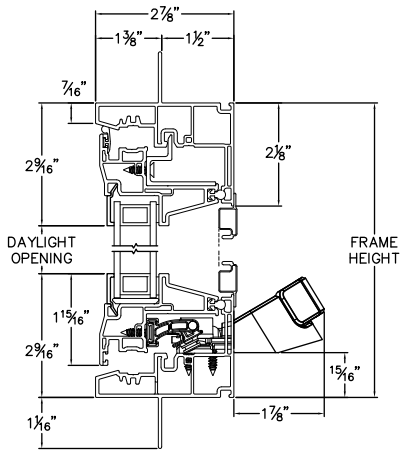
File Name  
Trinsic\_2410\_DA\_1.375in

Units  
Inch

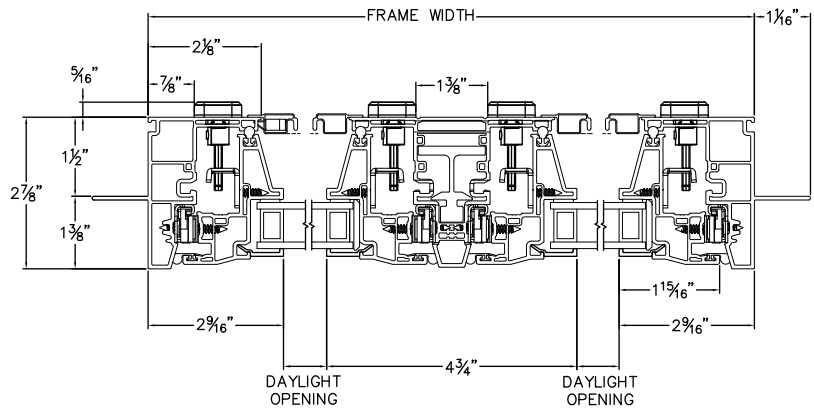
Revision  
8/2018

More Technical Documents can be found at [milgard.com/professionals](http://milgard.com/professionals)  
Due to continual research and development, details may be changed at any time. ©2018 Milgard Mfg.

## DOUBLE AWNING SERIES 2410



HEAD & SILL



JAMBS

Revit, SketchUp, .PDF and .DWG files can be accessed at  
[milgard.com/professionals/technical-resources](http://milgard.com/professionals/technical-resources)

[Go back to Quick Links](#)



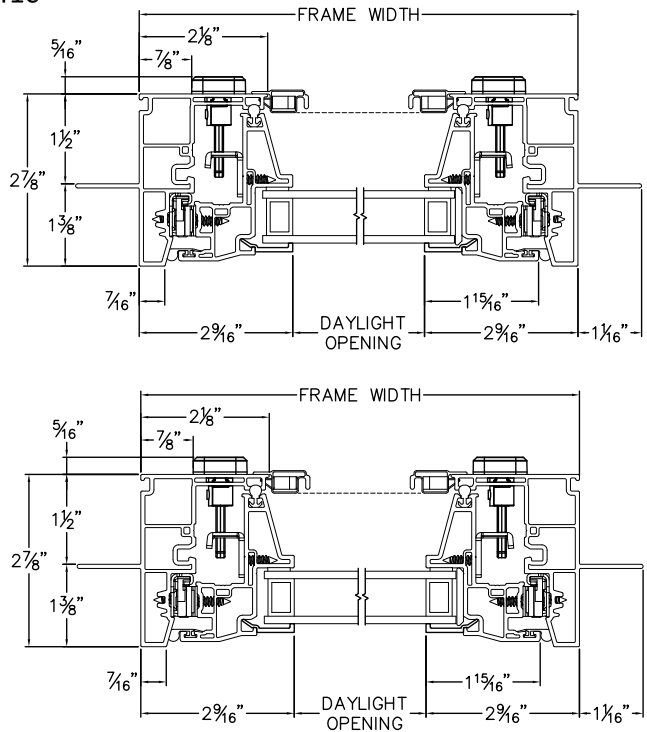
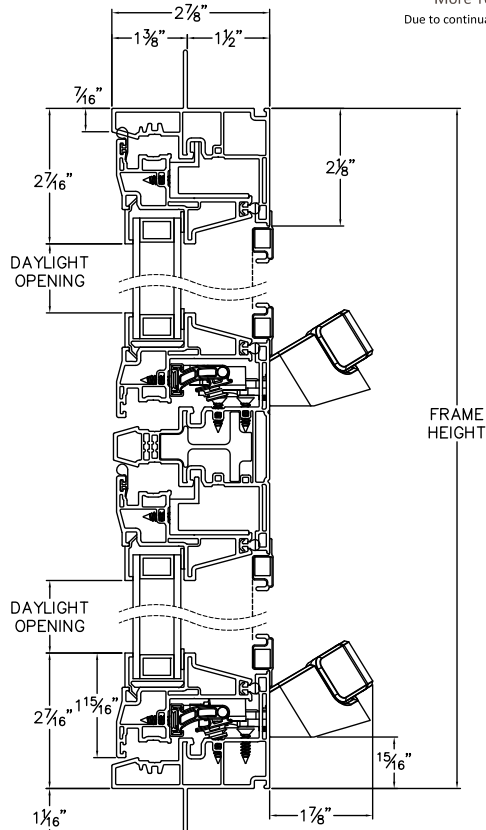
# Awning Window

Full Awning above Full Awning - 1-3/8" Fin Setback

CAD File Scale	View	File Name	Units	Revision
NTS	Horizontal & Vertical	Trinsic_2410_FA2H_1.375in	Inch	8/2018

More Technical Documents can be found at [milgard.com/professionals](http://milgard.com/professionals)  
Due to continual research and development, details may be changed at any time. ©2018 Milgard Mfg.

## AWNING SERIES 2410



Revit, SketchUp, .PDF and .DWG files can be accessed at [milgard.com/professionals/technical-resources](http://milgard.com/professionals/technical-resources)

[Go back to Quick Links](#)

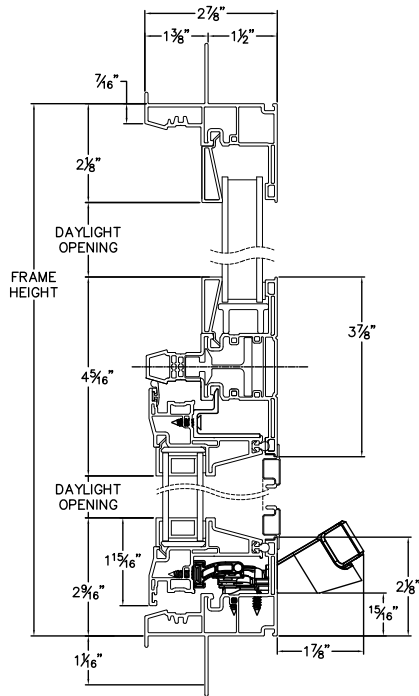
# Awning Window

Full Awning - 1-3/8" Fin Setback with stucco Key

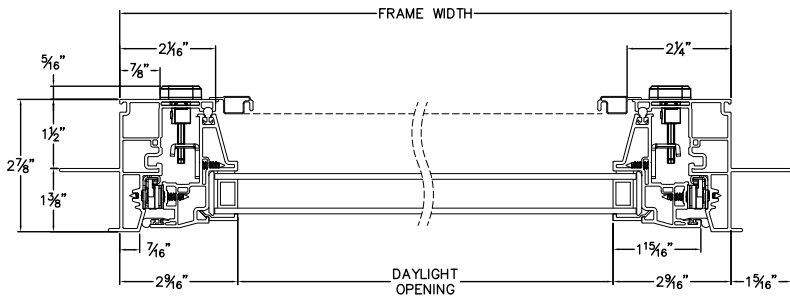
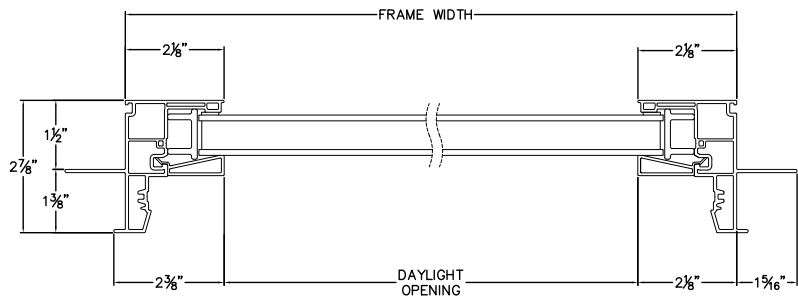
CAD File Scale	View	File Name	Units	Revision
NTS	Horizontal & Vertical	Trinsic_2411_BA_1.375in_stucco	Inch	8/2018

More Technical Documents can be found at [milgard.com/professionals](http://milgard.com/professionals)  
Due to continual research and development, details may be changed at any time. ©2018 Milgard Mfg.

## BOTTOM AWNING SERIES 2411



HEAD SECTION



JAMB SECTION

Revit, SketchUp, .PDF and .DWG files can be accessed at [milgard.com/professionals/technical-resources](http://milgard.com/professionals/technical-resources)

[Go back to Quick Links](#)

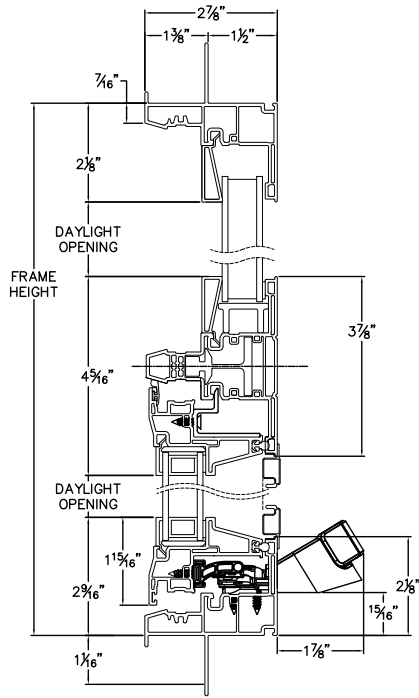
# Awning Window

Bottom Awning - 1-3/8" Fin Setback with stucco key

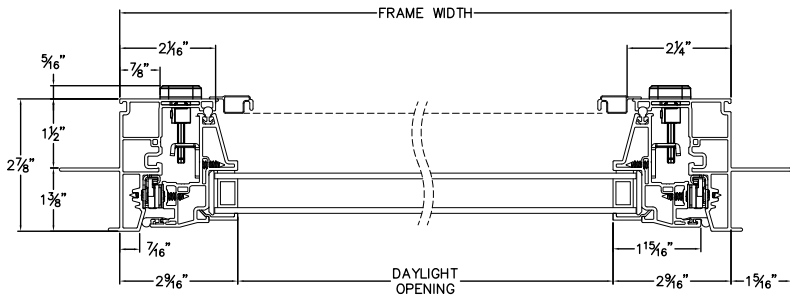
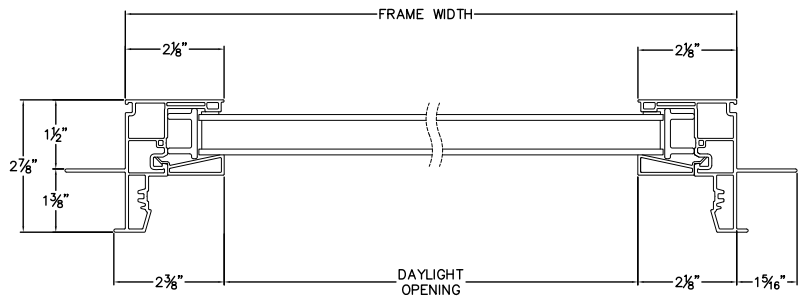
CAD File Scale	View	File Name	Units	Revision
NTS	Horizontal & Vertical	Trinsic_2411_BA_1.375in_stucco	Inch	8/2018

More Technical Documents can be found at [milgard.com/professionals](http://milgard.com/professionals)  
Due to continual research and development, details may be changed at any time. ©2018 Milgard Mfg.

## BOTTOM AWNING SERIES 2411



HEAD & SILL



JAMBS

Revit, SketchUp, .PDF and .DWG files can be accessed at  
[milgard.com/professionals/technical-resources](http://milgard.com/professionals/technical-resources)

[Go back to Quick Links](#)

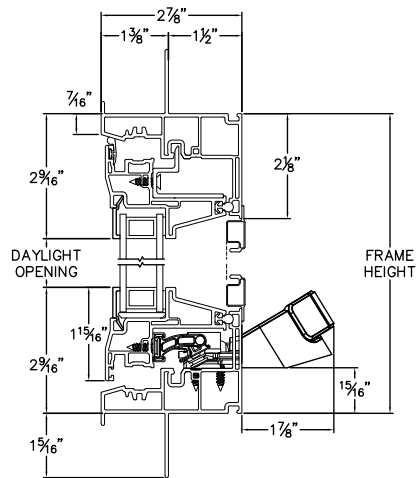
# Awning Window

Double Awning - 1-3/8" Fin Setback with stucco key

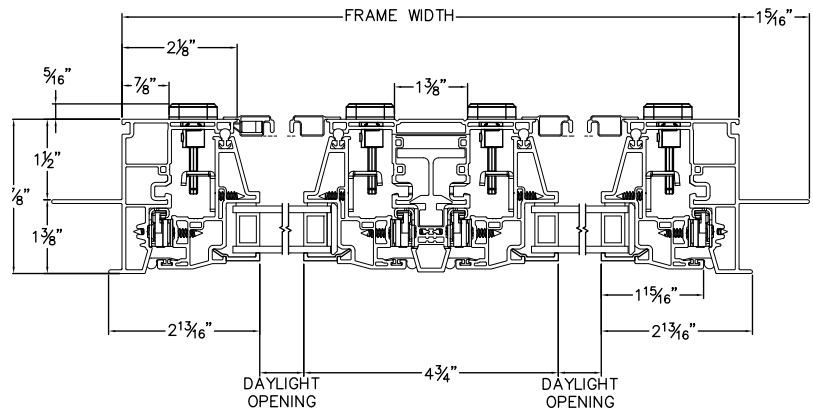
CAD File Scale	View	File Name	Units	Revision
NTS	Horizontal & Vertical	Trinsic_2411_DA_1.375in_stucco	Inch	8/2018

More Technical Documents can be found at [milgard.com/professionals](http://milgard.com/professionals)  
Due to continual research and development, details may be changed at any time. ©2018 Milgard Mfg.

## DOUBLE AWNING SERIES 2411



HEAD & SILL



JAMBS

Revit, SketchUp, .PDF and .DWG files can be accessed at  
[milgard.com/professionals/technical-resources](http://milgard.com/professionals/technical-resources)

[Go back to Quick Links](#)

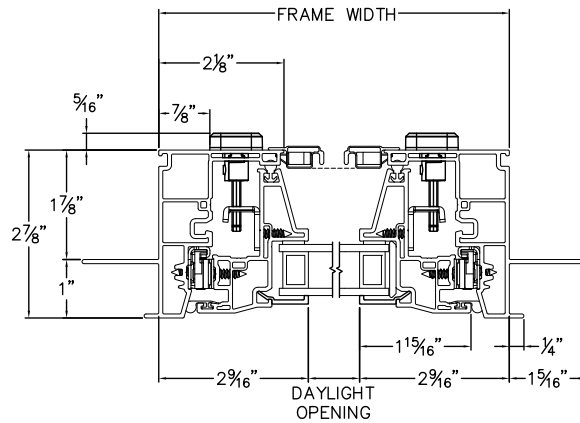
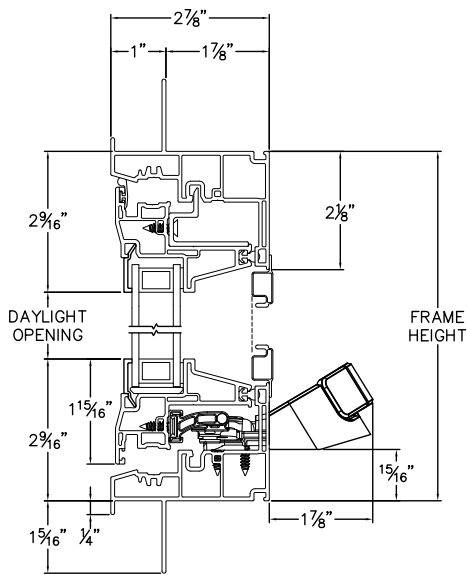
# Awning Window

Full Awning - 1" Fin Setback with stucco key

CAD File Scale	View	File Name	Units	Revision
NTS	Horizontal & Vertical	Trinsic_2430_FA_1in_stucco	Inch	8/2018

More Technical Documents can be found at [milgard.com/professionals](http://milgard.com/professionals)  
Due to continual research and development, details may be changed at any time. ©2018 Milgard Mfg.

## AWNING SERIES 2430



Revit, SketchUp, .PDF and .DWG files can be accessed at  
[milgard.com/professionals/technical-resources](http://milgard.com/professionals/technical-resources)

[Go back to Quick Links](#)



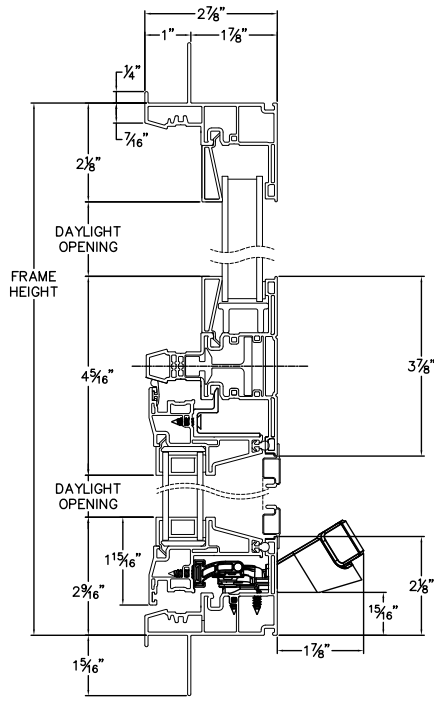
# Awning Window

Bottom Awning - 1" Fin Setback with stucco key

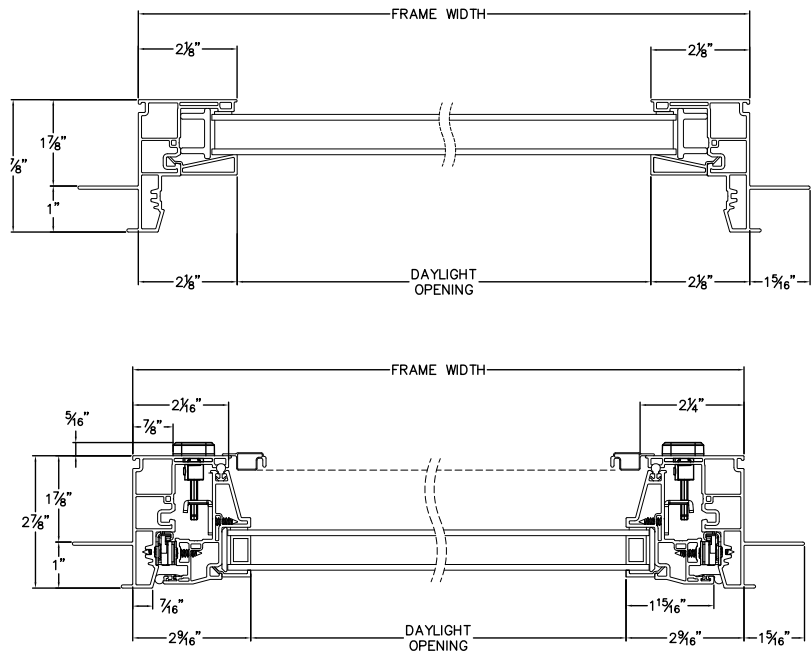
CAD File Scale	View	File Name	Units	Revision
NTS	Horizontal & Vertical	Trinsic_2430_BA_1in_stucco	Inch	8/2018

More Technical Documents can be found at [milgard.com/professionals](http://milgard.com/professionals)  
Due to continual research and development, details may be changed at any time. ©2018 Milgard Mfg.

## BOTTOM AWNING SERIES 2430



HEAD & SILL



IΔMRS

Revit, SketchUp, .PDF and .DWG files can be accessed at  
[milgard.com/professionals/technical-resources](http://milgard.com/professionals/technical-resources)

[Go back to Quick Links](#)

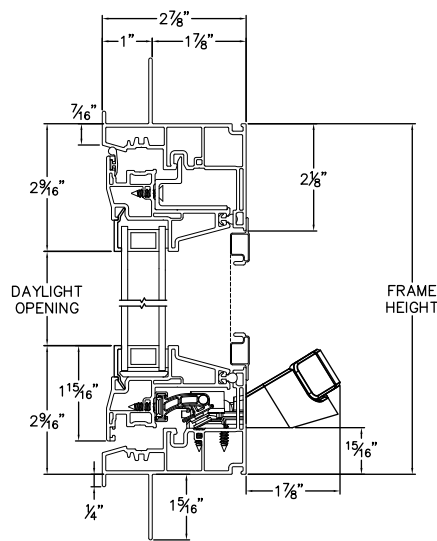
# Awning Window

Double Awning - 1" Fin Setback with stucco key

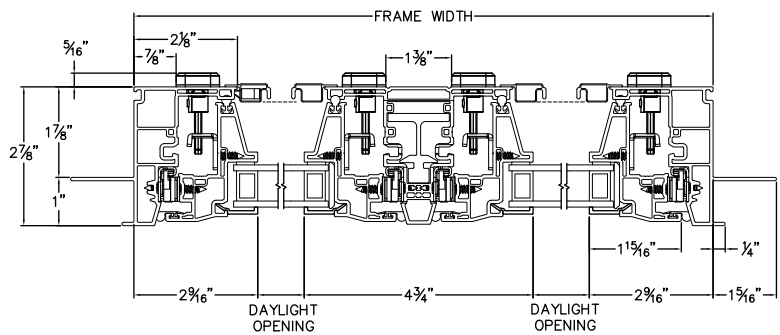
CAD File Scale	View	File Name	Units	Revision
NTS	Horizontal & Vertical	Trinsic_2430_DA_1in_stucco.dwg	Inch	8/2018

More Technical Documents can be found at [milgard.com/professionals](http://milgard.com/professionals)  
Due to continual research and development, details may be changed at any time. ©2018 Milgard Mfg.

## DOUBLE AWNING SERIES 2430



HEAD & SILL



JAMBS

Revit, SketchUp, .PDF and .DWG files can be accessed at  
[milgard.com/professionals/technical-resources](http://milgard.com/professionals/technical-resources)

[Go back to Quick Links](#)

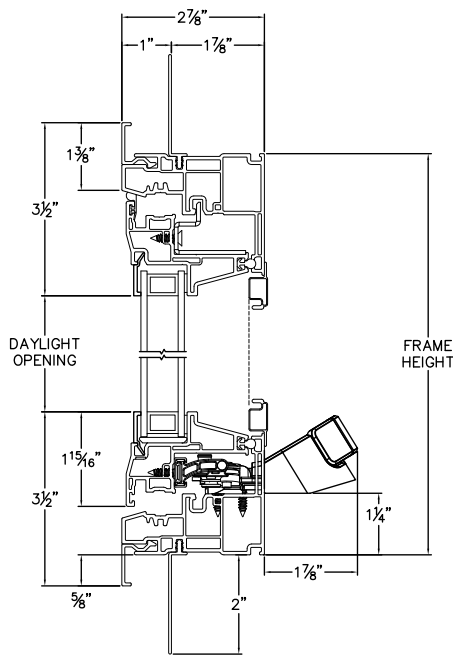
# Awning Window

Full Awning - 1" Fin Setback with 3/4" J-channel

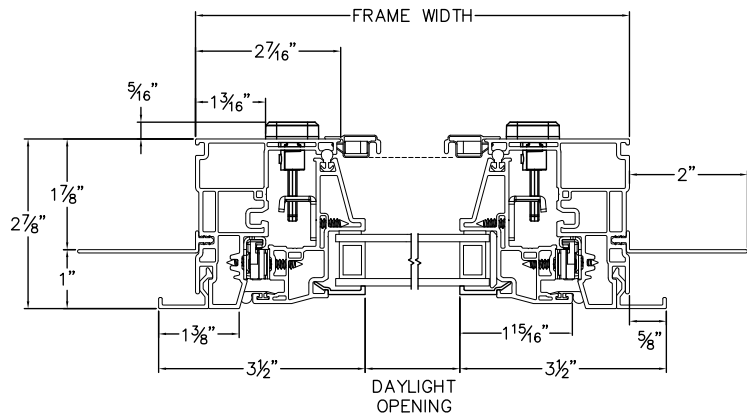
CAD File Scale	View	File Name	Units	Revision
NTS	Horizontal & Vertical	Trinsic_2430J_FA_1in_j-channel	Inch	8/2018

More Technical Documents can be found at [milgard.com/professionals](http://milgard.com/professionals)  
Due to continual research and development, details may be changed at any time. ©2018 Milgard Mfg.

## AWNING SERIES 2430J



HEAD & SILL



JAMBS

Revit, SketchUp, .PDF and .DWG files can be accessed at  
[milgard.com/professionals/technical-resources](http://milgard.com/professionals/technical-resources)

[Go back to Quick Links](#)

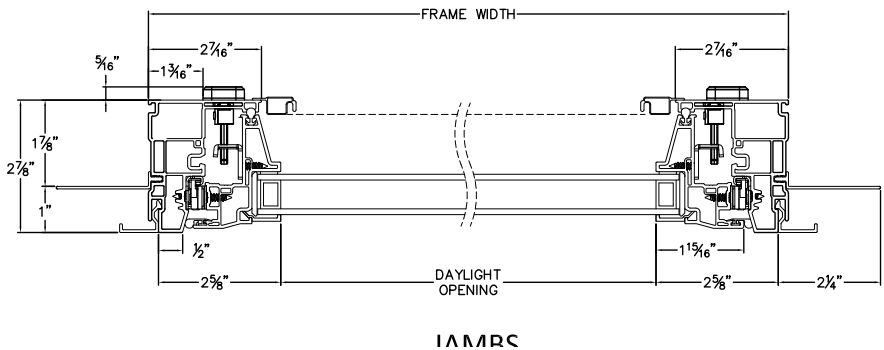
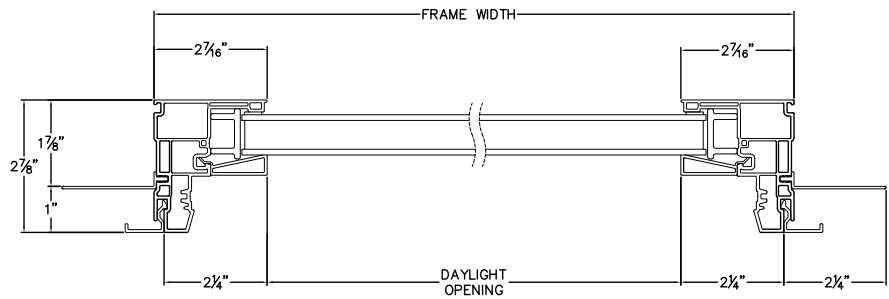
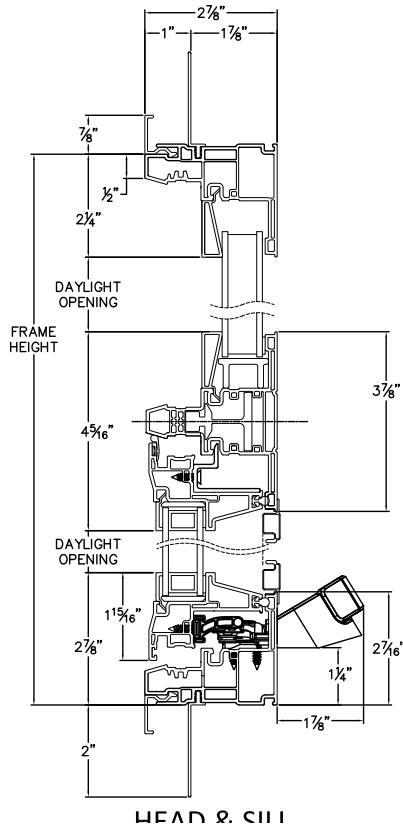
# Awning Window

Bottom Awning - 1" Fin Setback with 3/4" J-channel

CAD File Scale	View	File Name	Units	Revision
NTS	Horizontal & Vertical	Trinsic_2430J_BA_1in_j-channel	Inch	8/2018

More Technical Documents can be found at [milgard.com/professionals](http://milgard.com/professionals)  
Due to continual research and development, details may be changed at any time. ©2018 Milgard Mfg.

## BOTTOM AWNING SERIES 2430J



Revit, SketchUp, .PDF and .DWG files can be accessed at  
[milgard.com/professionals/technical-resources](http://milgard.com/professionals/technical-resources)

[Go back to Quick Links](#)

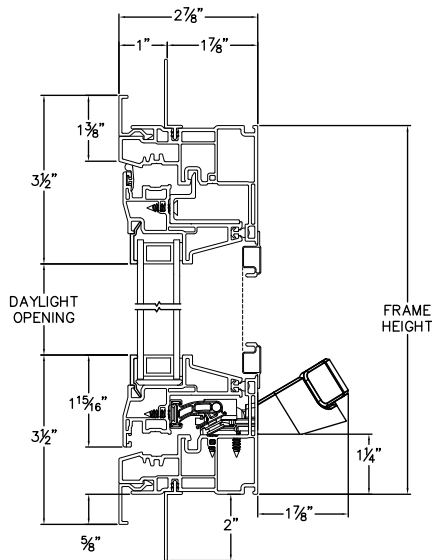
# Awning Window

Double Awning - 1" Fin Setback with 3/4" J-channel

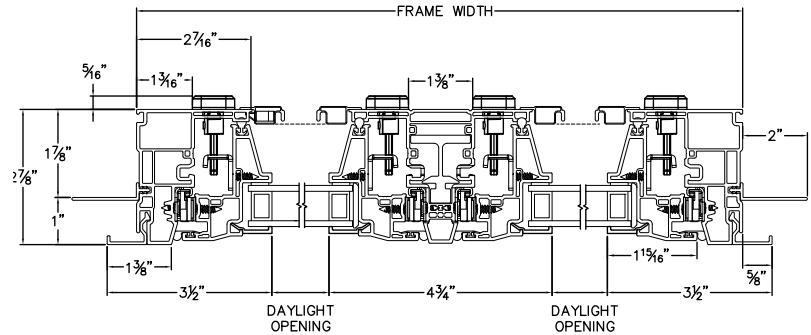
CAD File Scale	View	File Name	Units	Revision
NTS	Horizontal & Vertical	Trinsic_2430J_DA_1in_j-channel	Inch	8/2018

More Technical Documents can be found at [milgard.com/professionals](http://milgard.com/professionals)  
Due to continual research and development, details may be changed at any time. ©2018 Milgard Mfg.

## DOUBLE AWNING SERIES 2430J



HEAD & SILL



JAMBS

Revit, SketchUp, .PDF and .DWG files can be accessed at [milgard.com/professionals/technical-resources](http://milgard.com/professionals/technical-resources)

[Go back to Quick Links](#)



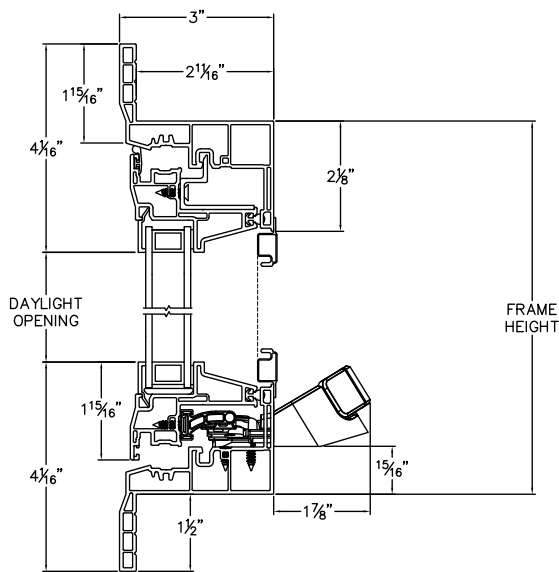
# Awning Window

Full Awning - 1-1/2" Contour Z-bar frame

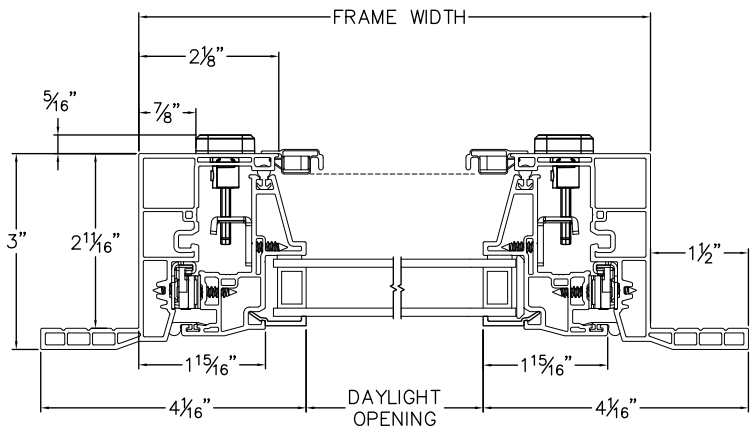
CAD File Scale	View	File Name	Units	Revision
NTS	Horizontal & Vertical	Trinsic_2470_FA_1.5in_z-bar	Inch	8/2018

More Technical Documents can be found at [milgard.com/professionals](http://milgard.com/professionals)  
Due to continual research and development, details may be changed at any time. ©2018 Milgard Mfg.

## AWNING SERIES 2470



HEAD & SILL



JAMBS

Revit, SketchUp, .PDF and .DWG files can be accessed at  
[milgard.com/professionals/technical-resources](http://milgard.com/professionals/technical-resources)

[Go back to Quick Links](#)

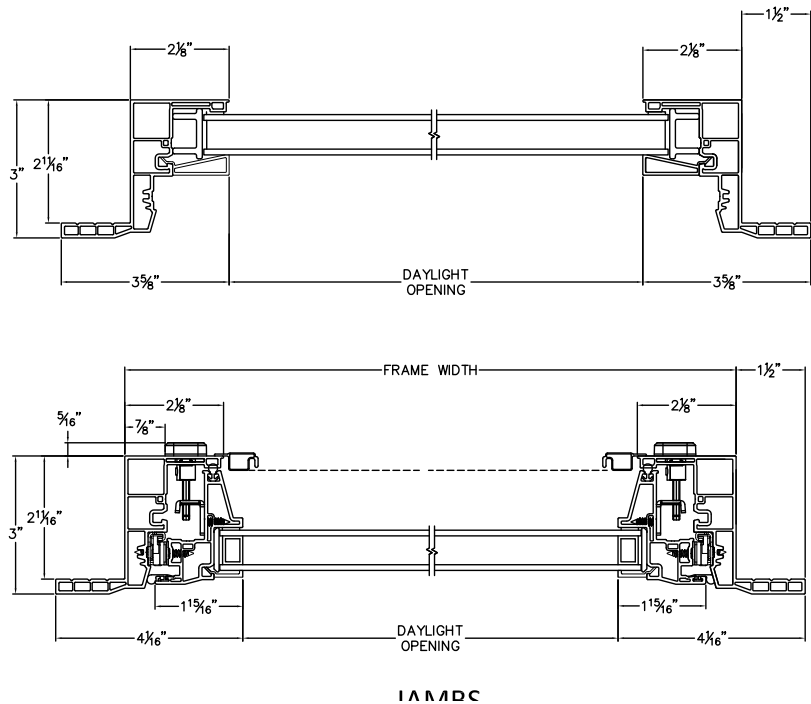
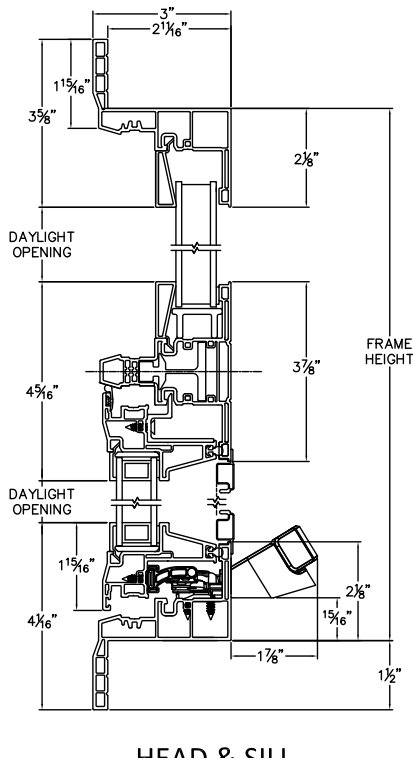
# Awning Window

## Bottom Awning - 1-1/2" Contour Z-bar frame

CAD File Scale	View	File Name	Units	Revision
NTS	Horizontal & Vertical	Trinsic_2470_BA_1.5in_z-bar	Inch	8/2018

More Technical Documents can be found at [milgard.com/professionals](http://milgard.com/professionals)  
Due to continual research and development, details may be changed at any time. ©2018 Milgard Mfg.

### BOTTOM AWNING SERIES 2470



Revit, SketchUp, .PDF and .DWG files can be accessed at [milgard.com/professionals/technical-resources](http://milgard.com/professionals/technical-resources)

[Go back to Quick Links](#)

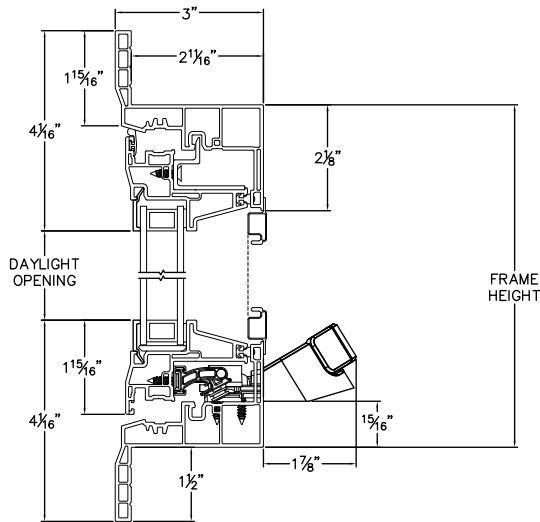
# Awning Window

Double Awning - 1-1/2" Contour Z-bar frame

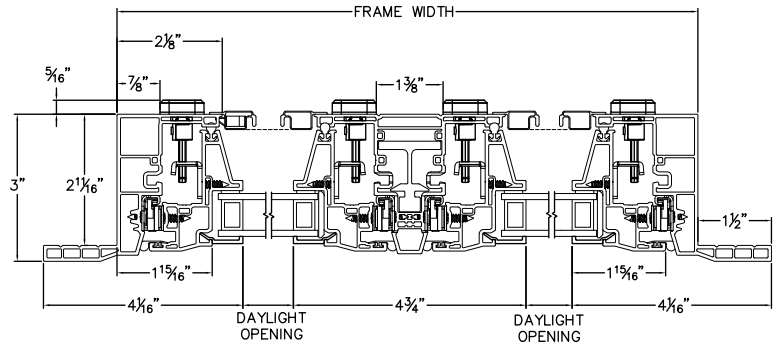
CAD File Scale	View	File Name	Units	Revision
NTS	Horizontal & Vertical	Trinsic_2470_DA_1.5in_z-bar	Inch	8/2018

More Technical Documents can be found at [milgard.com/professionals](http://milgard.com/professionals)  
Due to continual research and development, details may be changed at any time. ©2018 Milgard Mfg.

## DOUBLE AWNING SERIES 2470



HEAD & SILL



JAMBS

Revit, SketchUp, .PDF and .DWG files can be accessed at  
[milgard.com/professionals/technical-resources](http://milgard.com/professionals/technical-resources)

[Go back to Quick Links](#)

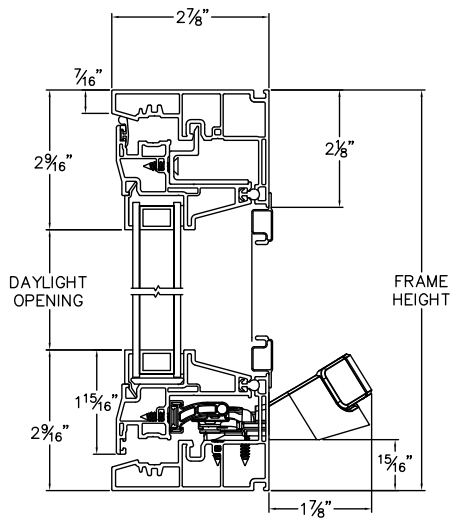
# Awning Window

## Full Awning - Block Frame

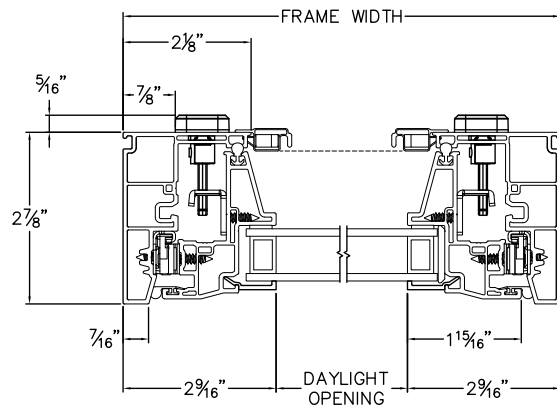
CAD File Scale	View	File Name	Units	Revision
NTS	Horizontal & Vertical	Trinsic_2410_FA_block	Inch	8/2018

More Technical Documents can be found at [milgard.com/professionals](http://milgard.com/professionals)  
Due to continual research and development, details may be changed at any time. ©2018 Milgard Mfg.

### AWNING SERIES 2410



HEAD & SILL



JAMBS

Revit, SketchUp, .PDF and .DWG files can be accessed at  
[milgard.com/professionals/technical-resources](http://milgard.com/professionals/technical-resources)

[Go back to Quick Links](#)

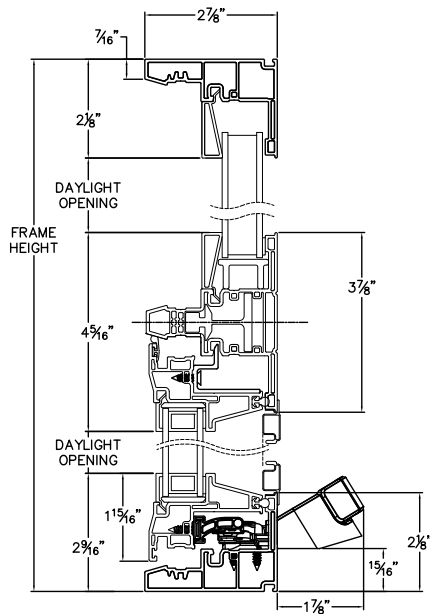
# Awning Window

## Bottom Awning - Block Frame

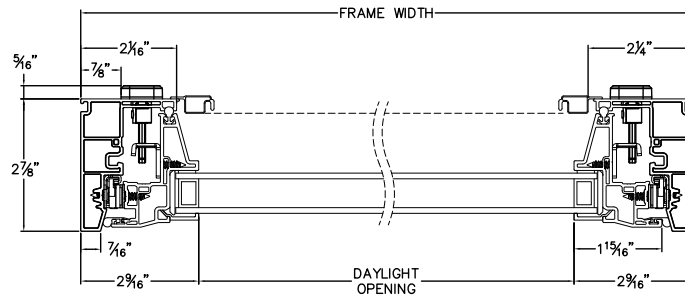
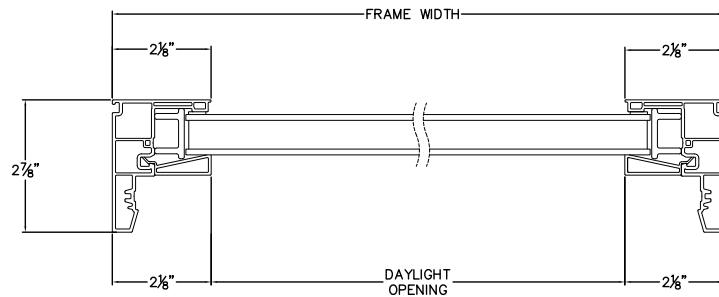
CAD File Scale	View	File Name	Units	Revision
NTS	Horizontal & Vertical	Trinsic_2410_BA_block	Inch	8/2018

More Technical Documents can be found at [milgard.com/professionals](http://milgard.com/professionals)  
Due to continual research and development, details may be changed at any time. ©2018 Milgard Mfg.

### BOTTOM AWNING SERIES 2410



LEAD 2. C111



I AMDC

Revit, SketchUp, .PDF and .DWG files can be accessed at  
[milgard.com/professionals/technical-resources](http://milgard.com/professionals/technical-resources)

[Go back to Quick Links](#)

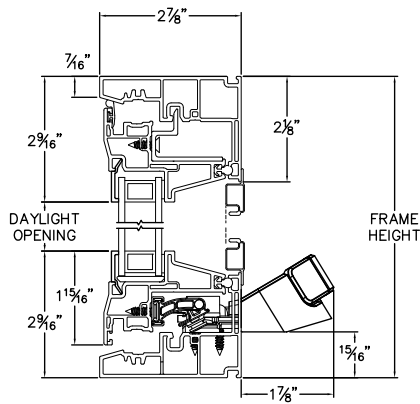
# Awning Window

## Double Awning - Block Frame

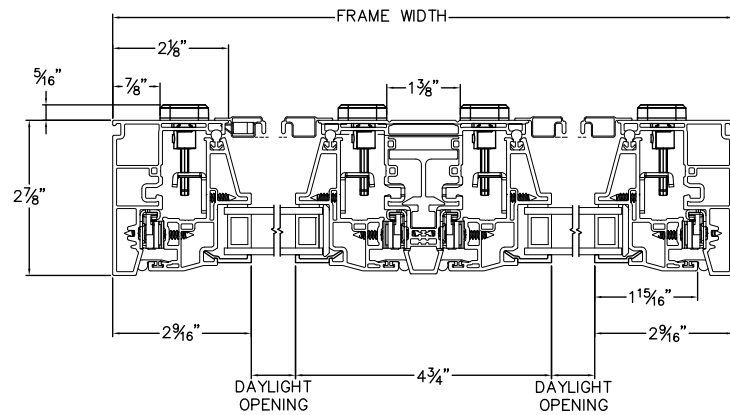
CAD File Scale	View	File Name	Units	Revision
NTS	Horizontal & Vertical	Trinsic_2410_DA_block	Inch	8/2018

More Technical Documents can be found at [milgard.com/professionals](http://milgard.com/professionals)  
Due to continual research and development, details may be changed at any time. ©2018 Milgard Mfg.

### DOUBLE AWNING SERIES 2410



HFAD & SILL



IAMRS

Revit, SketchUp, .PDF and .DWG files can be accessed at  
[milgard.com/professionals/technical-resources](http://milgard.com/professionals/technical-resources)

[Go back to Quick Links](#)

# Casement Window



The Trinsic™ Series vinyl (PVC) Casement window blends the energy efficiency and low maintenance of vinyl with clean lines and even sightlines.

The result is a window with maximum glass area. Available in white, tan, and clay (select regions), as well as premium painted exteriors. The windows will maintain their color and shape and can be constructed to your exact size specifications.

Please also see:

[Components](#)

[Options](#)

[Hardware](#)

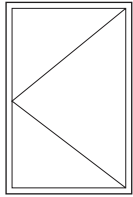
[Premium Exterior Vinyl Finishes](#)

[Full Lifetime Warranty](#)

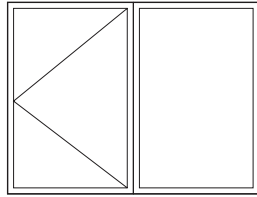


# Casement Window

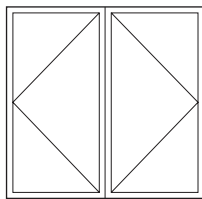
## Configurations



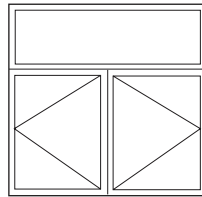
Full Casement



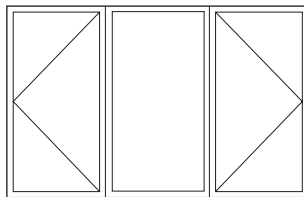
Single Casement



Double Casement



Double bottom Casement



Double Casement/Picture

## Minimum/Maximum Sizes

### Full Casement

- Min 1'6" Max 3'5"

### Single Casement

- Min 2'3" Max 6'6"

### Double Casement Picture

- Min 3'8" Max 12'5"

## Available Frame Styles

- 1-3/8" Fin Setback
- 1" Fin Setback with J-channel
- 1" Fin Setback with Stucco Key
- 1-1/2" Contour Z-bar
- Block Frame (no fin)

*NOTE: For engineering approval contact your Milgard representative for any configuration over 40 square feet. Each Milgard Manufacturing plant reserves the right to alter or change sizes and configurations according to location capabilities. Ask your Milgard rep about specialty applications. Windows over 40 square feet shipped open for field glazing. Varies by location.*

*Not all frame styles available at all Milgard locations. Contact your Milgard Representative for more information.*



# Drawings - Quick Links

## Casement Window

34—Single Casement - 1-3/8" Fin Setback

35—Full Casement - 1-3/8" Fin Setback

36—Double Casement - 1-3/8" Fin Setback

37—Double Bottom Casement - 1-3/8" Fin Setback

38—Double Casement with Picture - 1-3/8" Fin Setback

39—Single Casement - 1" Fin Setback with stucco key

40—Full Casement - 1" Fin Setback with stucco key

41—Double Casement - 1" Fin Setback with stucco key

42—Single Casement - 1" Fin Setback, 3/4" Flat J-channel

43—Full Casement - 1" Fin Setback, 3/4" Flat J-channel

44—Double Casement - 1" Fin Setback, 3/4" Flat J-channel

45—Single Casement - 1-1/2" Contour Z-bar

46—Full Casement - 1-1/2" Contour Z-bar

47—Double Casement - 1-1/2" Contour Z-bar

48—Single Casement - Block Frame

49—Full Casement - Block Frame

50—Double Casement - Block Frame

Revit, SketchUp, .PDF and .DWG files can be accessed at [milgard.com/professionals/technical-resources](http://milgard.com/professionals/technical-resources)

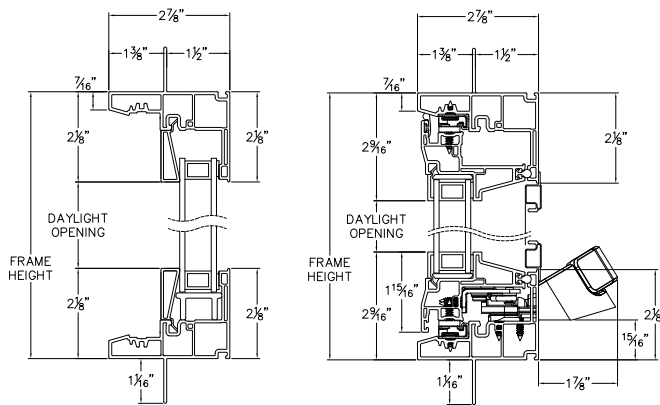
# Casement Window

Single Casement - 1-3/8" Fin Setback

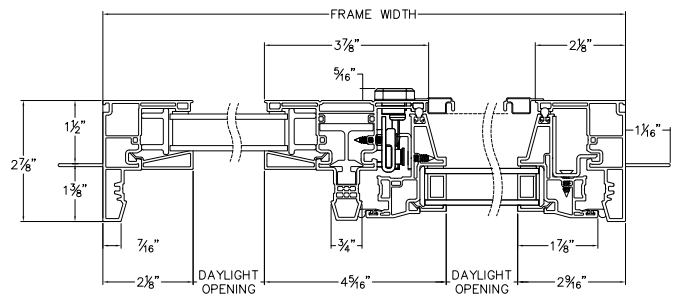
CAD File Scale	View	File Name	Units	Revision
NTS	Horizontal & Vertical	Trinsic_2510_SC_1.375in	Inch	8/2018

More Technical Documents can be found at [milgard.com/professionals](http://milgard.com/professionals)  
Due to continual research and development, details may be changed at any time. ©2018 Milgard Mfg.

**CASEMENT  
SERIES 2510**



HEAD & SILL



JAMBS

Revit, SketchUp, .PDF and .DWG files can be accessed at  
[milgard.com/professionals/technical-resources](http://milgard.com/professionals/technical-resources)

[Go back to Quick Links](#)

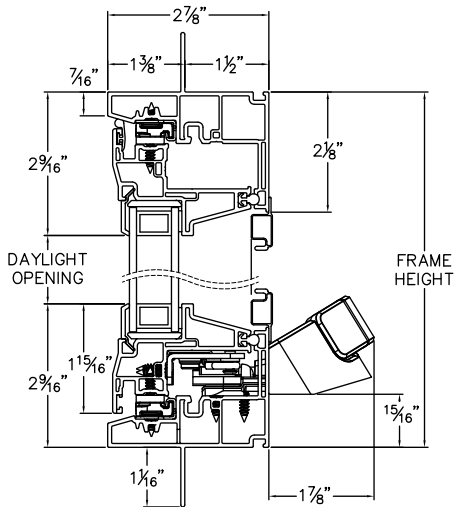
# Casement Window

Full Casement - 1-3/8" Fin Setback

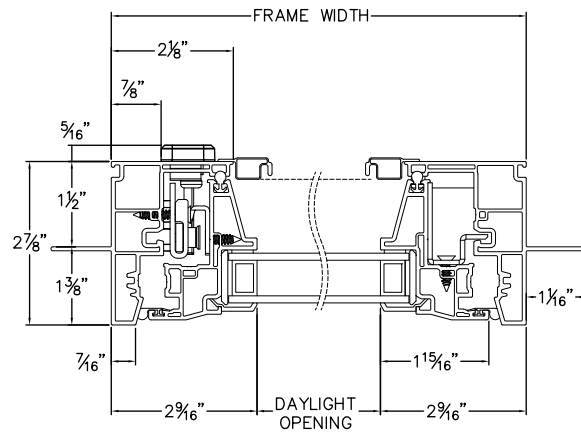
CAD File Scale	View	File Name	Units	Revision
NTS	Horizontal & Vertical	Trinsic_2510_FC_1.375in	Inch	8/2018

More Technical Documents can be found at [milgard.com/professionals](http://milgard.com/professionals)  
Due to continual research and development, details may be changed at any time. ©2018 Milgard Mfg.

## CASEMENT SERIES 2510



HEAD & SILL



JAMBS

Revit, SketchUp, .PDF and .DWG files can be accessed at  
[milgard.com/professionals/technical-resources](http://milgard.com/professionals/technical-resources)

[Go back to Quick Links](#)

# Casement Window

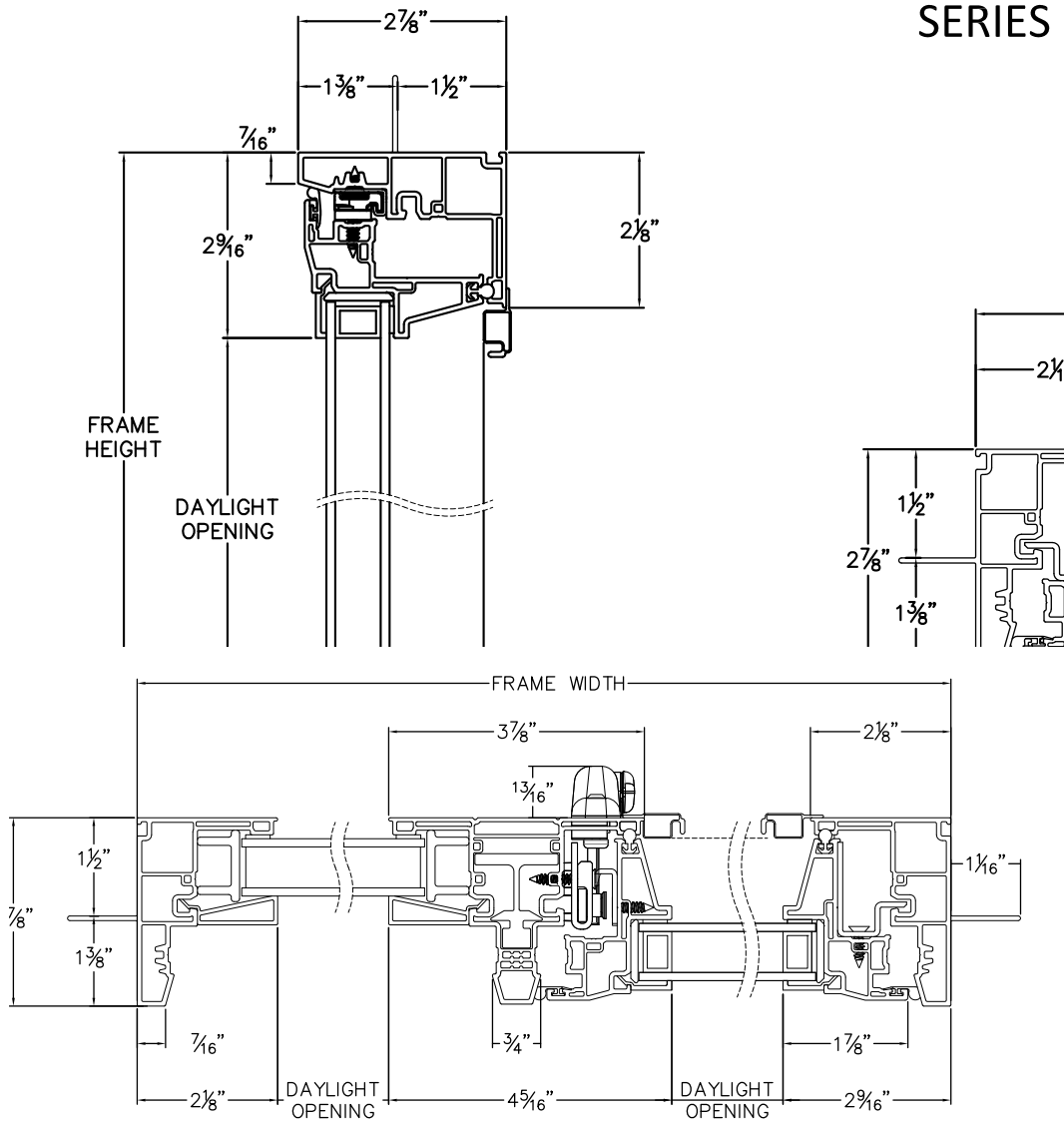
Double Casement - 1-3/8" Fin Setback

CAD File Scale	View	File Name	Units
NTS	Horizontal & Vertical	StyleLine_6510_SC_1.375in	Inch

More Technical Documents can be found at [milgard.com/professionals](http://milgard.com/professionals)  
Due to continual research and development, details may be changed at any time. ©2013 Milgard Mfg.

## CASEMENT SERIES 6510

## SERIES



Revit, SketchUp, .PDF and .DWG files can be accessed at [milgard.com/professionals/technical-resources](http://milgard.com/professionals/technical-resources)

[Go back to Quick Links](#)

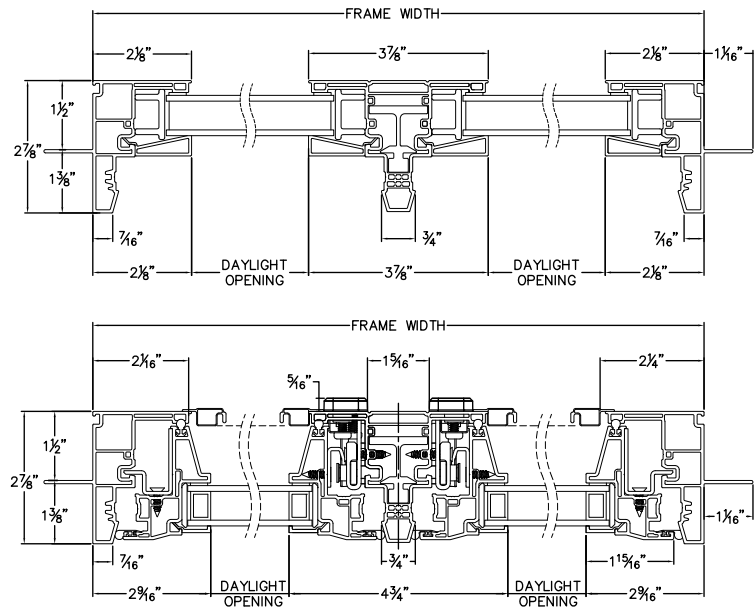
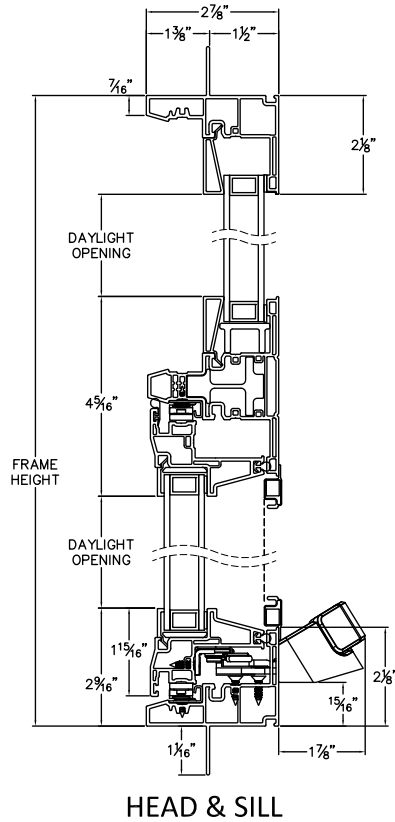
# Casement Window

Double Bottom Casement - 1-3/8" Fin Setback

CAD File Scale	View	File Name	Units	Revision
NTS	Horizontal & Vertical	Trinsic_2510_DBC2_1.375in	Inch	8/2018

More Technical Documents can be found at [milgard.com/professionals](http://milgard.com/professionals)  
Due to continual research and development, details may be changed at any time. ©2018 Milgard Mfg.

## CASEMENT SERIES 2510



**JAMBS**

Revit, SketchUp, .PDF and .DWG files can be accessed at  
[milgard.com/professionals/technical-resources](http://milgard.com/professionals/technical-resources)

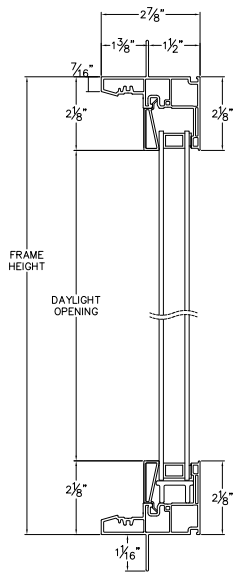
[Go back to Quick Links](#)

# Casement Window

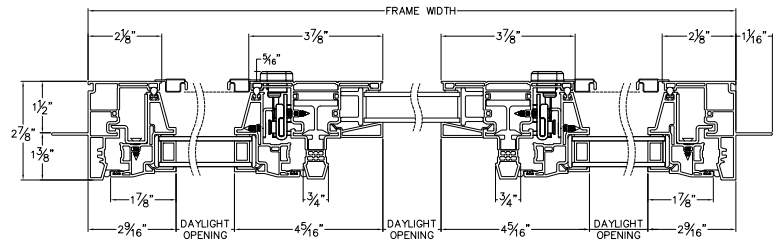
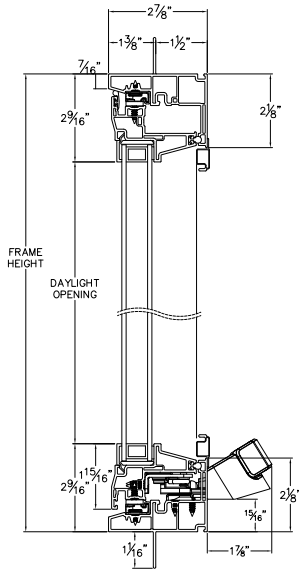
## Double Casement with Picture - 1-3/8" Fin Setback

Due to continual research and development, details may be changed at any time. ©2018 Milgard Mfg.

### CASEMENT SERIES 2510



HEAD & SILL



JAMBS

Revit, SketchUp, .PDF and .DWG files can be accessed at  
[milgard.com/professionals/technical-resources](http://milgard.com/professionals/technical-resources)

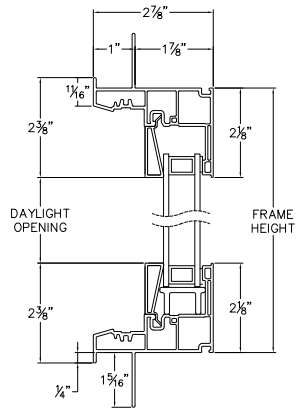
[Go back to Quick Links](#)

# Casement Window

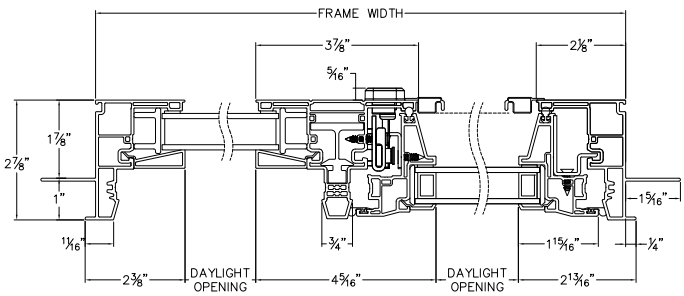
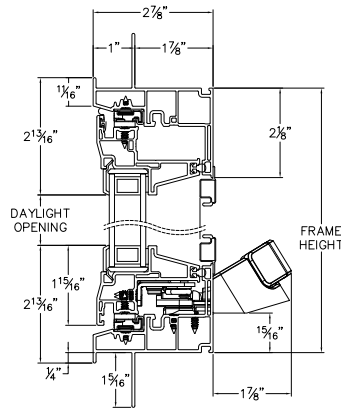
Single Casement - 1" Fin Setback with stucco key

Due to continual research and development, details may be changed at any time. ©2018 Milgard Mfg.

CASEMENT  
SERIES 2530



HEAD & SILL



JAMBS

Revit, SketchUp, .PDF and .DWG files can be accessed at  
[milgard.com/professionals/technical-resources](http://milgard.com/professionals/technical-resources)

[Go back to Quick Links](#)

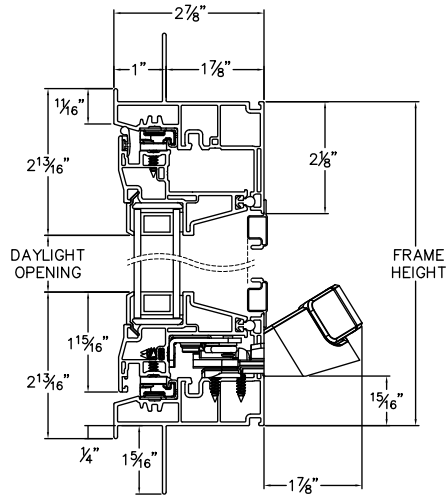
# Casement Window

Full Casement - 1" Fin Setback with stucco key

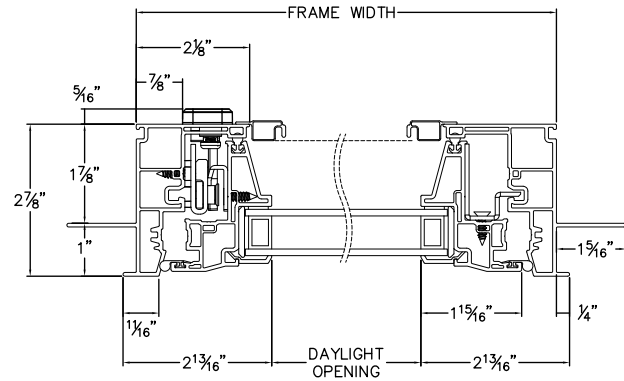
CAD File Scale	View	File Name	Units	Revision
NTS	Horizontal & Vertical	Trinsic_2530_FC_1in_stucco.dwg	Inch	8/2018

More Technical Documents can be found at [milgard.com/professionals](http://milgard.com/professionals)  
Due to continual research and development, details may be changed at any time. ©2018 Milgard Mfg.

## CASEMENT SERIES 2530



HEAD & SILL



JAMBS

Revit, SketchUp, .PDF and .DWG files can be accessed at  
[milgard.com/professionals/technical-resources](http://milgard.com/professionals/technical-resources)

[Go back to Quick Links](#)



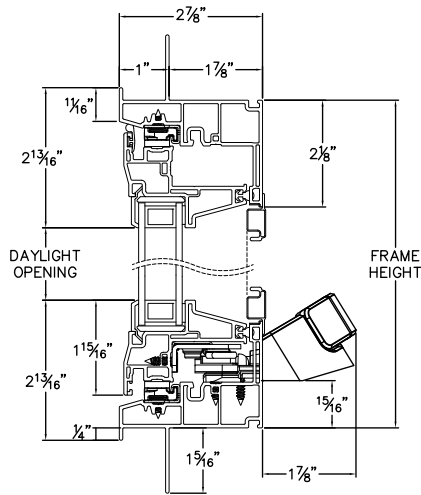
# Casement Window

Double Casement - 1" Fin Setback with stucco key

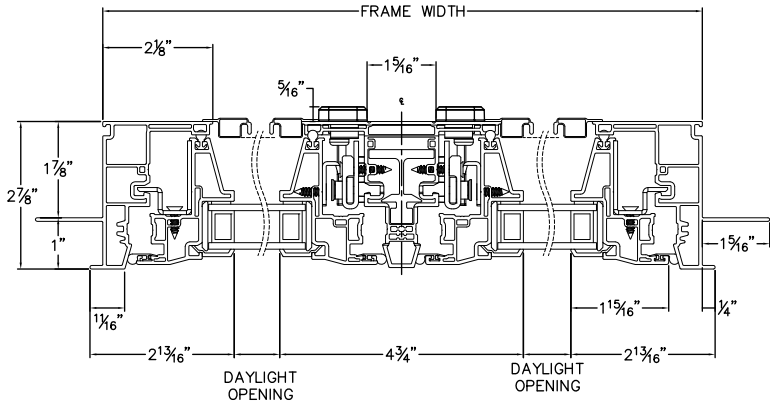
CAD File Scale	View	File Name	Units	Revision
NTS	Horizontal & Vertical	Trinsic_2530_DC_1in_stucco	Inch	8/2018

More Technical Documents can be found at [milgard.com/professionals](http://milgard.com/professionals)  
Due to continual research and development, details may be changed at any time. ©2018 Milgard Mfg.

## DOUBLE CASEMENT SERIES 2530



HEAD & SILL



JAMBS

Revit, SketchUp, .PDF and .DWG files can be accessed at  
[milgard.com/professionals/technical-resources](http://milgard.com/professionals/technical-resources)

[Go back to Quick Links](#)

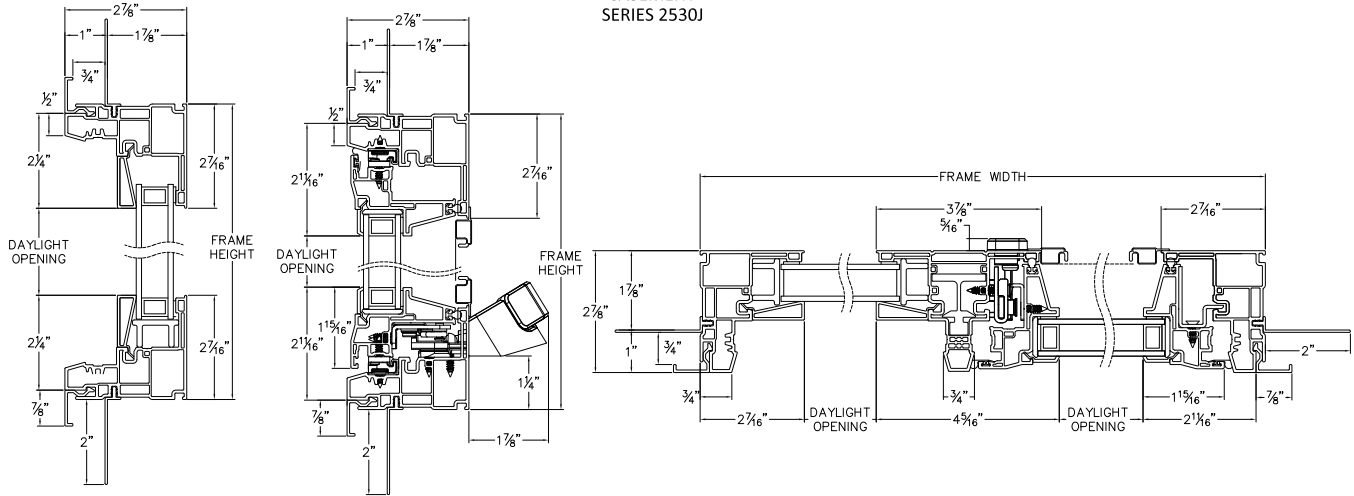
# Casement Window

Single Casement - 1" Fin Setback, 3/4" Flat J-channel

CAD File Scale	View	File Name	Units	Revision
NTS	Horizontal & Vertical	Trinsic_2530J_SC_1in_J-channel	Inch	8/2018

More Technical Documents can be found at [milgard.com/professionals](http://milgard.com/professionals)  
Due to continual research and development, details may be changed at any time. ©2018 Milgard Mfg.

## CASEMENT SERIES 2530J



HEAD & SILL

JAMBS

Revit, SketchUp, .PDF and .DWG files can be accessed at  
[milgard.com/professionals/technical-resources](http://milgard.com/professionals/technical-resources)

[Go back to Quick Links](#)

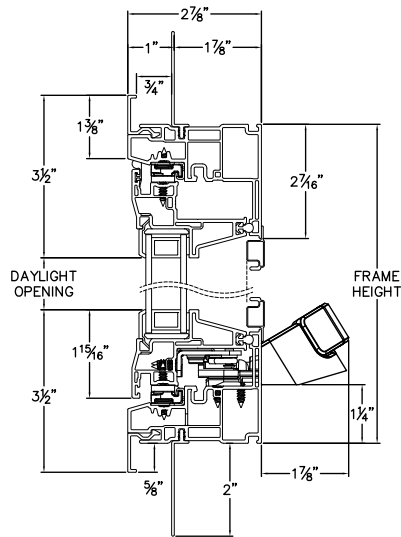
# Casement Window

Full Casement - 1" Fin Setback, 3/4" Flat J-channel

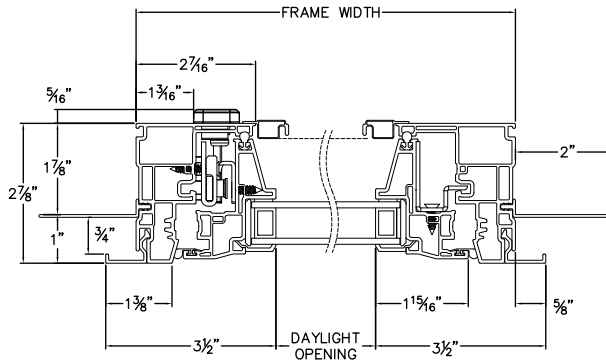
CAD File Scale	View	File Name	Units	Revision
NTS	Horizontal & Vertical	Trinsic_2530J_FC_1in_j-channel	Inch	8/2018

More Technical Documents can be found at [milgard.com/professionals](http://milgard.com/professionals)  
Due to continual research and development, details may be changed at any time. ©2018 Milgard Mfg.

## CASEMENT SERIES 2530J



HEAD & SILL



JAMBS

Revit, SketchUp, .PDF and .DWG files can be accessed at  
[milgard.com/professionals/technical-resources](http://milgard.com/professionals/technical-resources)

[Go back to Quick Links](#)

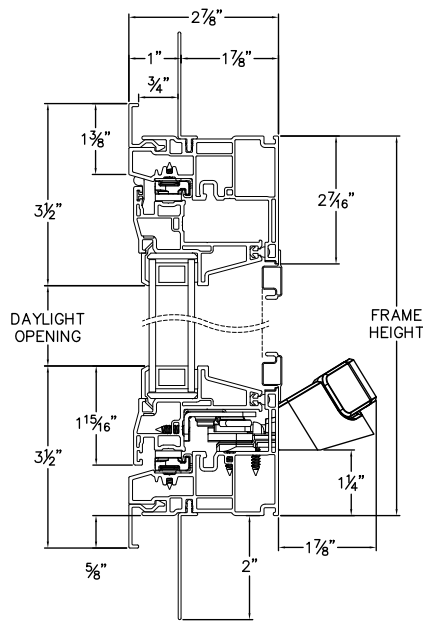
# Casement Window

Double Casement - 1" Fin Setback, 3/4" Flat J-channel

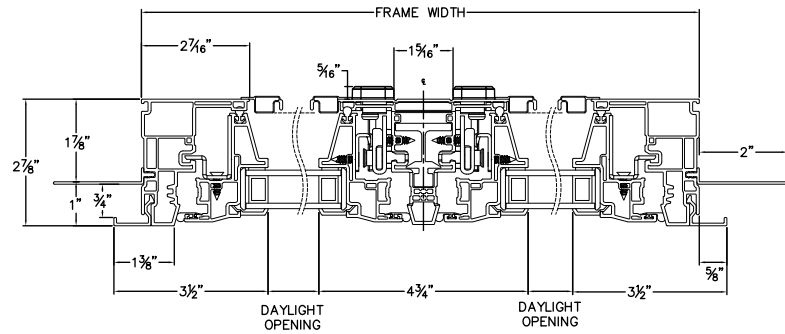
CAD File Scale	View	File Name	Units	Revision
NTS	Horizontal & Vertical	Trinsic_2530J_DC_1in_j-channel	Inch	8/2018

More Technical Documents can be found at [milgard.com/professionals](http://milgard.com/professionals)  
Due to continual research and development, details may be changed at any time. ©2018 Milgard Mfg.

## DOUBLE CASEMENT SERIES 2530J



HEAD & SILL



JAMBS

Revit, SketchUp, .PDF and .DWG files can be accessed at  
[milgard.com/professionals/technical-resources](http://milgard.com/professionals/technical-resources)

[Go back to Quick Links](#)

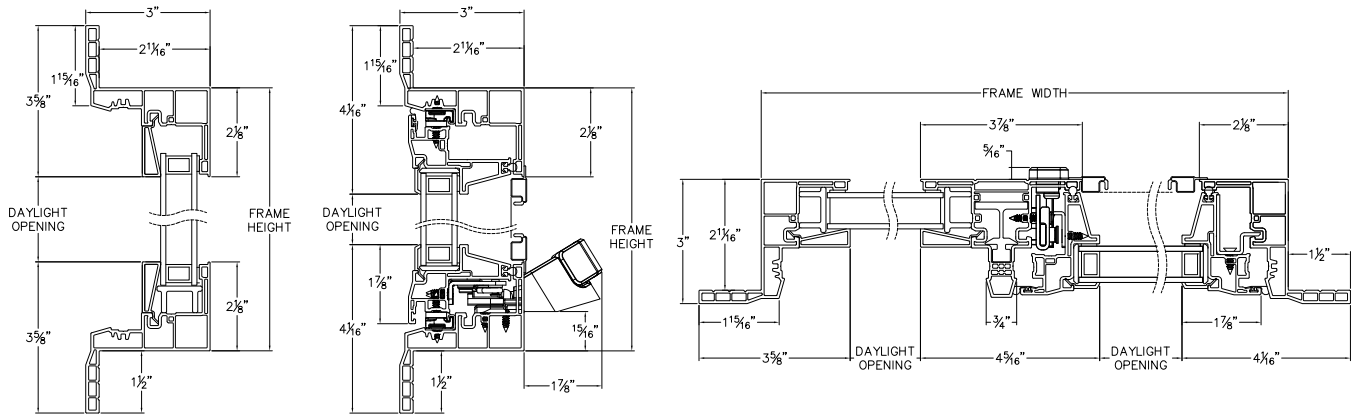
# Casement Window

## Single Casement - 1-1/2" Contour Z-bar

CAD File Scale	View	File Name	Units	Revision
NTS	Horizontal & Vertical	Trinsic_2570_SC_1.5in_z-bar	Inch	8/2018

More Technical Documents can be found at [milgard.com/professionals](http://milgard.com/professionals)  
Due to continual research and development, details may be changed at any time. ©2018 Milgard Mfg.

### CASEMENT SERIES 2570



HEAD & SILL

JAMBS

Revit, SketchUp, .PDF and .DWG files can be accessed at  
[milgard.com/professionals/technical-resources](http://milgard.com/professionals/technical-resources)

[Go back to Quick Links](#)

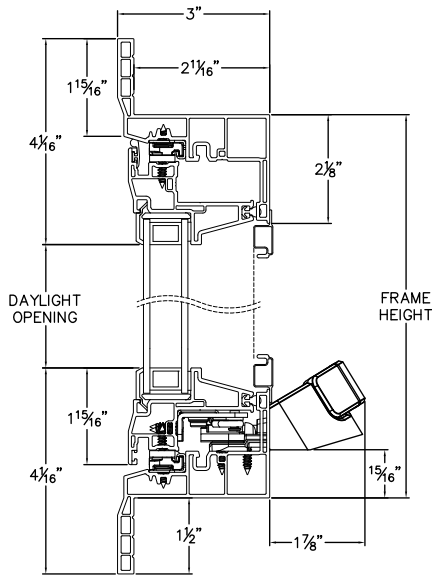
# Casement Window

Full Casement - 1-1/2" Contour Z-bar

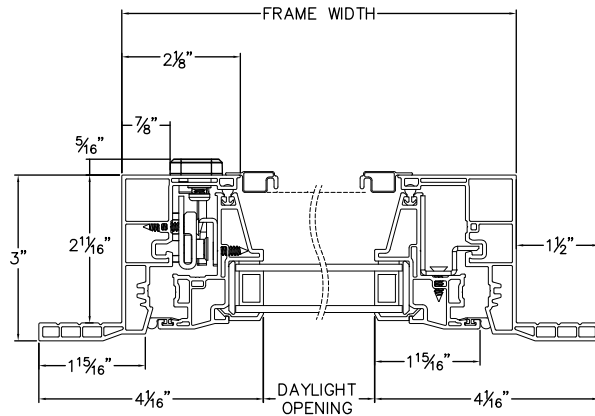
CAD File Scale	View	File Name	Units	Revision
NTS	Horizontal & Vertical	Trinsic_2570_FC_1.5in_z-bar	Inch	8/2018

More Technical Documents can be found at [milgard.com/professionals](http://milgard.com/professionals)  
Due to continual research and development, details may be changed at any time. ©2018 Milgard Mfg.

## CASEMENT SERIES 2570



HEAD & SILL



JAMBS

Revit, SketchUp, .PDF and .DWG files can be accessed at  
[milgard.com/professionals/technical-resources](http://milgard.com/professionals/technical-resources)

[Go back to Quick Links](#)

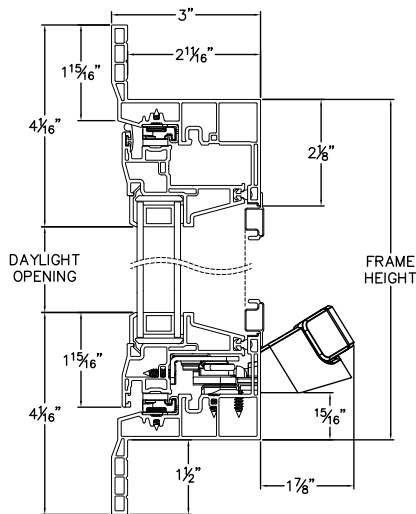
# Casement Window

Double Casement - 1-1/2" Contour Z-bar

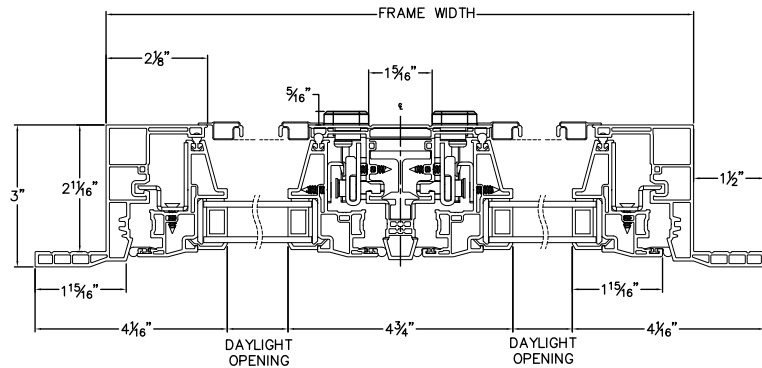
CAD File Scale	View	File Name	Units	Revision
NTS	Horizontal & Vertical	Trinsic_2570_DC_1.5in_z-bar	Inch	8/2018

More Technical Documents can be found at [milgard.com/professionals](http://milgard.com/professionals)  
Due to continual research and development, details may be changed at any time. ©2018 Milgard Mfg.

## DOUBLE CASEMENT SERIES 2570



HEAD & SILL



JAMBS

Revit, SketchUp, .PDF and .DWG files can be accessed at  
[milgard.com/professionals/technical-resources](http://milgard.com/professionals/technical-resources)

[Go back to Quick Links](#)

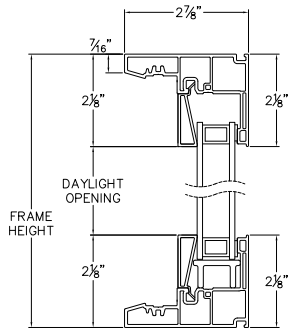
# Casement Window

## Single Casement - Block Frame

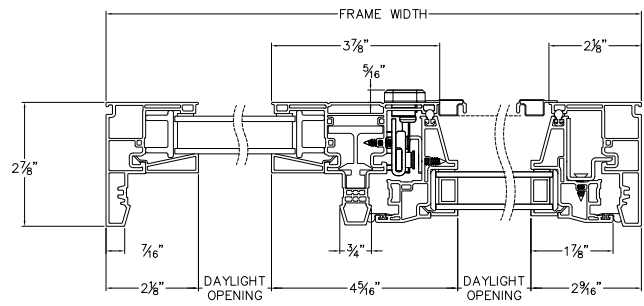
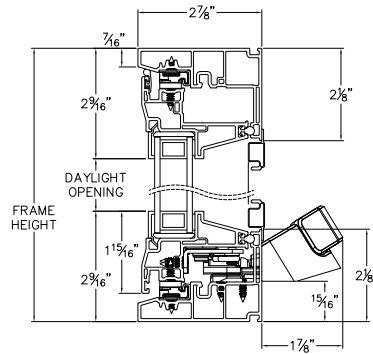
CAD File Scale	View	File Name	Units	Revision
NTS	Horizontal & Vertical	Trinsic_2510_SC_block	Inch	8/2018

More Technical Documents can be found at [milgard.com/professionals](http://milgard.com/professionals)  
Due to continual research and development, details may be changed at any time. ©2018 Milgard Mfg.

### CASEMENT SERIES 2510



HEAD & SILL



JAMBS

Revit, SketchUp, .PDF and .DWG files can be accessed at  
[milgard.com/professionals/technical-resources](http://milgard.com/professionals/technical-resources)

[Go back to Quick Links](#)



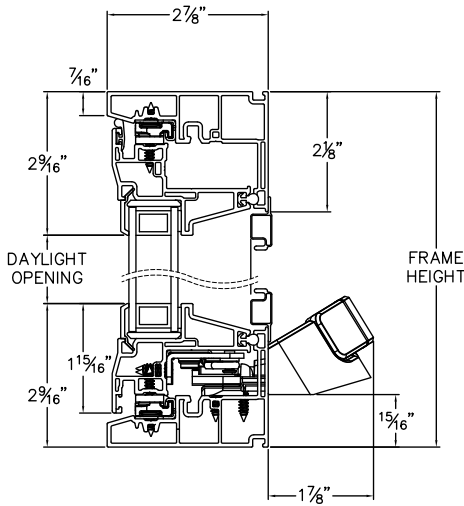
# Casement Window

## Full Casement - Block Frame

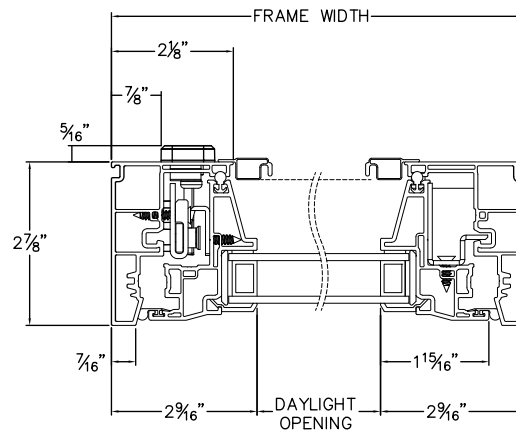
CAD File Scale	View	File Name	Units	Revision
NTS	Horizontal & Vertical	Trinsic_2510_FC_block	Inch	8/2018

More Technical Documents can be found at [milgard.com/professionals](http://milgard.com/professionals)  
Due to continual research and development, details may be changed at any time. ©2018 Milgard Mfg.

### CASEMENT SERIES 2510



HEAD & SILL



JAMBS

Revit, SketchUp, .PDF and .DWG files can be accessed at  
[milgard.com/professionals/technical-resources](http://milgard.com/professionals/technical-resources)

[Go back to Quick Links](#)

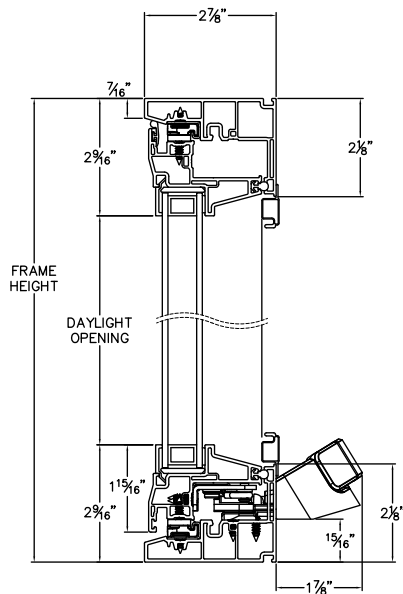
# Casement Window

## Double Casement - Block Frame

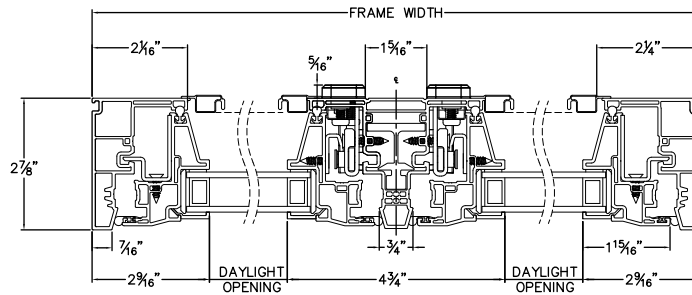
CAD File Scale	View	File Name	Units	Revision
NTS	Horizontal & Vertical	Trinsic_2510_DC_block	Inch	8/2018

More Technical Documents can be found at [milgard.com/professionals](http://milgard.com/professionals)  
Due to continual research and development, details may be changed at any time. ©2018 Milgard Mfg.

### CASEMENT SERIES 2510



HEAD & SILL

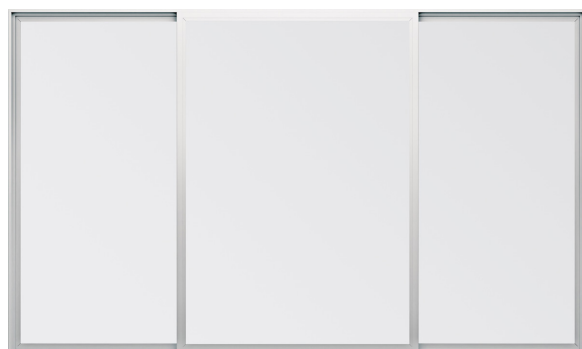
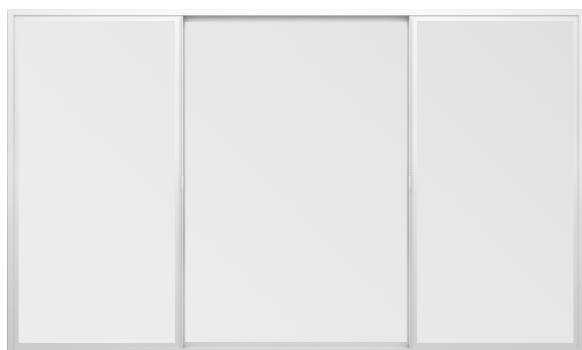


JAMBS

Revit, SketchUp, .PDF and .DWG files can be accessed at [milgard.com/professionals/technical-resources](http://milgard.com/professionals/technical-resources)

[Go back to Quick Links](#)

# Horizontal Sliding & Double Horizontal Sliding Window



The Trinsic™ Series vinyl (PVC) Horizontal Sliding window blends the energy efficiency and low maintenance of vinyl with clean lines and even sightlines.

The result is a window with maximum glass area. Available in white, tan, and clay (select regions), as well as premium painted exteriors. The windows will maintain their color and shape and can be constructed to your exact size specifications.

Please also see:

[Components](#)

[Options](#)

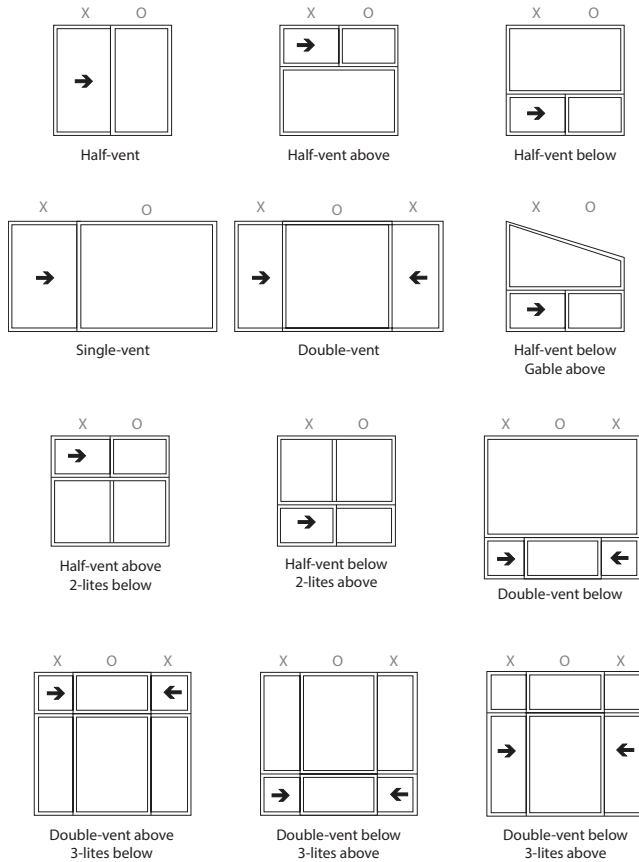
[Hardware](#)

[Premium Exterior Vinyl Finishes](#)

[Full Lifetime Warranty](#)

# Horizontal Sliding Window

## Configurations



## Minimum/Maximum Sizes

### Half Vent

– Min 2<sup>01</sup>° Max 6<sup>05</sup>°

### Double Vent

– Min 4<sup>01</sup>° Max 10<sup>06</sup>°

### Half Vent above/below

– Min 2<sup>02</sup>° Max 6<sup>06</sup>°

### Double Vent above

– Min 4<sup>02</sup>° Max 8<sup>06</sup>°

### Double Vent below

– Min 4<sup>02</sup>° Max 8<sup>06</sup>°

## Available Frame Styles

- 1-3/8" Fin Setback
- 1" Fin Setback with J-channel
- 1" Fin Setback with Stucco Key
- 1-1/2" Contour Z-bar
- Block Frame (no fin)

*NOTE: For engineering approval contact your Milgard representative for any configuration over 40 square feet. Each Milgard Manufacturing plant reserves the right to alter or change sizes and configurations according to location capabilities. Ask your Milgard rep about specialty applications. Windows over 40 square feet shipped open for field glazing. Varies by location.*

*Not all frame styles available at all Milgard locations. Contact your Milgard Representative for more information.*

# Drawings - Quick Links

## Horizontal Sliding Window

- 54—1-3/8" Fin Setback
- 55—1-3/8" Fin Setback - Half Vent Above
- 56—1-3/8" Fin Setback - Half Vent Below
- 57—1-3/8" Fin Setback with Stucco Key
- 58—1-3/8" Fin Setback with Stucco Key - Half Vent Above
- 59—1-3/8" Fin Setback with Stucco Key - Half Vent Below
- 60—Block Frame
- 61—Block Frame - Half Vent Above
- 62—Block Frame - Half Vent Below
- 63—1" Fin Setback with Stucco Key
- 64—1" Fin Setback with Stucco Key - Half Vent Above
- 65—1" Fin Setback with Stucco Key - Half Vent Below

- 66—1" Fin Setback with J-channel
- 67—1" Fin Setback with J-channel - Half Vent Above
- 68—1" Fin Setback with J-channel - Half Vent Below
- 69—1-1/2" Contour Z-bar
- 70—1-1/2" Contour Z-bar - Half Vent Above
- 71—1-1/2" Contour Z-bar - Half Vent Below

## Double Vent Horizontal Sliding Window

- 72—1-3/8" Fin Setback
- 73—1-3/8" Fin Setback with Stucco Key
- 74—Block Frame
- 75—1" Fin Setback with Stucco Key
- 76—1" Fin Setback with J-channel
- 77—1-1/2" Contour Z-bar

Revit, SketchUp, .PDF and .DWG files can be accessed at  
[milgard.com/professionals/technical-resources](http://milgard.com/professionals/technical-resources)

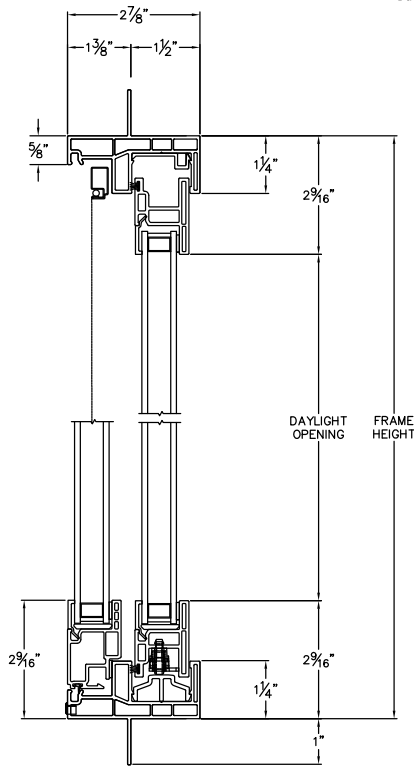
# Horizontal Sliding Window

1-3/8" Fin Setback

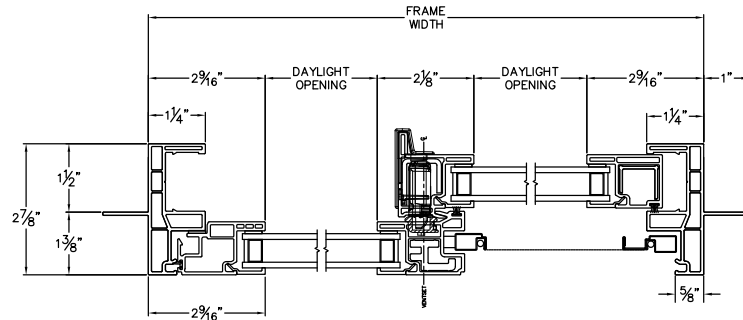
CAD File Scale	View	File Name	Units	Revision
NTS	Horizontal & Vertical	TRINSIC_2110_HS_1.375in	Inch	08/2018

More Technical Documents can be found at [milgard.com/professionals](http://milgard.com/professionals)  
Due to continual research and development, details may be changed at any time. ©2018 Milgard Mfg.

## HORIZONTAL SLIDER SERIES 2110



HEAD & SILL



JAMBS

Revit, SketchUp, .PDF and .DWG files can be accessed at [milgard.com/professionals/technical-resources](http://milgard.com/professionals/technical-resources)

[Go back to Quick Links](#)

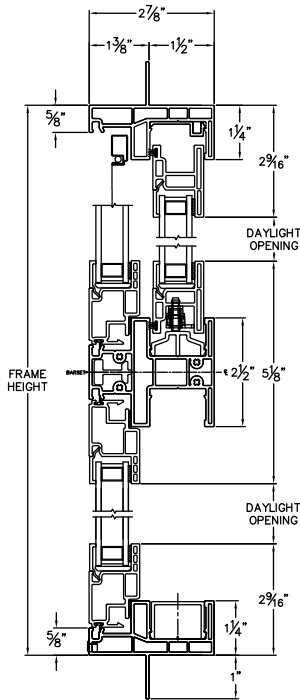
# Horizontal Sliding Window

1-3/8" Fin Setback - Half Vent Above

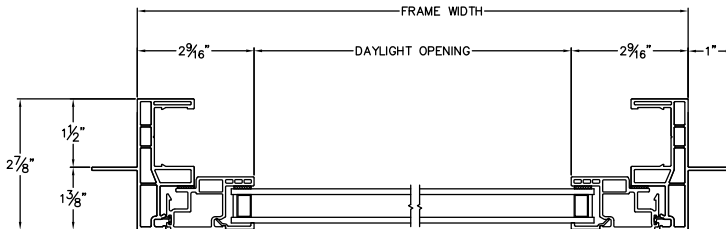
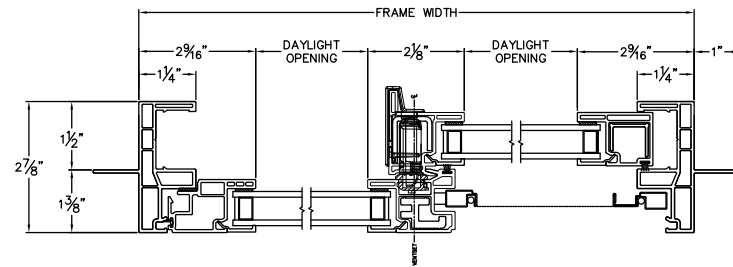
CAD File Scale	View	File Name	Units	Revision
NTS	Horizontal & Vertical	TRINSIC_2110_HVA_1.375in	Inch	08/2018

More Technical Documents can be found at [milgard.com/professionals](http://milgard.com/professionals)  
Due to continual research and development, details may be changed at any time. ©2018 Milgard Mfg.

## HALF VENT ABOVE SERIES 2110



HEAD & SILL



JAMBS

Revit, SketchUp, .PDF and .DWG files can be accessed at [milgard.com/professionals/technical-resources](http://milgard.com/professionals/technical-resources)

[Go back to Quick Links](#)

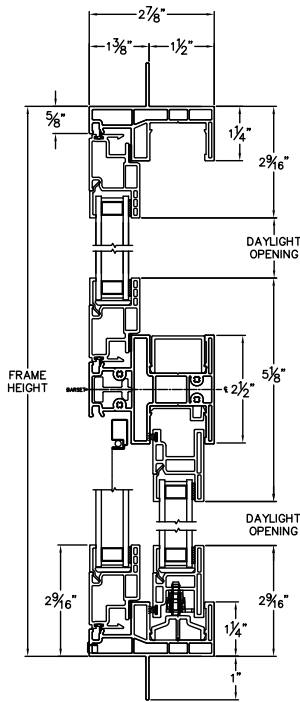
# Horizontal Sliding Window

1-3/8" Fin Setback - Half Vent Below

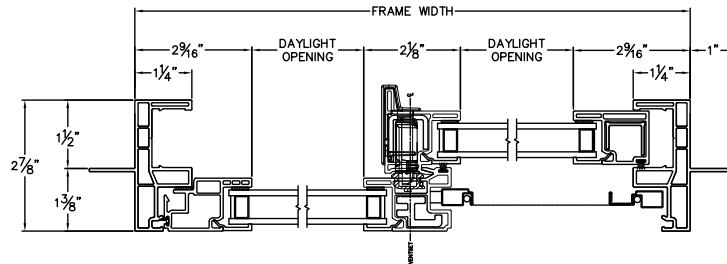
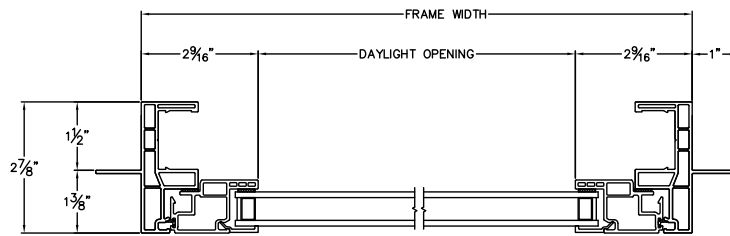
CAD File Scale	View	File Name	Units	Revision
NTS	Horizontal & Vertical	TRINSIC_2110_HVB_1.375in	Inch	08/2018

More Technical Documents can be found at [milgard.com/professionals](http://milgard.com/professionals)  
Due to continual research and development, details may be changed at any time. ©2018 Milgard Mfg.

## HALF VENT BELOW SERIES 2110



HEAD & SILL



JAMBS

Revit, SketchUp, .PDF and .DWG files can be accessed at  
[milgard.com/professionals/technical-resources](http://milgard.com/professionals/technical-resources)

[Go back to Quick Links](#)



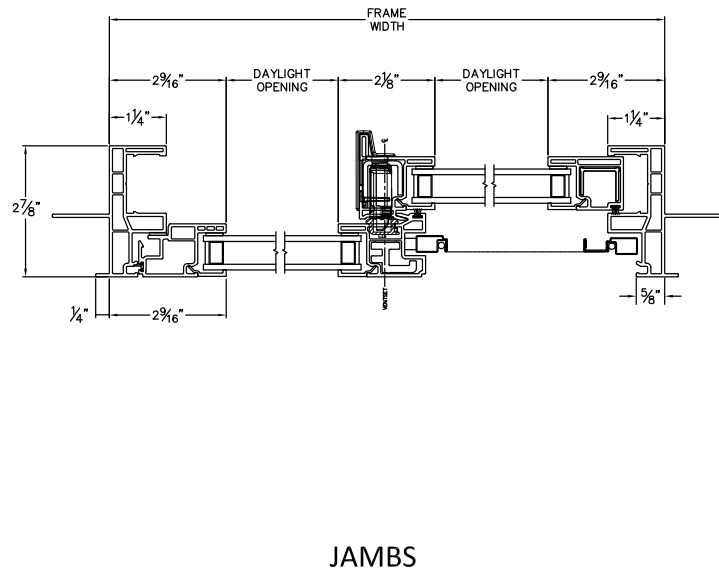
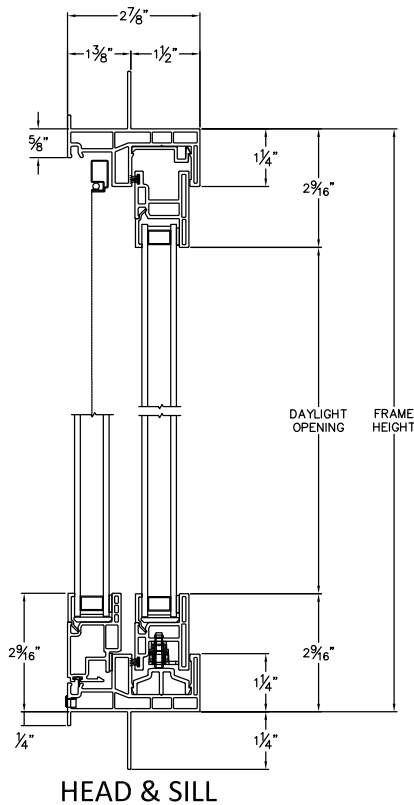
# Horizontal Sliding Window

1-3/8" Fin Setback with Stucco Key

CAD File Scale	View	File Name	Units	Revision
NTS	Horizontal & Vertical	TRINSIC_2111_HS_1.375in_Stucco	Inch	08/2018

More Technical Documents can be found at [milgard.com/professionals](http://milgard.com/professionals)  
Due to continual research and development, details may be changed at any time. ©2018 Milgard Mfg.

## HORIZONTAL SLIDER SERIES 2111



Revit, SketchUp, .PDF and .DWG files can be accessed at [milgard.com/professionals/technical-resources](http://milgard.com/professionals/technical-resources)

[Go back to Quick Links](#)

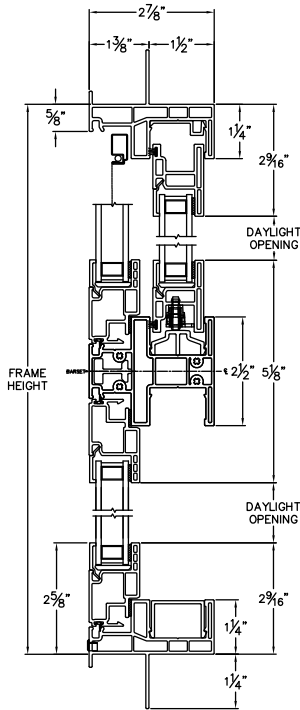
# Horizontal Sliding Window

1-3/8" Fin Setback with Stucco Key - Half Vent Above

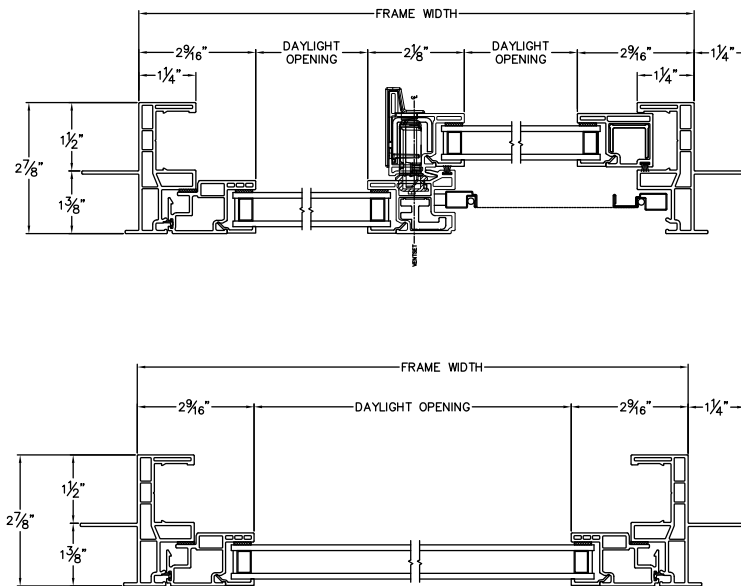
CAD File Scale	View	File Name	Units	Revision
NTS	Horizontal & Vertical	TRINSIC_2111_HVA_1.375in_Stucco	Inch	08/2018

More Technical Documents can be found at [milgard.com/professionals](http://milgard.com/professionals)  
Due to continual research and development, details may be changed at any time. ©2018 Milgard Mfg.

## HALF VENT ABOVE SERIES 2111



HEAD & SILL



JAMBS

Revit, SketchUp, .PDF and .DWG files can be accessed at [milgard.com/professionals/technical-resources](http://milgard.com/professionals/technical-resources)

[Go back to Quick Links](#)

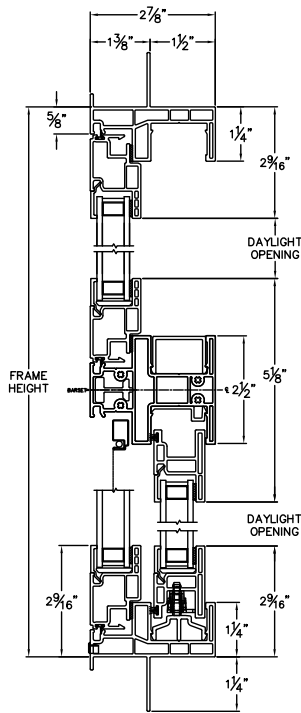
# Horizontal Sliding Window

1-3/8" Fin Setback with Stucco Key - Half Vent Below

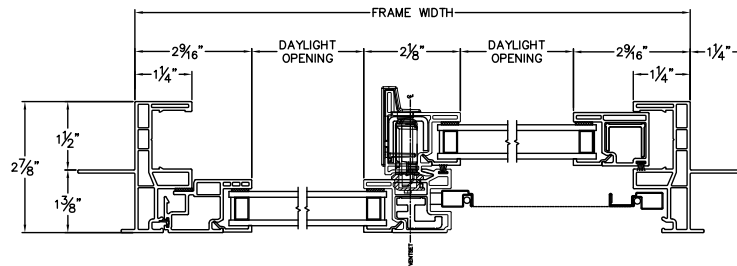
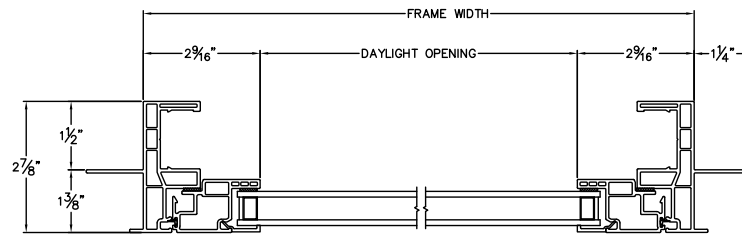
CAD File Scale	View	File Name	Units	Revision
NTS	Horizontal & Vertical	TRINSIC_2111_HVB_1.375in_Stucco	Inch	08/2018

More Technical Documents can be found at [milgard.com/professionals](http://milgard.com/professionals)  
Due to continual research and development, details may be changed at any time. ©2018 Milgard Mfg.

## HALF VENT BELOW SERIES 2111



HEAD & SILL



JAMBS

Revit, SketchUp, .PDF and .DWG files can be accessed at [milgard.com/professionals/technical-resources](http://milgard.com/professionals/technical-resources)

[Go back to Quick Links](#)

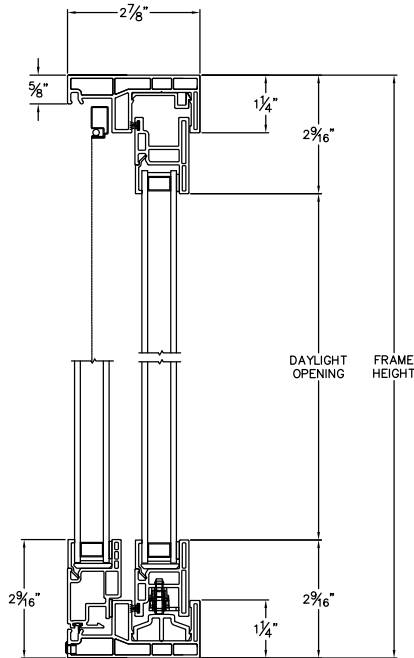
# Horizontal Sliding Window

## Block Frame

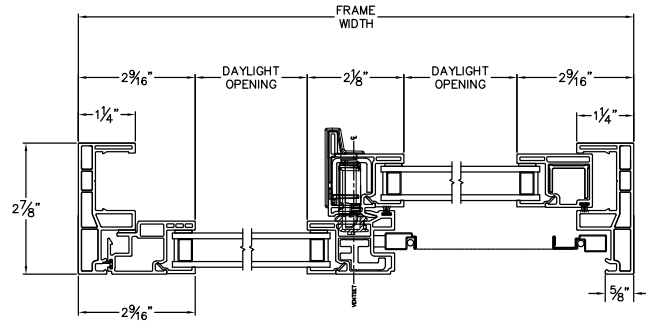
CAD File Scale	View	File Name	Units	Revision
NTS	Horizontal & Vertical	TRINSIC_2110_HS_Block	Inch	08/2018

More Technical Documents can be found at [milgard.com/professionals](http://milgard.com/professionals)  
Due to continual research and development, details may be changed at any time. ©2018 Milgard Mfg.

### HORIZONTAL SLIDER SERIES 2110



HEAD & SILL



JAMBS

Revit, SketchUp, .PDF and .DWG files can be accessed at [milgard.com/professionals/technical-resources](http://milgard.com/professionals/technical-resources)

[Go back to Quick Links](#)

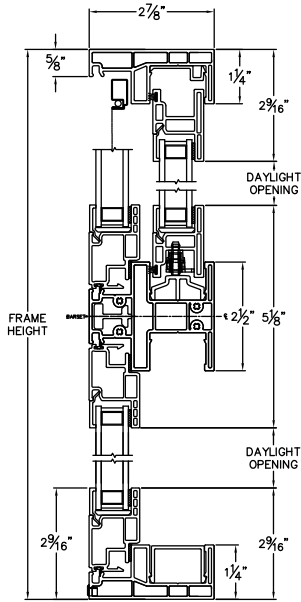
# Horizontal Sliding Window

## Block Frame - Half Vent Above

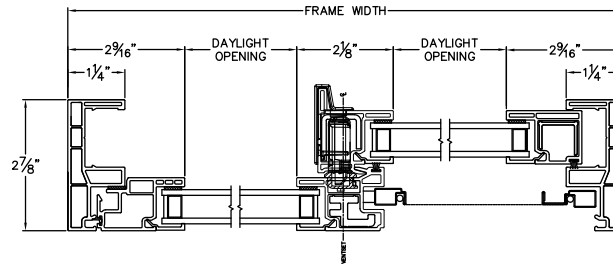
CAD File Scale	View	File Name	Units	Revision
NTS	Horizontal & Vertical	TRINSIC_2110_HVA_Block	Inch	08/2018

More Technical Documents can be found at [milgard.com/professionals](http://milgard.com/professionals)  
Due to continual research and development, details may be changed at any time. ©2018 Milgard Mfg.

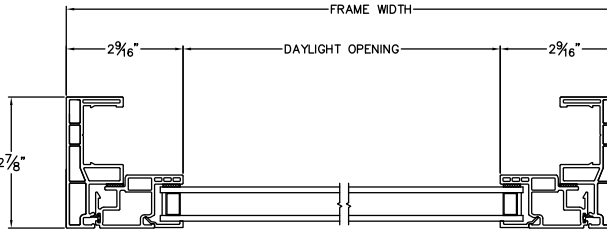
### HALF VENT ABOVE SERIES 2110



HEAD & SILL



JAMBS



Revit, SketchUp, .PDF and .DWG files can be accessed at  
[milgard.com/professionals/technical-resources](http://milgard.com/professionals/technical-resources)

[Go back to Quick Links](#)

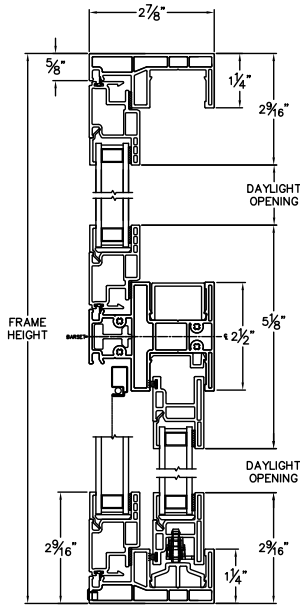
# Horizontal Sliding Window

## Block Frame - Half Vent Below

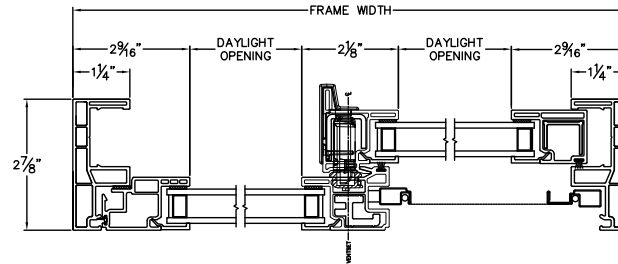
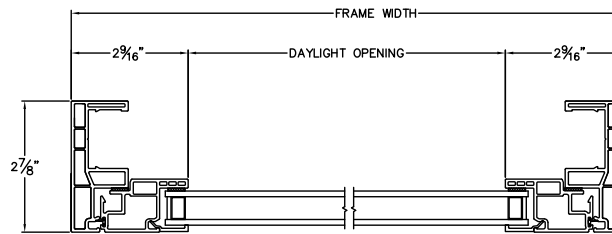
CAD File Scale	View	File Name	Units	Revision
NTS	Horizontal & Vertical	TRINSIC_2110_HVB_Block	Inch	08/2018

More Technical Documents can be found at [milgard.com/professionals](http://milgard.com/professionals)  
Due to continual research and development, details may be changed at any time. ©2018 Milgard Mfg.

### HALF VENT BELOW SERIES 2110



HEAD & SILL



JAMBS

Revit, SketchUp, .PDF and .DWG files can be accessed at  
[milgard.com/professionals/technical-resources](http://milgard.com/professionals/technical-resources)

[Go back to Quick Links](#)

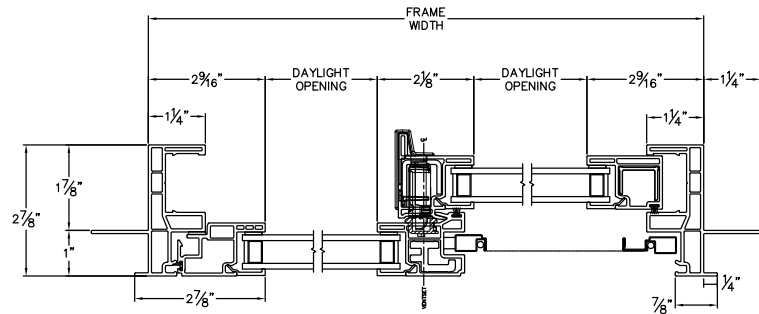
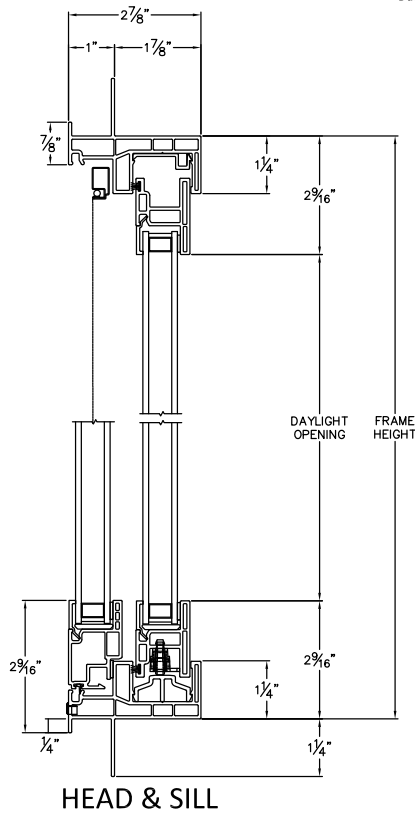
# Horizontal Sliding Window

1" Fin Setback with Stucco Key

CAD File Scale	View	File Name	Units	Revision
NTS	Horizontal & Vertical	TRINSIC_2130_HS_1in_Stucco	Inch	08/2018

More Technical Documents can be found at [milgard.com/professionals](http://milgard.com/professionals)  
Due to continual research and development, details may be changed at any time. ©2018 Milgard Mfg.

## HORIZONTAL SLIDER SERIES 2130



HEAD & SILL

JAMBS

Revit, SketchUp, .PDF and .DWG files can be accessed at [milgard.com/professionals/technical-resources](http://milgard.com/professionals/technical-resources)

[Go back to Quick Links](#)

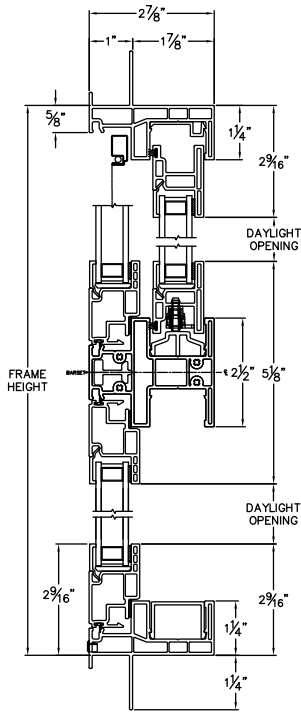
# Horizontal Sliding Window

1" Fin Setback with Stucco Key - Half Vent Above

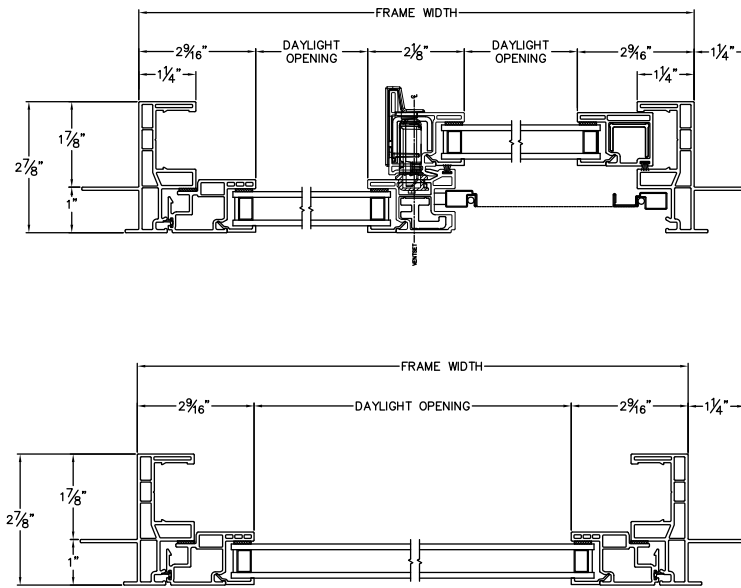
CAD File Scale	View	File Name	Units	Revision
NTS	Horizontal & Vertical	TRINSIC_2130_HVA_1in_Stucco	Inch	08/2018

More Technical Documents can be found at [milgard.com/professionals](http://milgard.com/professionals)  
Due to continual research and development, details may be changed at any time. ©2018 Milgard Mfg.

## HALF VENT ABOVE SERIES 2130



HEAD & SILL



JAMBS

Revit, SketchUp, .PDF and .DWG files can be accessed at [milgard.com/professionals/technical-resources](http://milgard.com/professionals/technical-resources)

[Go back to Quick Links](#)



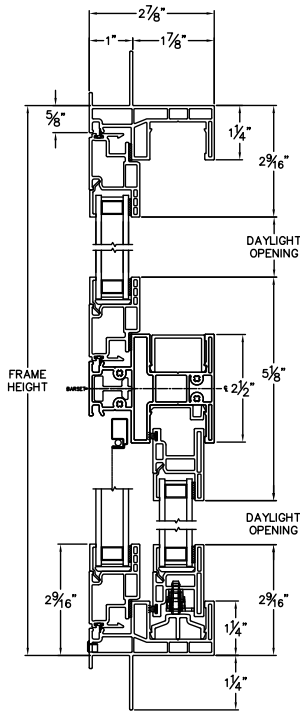
# Horizontal Sliding Window

1" Fin Setback with Stucco Key - Half Vent Below

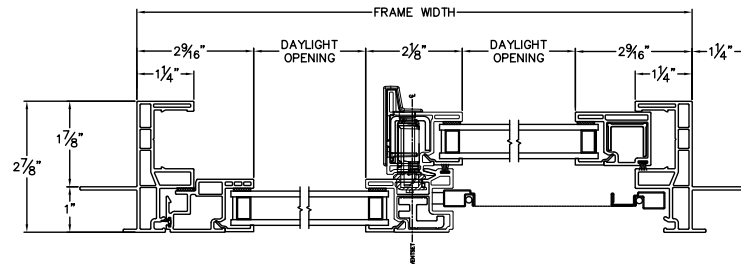
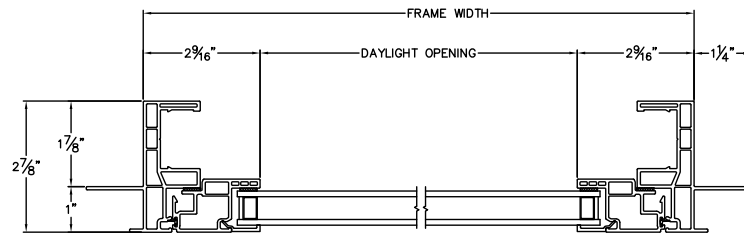
CAD File Scale	View	File Name	Units	Revision
NTS	Horizontal & Vertical	TRINSIC_2130_HVB_1in_Stucco	Inch	08/2018

More Technical Documents can be found at [milgard.com/professionals](http://milgard.com/professionals)  
Due to continual research and development, details may be changed at any time. ©2018 Milgard Mfg.

## HALF VENT BELOW SERIES 2130



HEAD & SILL



JAMBS

Revit, SketchUp, .PDF and .DWG files can be accessed at  
[milgard.com/professionals/technical-resources](http://milgard.com/professionals/technical-resources)

[Go back to Quick Links](#)

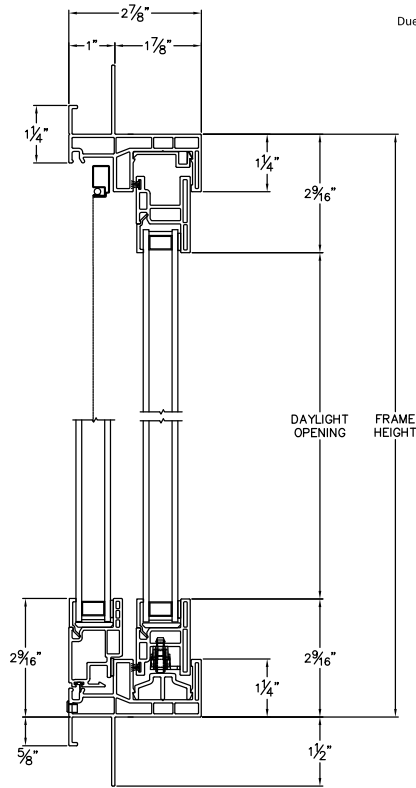
# Horizontal Sliding Window

1" Fin Setback with J-channel

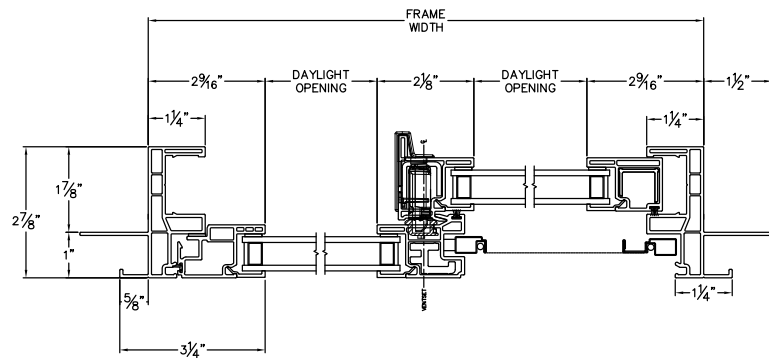
CAD File Scale	View	File Name	Units	Revision
NTS	Horizontal & Vertical	TRINSIC_2130J_HS_1in_J-Channel	Inch	08/2018

More Technical Documents can be found at [milgard.com/professionals](http://milgard.com/professionals)  
Due to continual research and development, details may be changed at any time. ©2018 Milgard Mfg.

## HORIZONTAL SLIDER SERIES 2130J



HEAD & SILL



JAMBS

Revit, SketchUp, .PDF and .DWG files can be accessed at  
[milgard.com/professionals/technical-resources](http://milgard.com/professionals/technical-resources)

[Go back to Quick Links](#)

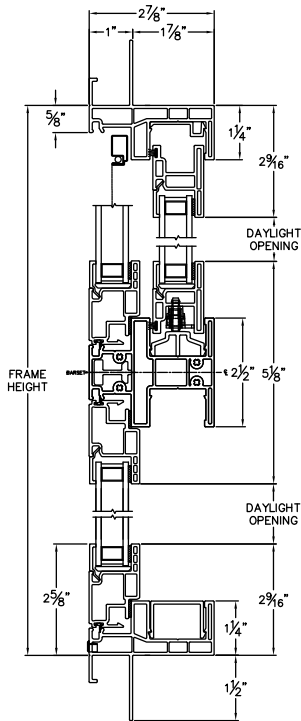
# Horizontal Sliding Window

1" Fin Setback with J-channel - Half Vent Above

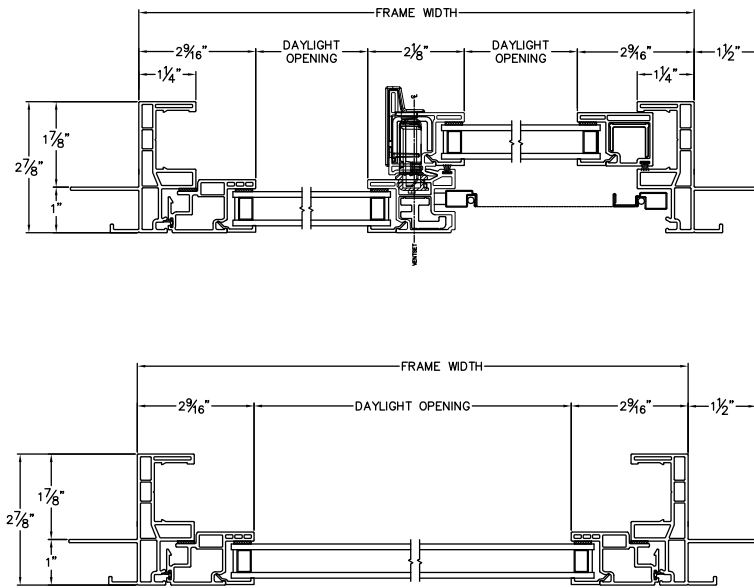
CAD File Scale	View	File Name	Units	Revision
NTS	Horizontal & Vertical	TRINSIC_2130J_HVA_1in_J-Channel	Inch	08/2018

More Technical Documents can be found at [milgard.com/professionals](http://milgard.com/professionals)  
Due to continual research and development, details may be changed at any time. ©2018 Milgard Mfg.

## HALF VENT ABOVE SERIES 2130J



HEAD & SILL



JAMBS

Revit, SketchUp, .PDF and .DWG files can be accessed at [milgard.com/professionals/technical-resources](http://milgard.com/professionals/technical-resources)

[Go back to Quick Links](#)

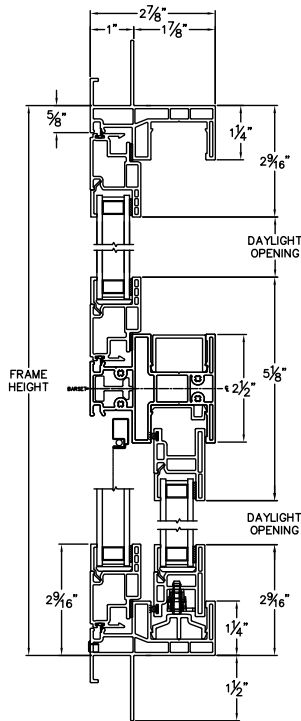
# Horizontal Sliding Window

1" Fin Setback with J-channel - Half Vent Below

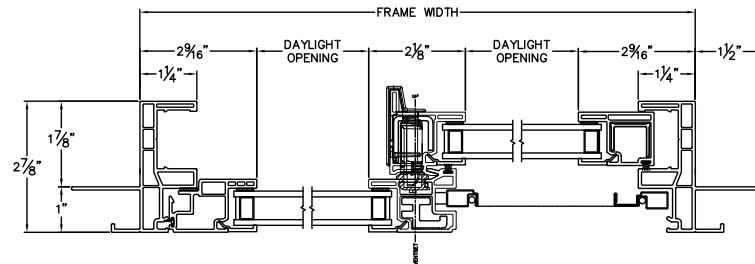
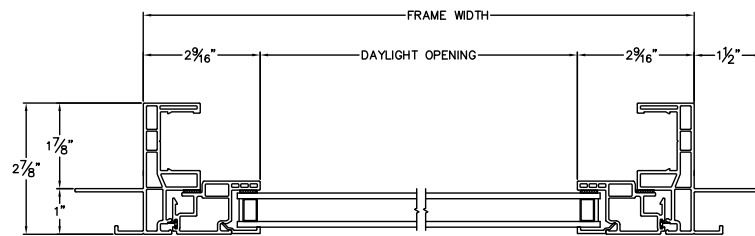
CAD File Scale	View	File Name	Units	Revision
NTS	Horizontal & Vertical	TRINSIC_2130J_HVB_1in_J-Channel	Inch	08/2018

More Technical Documents can be found at [milgard.com/professionals](http://milgard.com/professionals)  
Due to continual research and development, details may be changed at any time. ©2018 Milgard Mfg.

## HALF VENT BELOW SERIES 2130J



HEAD & SILL



JAMBS

Revit, SketchUp, .PDF and .DWG files can be accessed at  
[milgard.com/professionals/technical-resources](http://milgard.com/professionals/technical-resources)

[Go back to Quick Links](#)

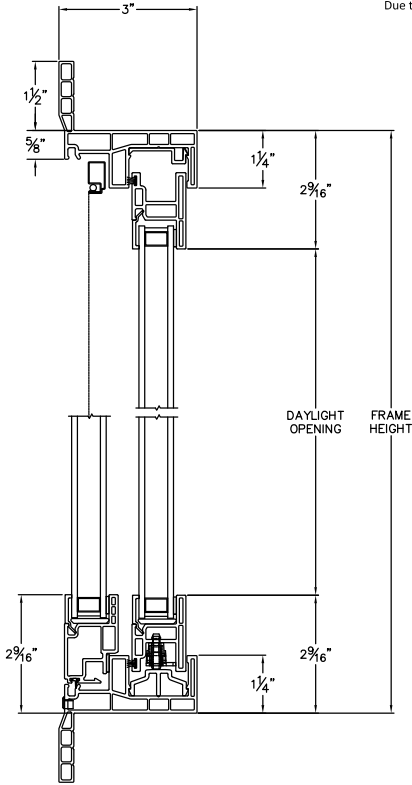
# Horizontal Sliding Window

1-1/2" Contour Z-bar

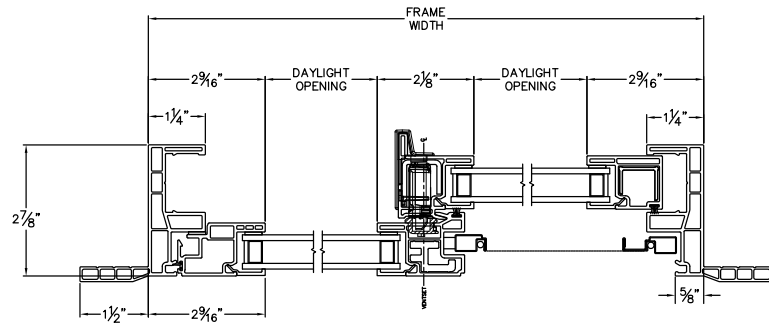
CAD File Scale	View	File Name	Units	Revision
NTS	Horizontal & Vertical	TRINSIC_2170_HS_1.5in_Z-bar	Inch	08/2018

More Technical Documents can be found at [milgard.com/professionals](http://milgard.com/professionals)  
Due to continual research and development, details may be changed at any time. ©2018 Milgard Mfg.

## HORIZONTAL SLIDER SERIES 2170



HEAD & SILL



JAMBS

Revit, SketchUp, .PDF and .DWG files can be accessed at  
[milgard.com/professionals/technical-resources](http://milgard.com/professionals/technical-resources)

[Go back to Quick Links](#)

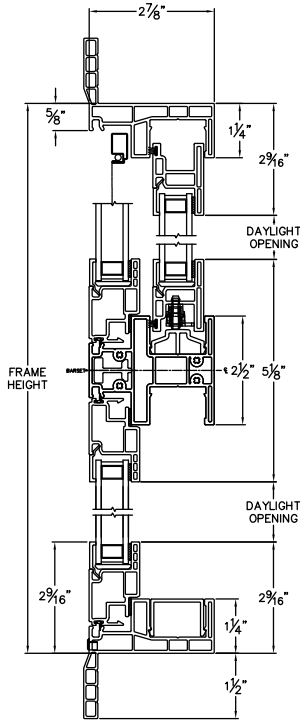
# Horizontal Sliding Window

1-1/2" Contour Z-bar - Half Vent Above

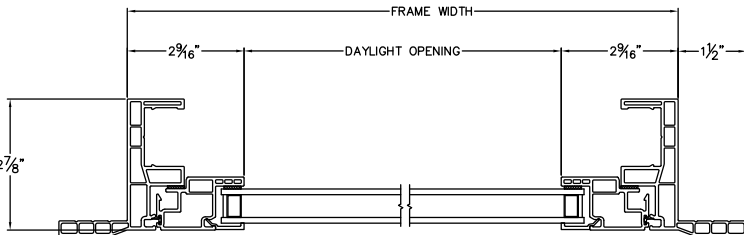
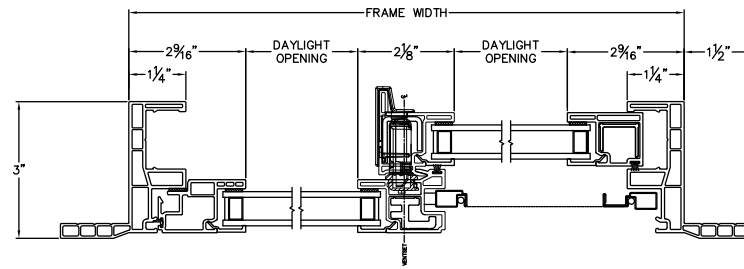
CAD File Scale	View	File Name	Units	Revision
NTS	Horizontal & Vertical	TRINSIC_2170_HVA_1.5in_Z-Bar	Inch	08/2018

More Technical Documents can be found at [milgard.com/professionals](http://milgard.com/professionals)  
Due to continual research and development, details may be changed at any time. ©2018 Milgard Mfg.

## HALF VENT ABOVE SERIES 2170



HEAD & SILL



JAMBS

Revit, SketchUp, .PDF and .DWG files can be accessed at  
[milgard.com/professionals/technical-resources](http://milgard.com/professionals/technical-resources)

[Go back to Quick Links](#)

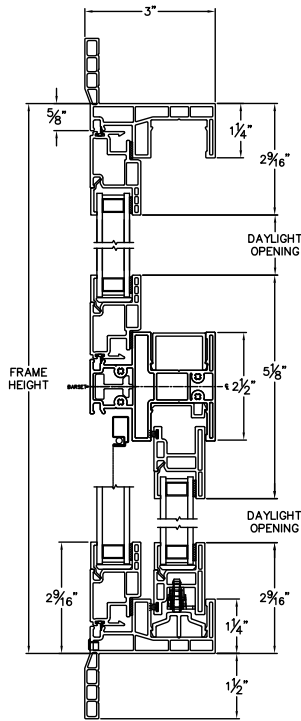
# Horizontal Sliding Window

1-1/2" Contour Z-bar - Half Vent Below

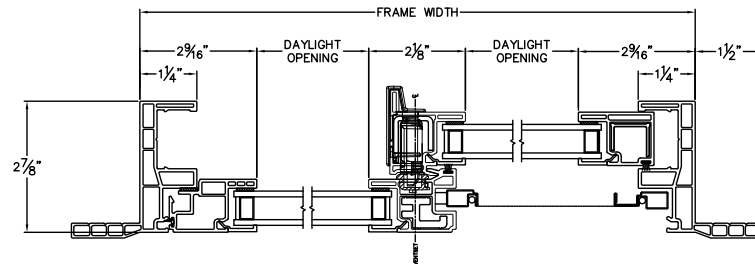
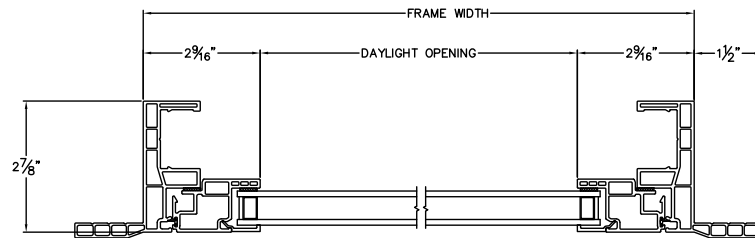
CAD File Scale	View	File Name	Units	Revision
NTS	Horizontal & Vertical	TRINSIC_2170_HVB_1.5in_Z-Bar	Inch	08/2018

More Technical Documents can be found at [milgard.com/professionals](http://milgard.com/professionals)  
Due to continual research and development, details may be changed at any time. ©2018 Milgard Mfg.

## HALF VENT BELOW SERIES 2170



HEAD & SILL



JAMBS

Revit, SketchUp, .PDF and .DWG files can be accessed at  
[milgard.com/professionals/technical-resources](http://milgard.com/professionals/technical-resources)

[Go back to Quick Links](#)

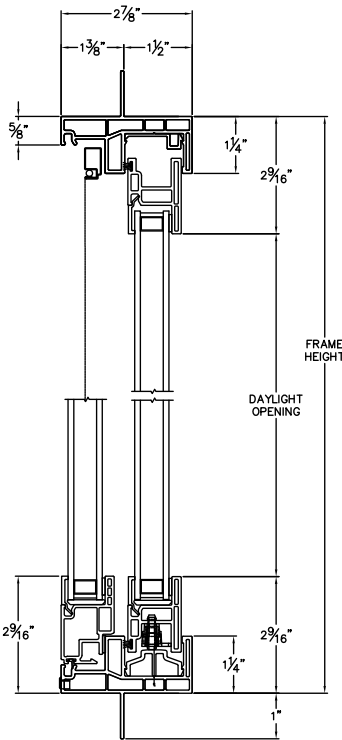
# Double Vent Horizontal Sliding Window

1-3/8" Fin Setback

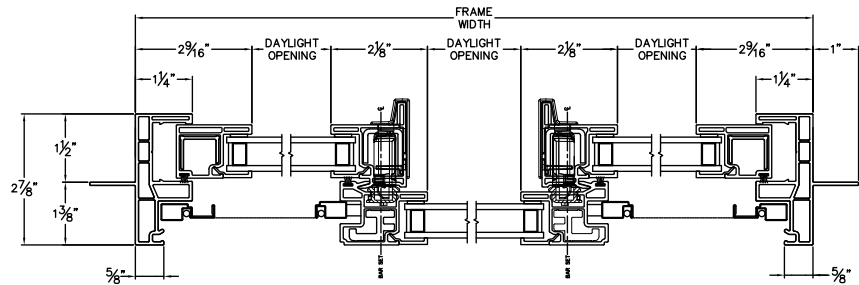
CAD File Scale	View	File Name	Units	Revision
NTS	Horizontal & Vertical	Trinsic_2110_DV_1.375in	Inch	08/2018

More Technical Documents can be found at [milgard.com/professionals](http://milgard.com/professionals)  
Due to continual research and development, details may be changed at any time. ©2018 Milgard Mfg.

## DOUBLE VENT SERIES 2110



HEAD & SILL



JAMBS

Revit, SketchUp, .PDF and .DWG files can be accessed at [milgard.com/professionals/technical-resources](http://milgard.com/professionals/technical-resources)

[Go back to Quick Links](#)



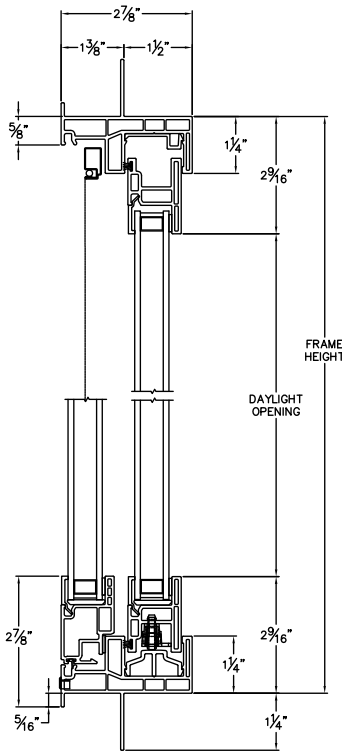
# Double Vent Horizontal Sliding Window

1-3/8" Fin Setback with Stucco Key

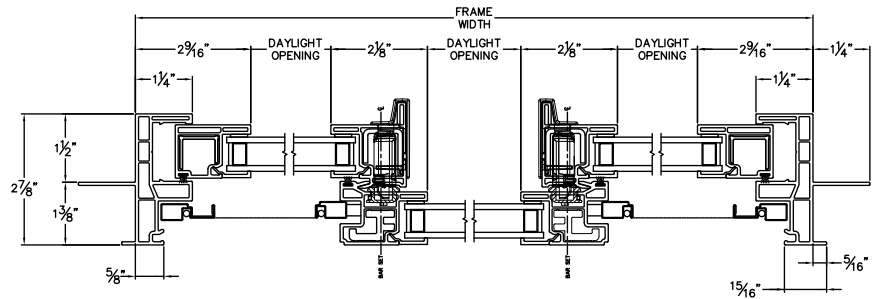
CAD File Scale	View	File Name	Units	Revision
NTS	Horizontal & Vertical	Trinsic_2111_DV_1.375in Stucco	Inch	08/2018

More Technical Documents can be found at [milgard.com/professionals](http://milgard.com/professionals)  
Due to continual research and development, details may be changed at any time. ©2018 Milgard Mfg.

## DOUBLE VENT SERIES 2111



HEAD & SILL



JAMBS

Revit, SketchUp, .PDF and .DWG files can be accessed at [milgard.com/professionals/technical-resources](http://milgard.com/professionals/technical-resources)

[Go back to Quick Links](#)

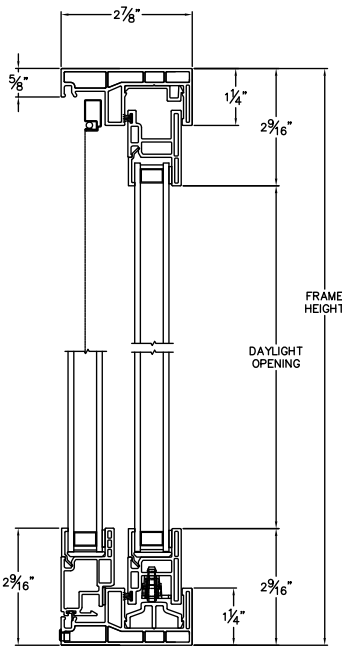
# Double Vent Horizontal Sliding Window

## Block Frame

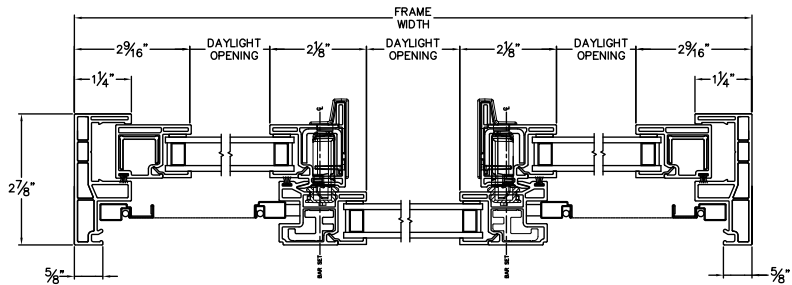
CAD File Scale	View	File Name	Units	Revision
NTS	Horizontal & Vertical	Trinsic_2110_DV_Block	Inch	08/2018

More Technical Documents can be found at [milgard.com/professionals](http://milgard.com/professionals)  
Due to continual research and development, details may be changed at any time. ©2018 Milgard Mfg.

### DOUBLE VENT SERIES 2110



HEAD & SILL



JAMBS

Revit, SketchUp, .PDF and .DWG files can be accessed at  
[milgard.com/professionals/technical-resources](http://milgard.com/professionals/technical-resources)

[Go back to Quick Links](#)

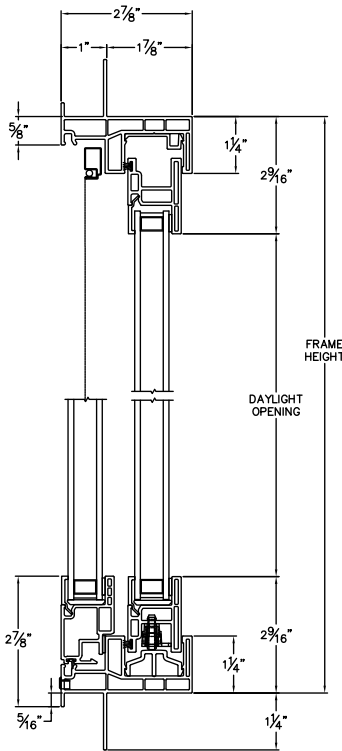
# Double Vent Horizontal Sliding Window

1" Fin Setback with Stucco Key

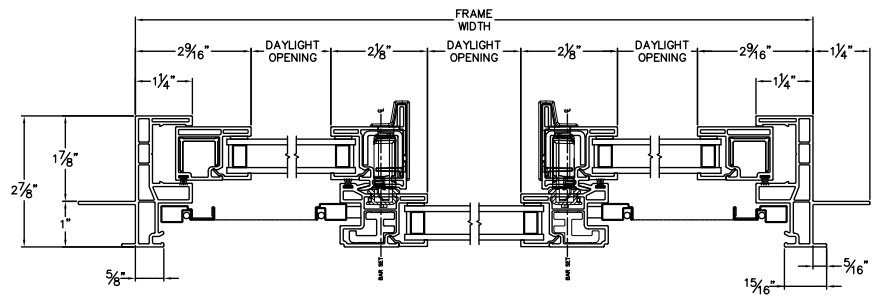
CAD File Scale	View	File Name	Units	Revision
NTS	Horizontal & Vertical	Trinsic_2130_DV_1in Stucco	Inch	08/2018

More Technical Documents can be found at [milgard.com/professionals](http://milgard.com/professionals)  
Due to continual research and development, details may be changed at any time. ©2018 Milgard Mfg.

## DOUBLE VENT SERIES 2130



HEAD & SILL



JAMBS

Revit, SketchUp, .PDF and .DWG files can be accessed at [milgard.com/professionals/technical-resources](http://milgard.com/professionals/technical-resources)

[Go back to Quick Links](#)

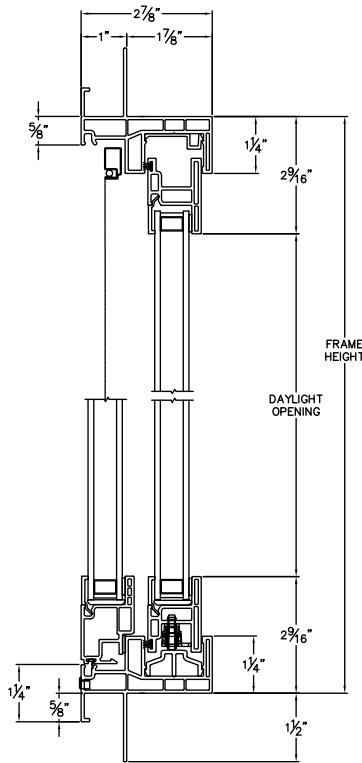
# Double Vent Horizontal Sliding Window

1" Fin Setback with J-channel

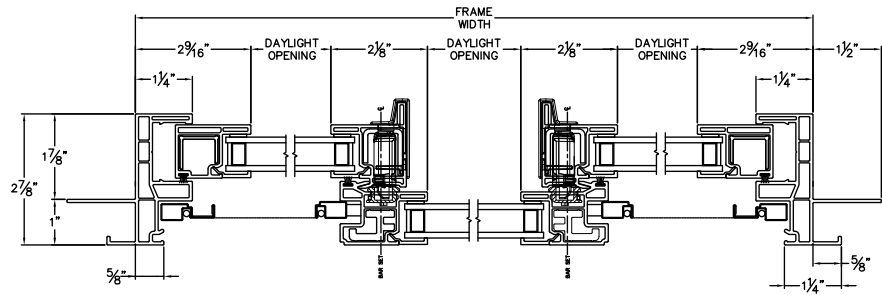
CAD File Scale	View	File Name	Units	Revision
NTS	Horizontal & Vertical	Trinsic_2130J_DV_J-Channel	Inch	08/2018

More Technical Documents can be found at [milgard.com/professionals](http://milgard.com/professionals)  
Due to continual research and development, details may be changed at any time. ©2018 Milgard Mfg.

## DOUBLE VENT SERIES 2130J



HEAD & SILL



JAMBS

Revit, SketchUp, .PDF and .DWG files can be accessed at  
[milgard.com/professionals/technical-resources](http://milgard.com/professionals/technical-resources)

[Go back to Quick Links](#)

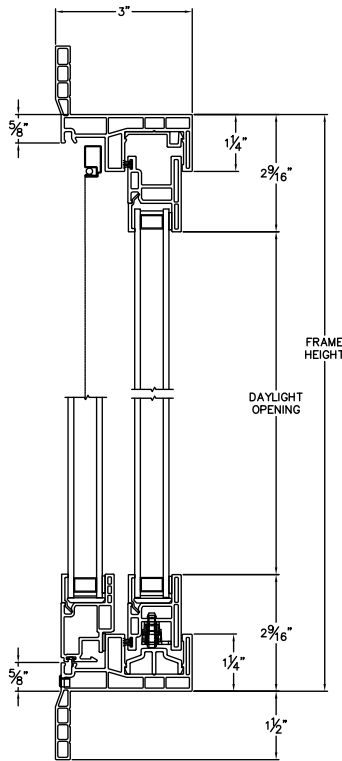
# Double Vent Horizontal Sliding Window

1-1/2" Contour Z-bar

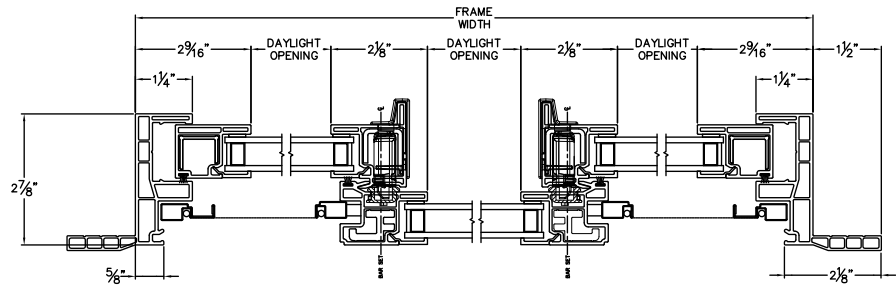
CAD File Scale	View	File Name	Units	Revision
NTS	Horizontal & Vertical	Trinsic_2170_DV_1.5in Z-Bar	Inch	08/2018

More Technical Documents can be found at [milgard.com/professionals](http://milgard.com/professionals)  
Due to continual research and development, details may be changed at any time. ©2018 Milgard Mfg.

## DOUBLE VENT SERIES 2170



HEAD & SILL

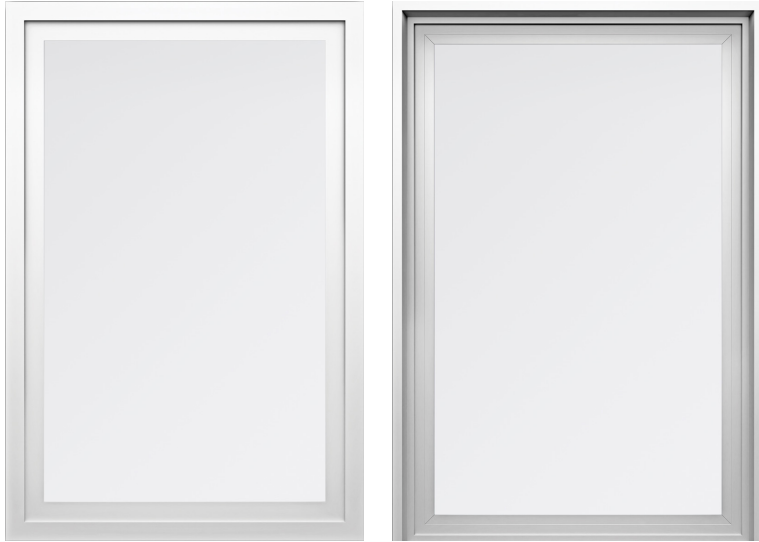


JAMBS

Revit, SketchUp, .PDF and .DWG files can be accessed at  
[milgard.com/professionals/technical-resources](http://milgard.com/professionals/technical-resources)

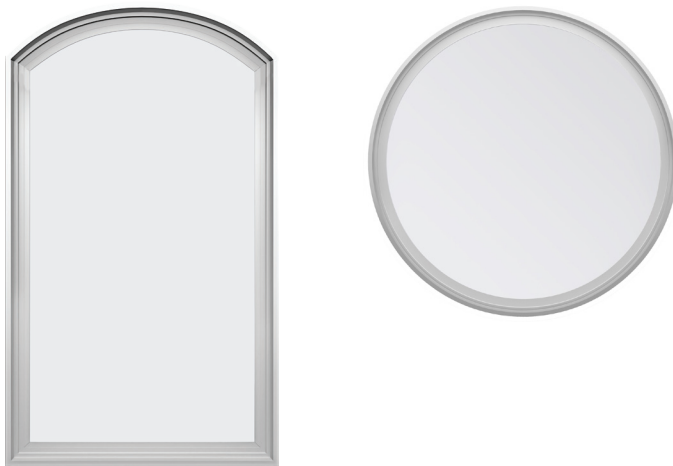
[Go back to Quick Links](#)

## Picture and Radius Window



The Trinsic™ Series vinyl (PVC) Picture window blends the energy efficiency and low maintenance of vinyl with clean lines and even sightlines.

The result is a window with maximum glass area. Available in white, tan, and clay (select regions), as well as premium painted exteriors. The windows will maintain their color and shape and can be constructed to your exact size specifications.



Please also see:

[Components](#)

[Options](#)

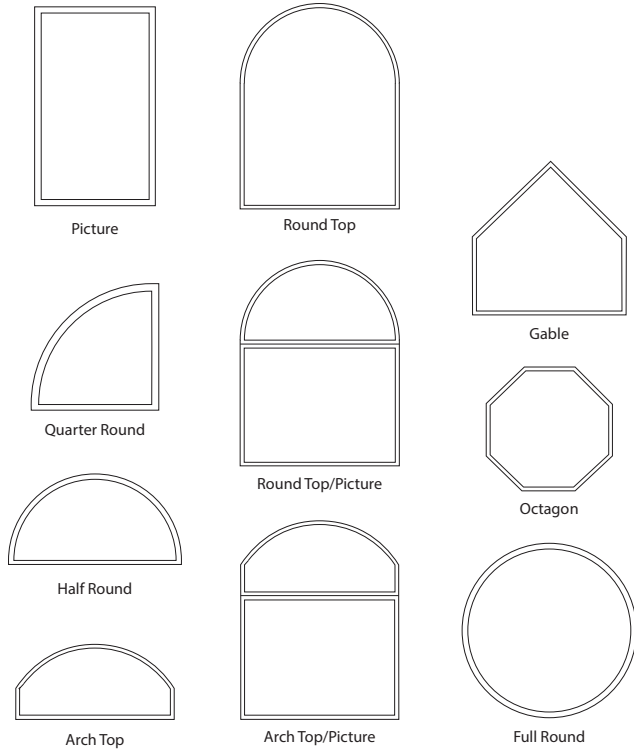
[Hardware](#)

[Premium Exterior Vinyl Finishes](#)

[Full Lifetime Warranty](#)

# Picture and Radius Window

## Configurations



## Minimum/Maximum Sizes

### Picture Window

- Min 1'0"      Max 8'6"

## Available Frame Styles

- 1-3/8" Fin Setback
- 1" Fin Setback with J-channel
- 1" Fin Setback with Stucco Key
- 1-1/2" Contour Z-bar
- Block Frame (no fin)

*NOTE: For engineering approval contact your Milgard representative for any configuration over 40 square feet. Each Milgard Manufacturing plant reserves the right to alter or change sizes and configurations according to location capabilities. Ask your Milgard rep about specialty applications. Windows over 40 square feet shipped open for field glazing. Varies by location.*

*Not all frame styles available at all Milgard locations. Contact your Milgard Representative for more information.*

# Drawings - Quick Links

## Picture/Radius Window

81—1-3/8" Fin Setback - Step Frame

82—1-3/8" Fin Setback with Stucco Key - Step Frame

83—1" Fin Setback with J-channel - Step Frame

84—1" Fin Setback with Stucco Key - Step Frame

85—1-3/8" Fin Setback - Slider Frame

86—1-3/8" Fin Setback with Stucco Key - Slider Frame

87—1" Fin Setback with Stucco Key - Slider Frame

88—1" Fin Setback with J-channel - Slider Frame

89—1-1/2" Contour Z-bar - Slider Frame

90—Block Frame - Slider Frame

91—1-3/8" Fin Setback - Casement Frame

92—1-3/8" Fin Setback with stucco key - Casement Frame

93—1" Fin Setback with stucco key - Casement Frame

94—1" Fin Setback with J-channel - Casement Frame

95—1.5" Contour Z-bar - Casement Frame

96—Block Frame - Casement Frame

97—2 Lites Vertical - 1-3/8" Fin Setback - Casement Frame

98—2 Lites Vertical - 1-3/8" Fin Setback with stucco key - Casement Frame

99—2 Lites Vertical - 1-3/8" Fin Setback with stucco key - Casement Frame

100—2 Lites Vertical - 1" Fin Setback with stucco key - Casement Frame

101—2 Lites Vertical - 1-1/2" Contour Z-bar - Casement Frame

102—2 Lites Vertical - Block Frame - Casement Frame

Revit, SketchUp, .PDF and .DWG files can be accessed at [milgard.com/professionals/technical-resources](http://milgard.com/professionals/technical-resources)



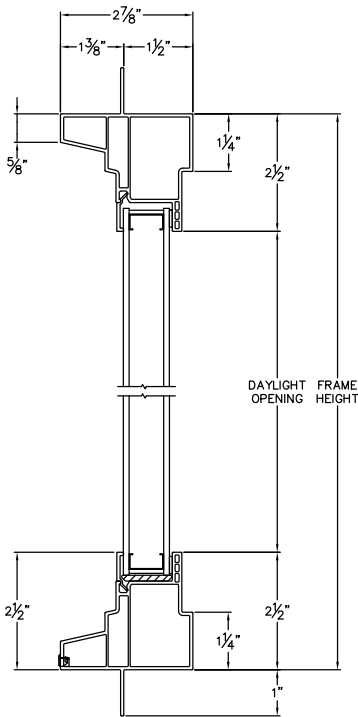
# Picture/Radius Window

1-3/8" Fin Setback - Step Frame

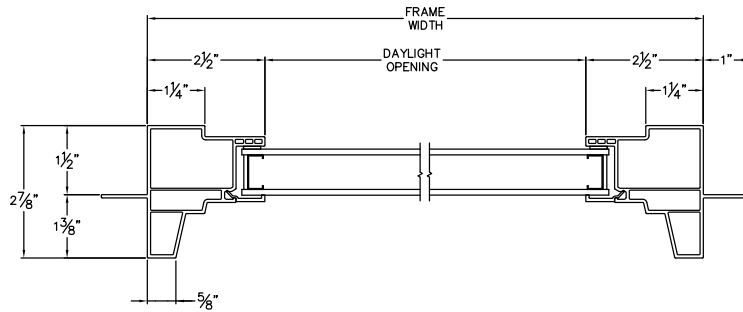
CAD File Scale	View	File Name	Units	Revision
NTS	Horizontal & Vertical	Trinsic_2340_PW_1.375in	Inch	08/2018

More Technical Documents can be found at [milgard.com/professionals](http://milgard.com/professionals)  
Due to continual research and development, details may be changed at any time. ©2018 Milgard Mfg.

## PICTURE WINDOW SERIES 2340



HEAD & SILL



JAMBS

Revit, SketchUp, .PDF and .DWG files can be accessed at [milgard.com/professionals/technical-resources](http://milgard.com/professionals/technical-resources)

[Go back to Quick Links](#)

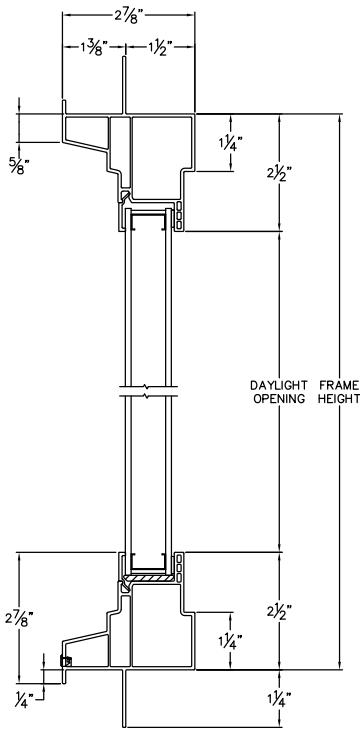
# Picture/Radius Window

1-3/8" Fin Setback with Stucco Key - Step Frame

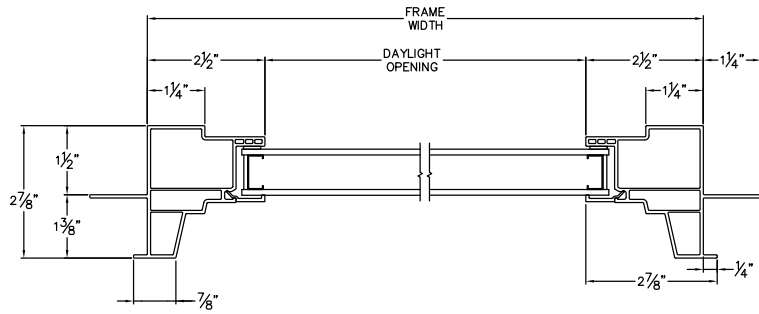
CAD File Scale	View	File Name	Units	Revision
NTS	Horizontal & Vertical	Trinsic_2341_PW_1.375in Stucco	Inch	08/2018

More Technical Documents can be found at [milgard.com/professionals](http://milgard.com/professionals)  
Due to continual research and development, details may be changed at any time. ©2018 Milgard Mfg.

## PICTURE WINDOW SERIES 2341



HEAD & SILL



JAMBS

Revit, SketchUp, .PDF and .DWG files can be accessed at [milgard.com/professionals/technical-resources](http://milgard.com/professionals/technical-resources)

[Go back to Quick Links](#)

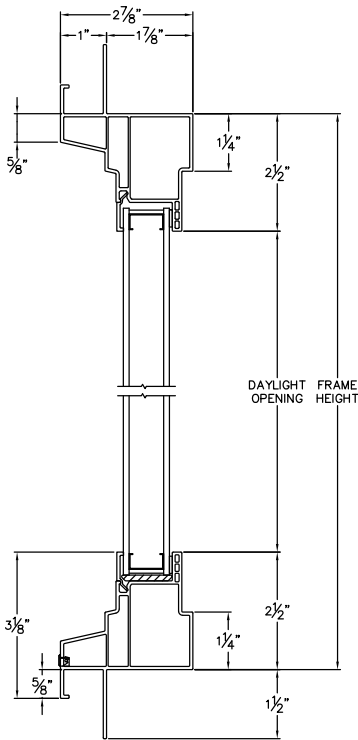
# Picture/Radius Window

1" Fin Setback with J-channel - Step Frame

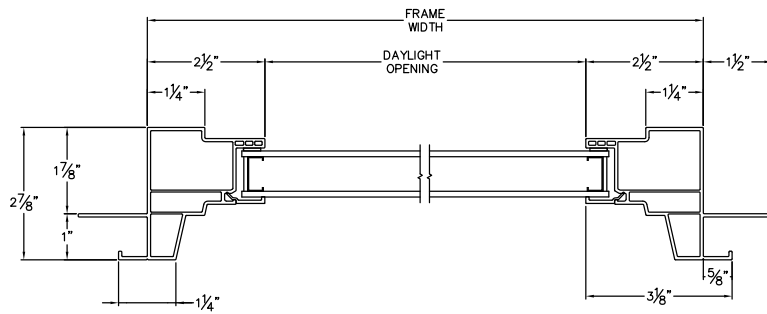
CAD File Scale	View	File Name	Units	Revision
NTS	Horizontal & Vertical	Trinsic_2330J_PW_1in J-Channel	Inch	08/2018

More Technical Documents can be found at [milgard.com/professionals](http://milgard.com/professionals)  
Due to continual research and development, details may be changed at any time. ©2018 Milgard Mfg.

## PICTURE WINDOW SERIES 2330J



HEAD & SILL



JAMBS

Revit, SketchUp, .PDF and .DWG files can be accessed at [milgard.com/professionals/technical-resources](http://milgard.com/professionals/technical-resources)

[Go back to Quick Links](#)

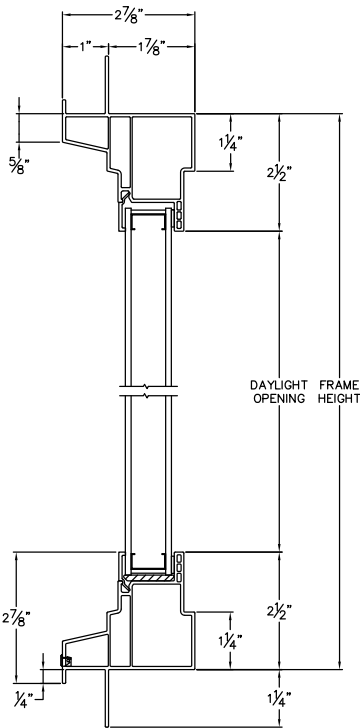
# Picture/Radius Window

1" Fin Setback with Stucco Key - Step Frame

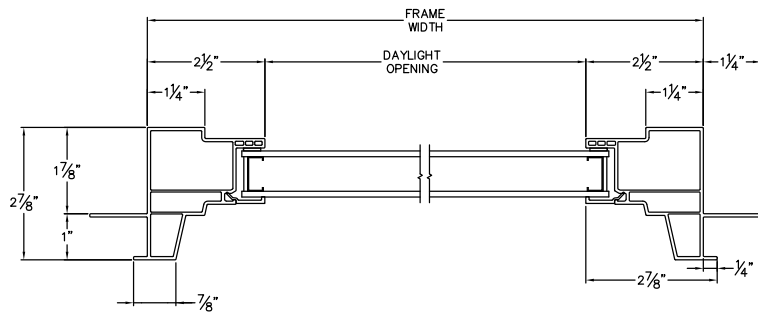
CAD File Scale	View	File Name	Units	Revision
NTS	Horizontal & Vertical	Trinsic_2330_PW_1in Stucco	Inch	08/2018

More Technical Documents can be found at [milgard.com/professionals](http://milgard.com/professionals)  
Due to continual research and development, details may be changed at any time. ©2018 Milgard Mfg.

## PICTURE WINDOW SERIES 2330



HEAD & SILL



JAMBS

Revit, SketchUp, .PDF and .DWG files can be accessed at [milgard.com/professionals/technical-resources](http://milgard.com/professionals/technical-resources)

[Go back to Quick Links](#)

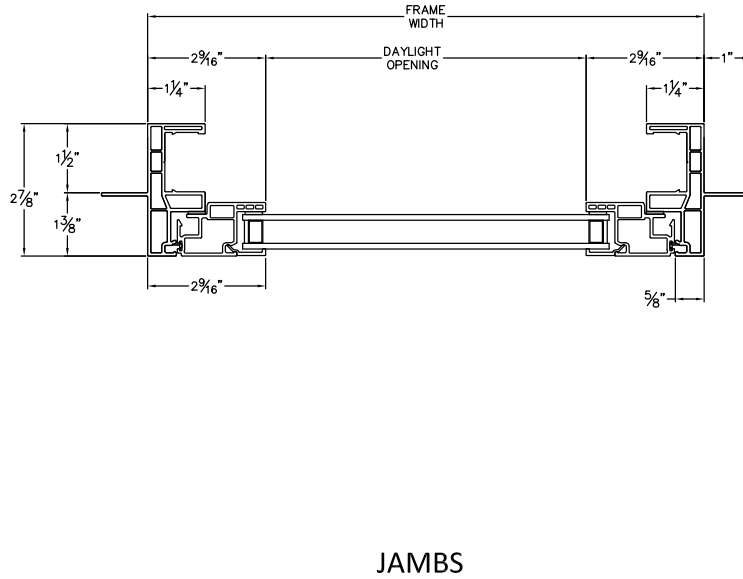
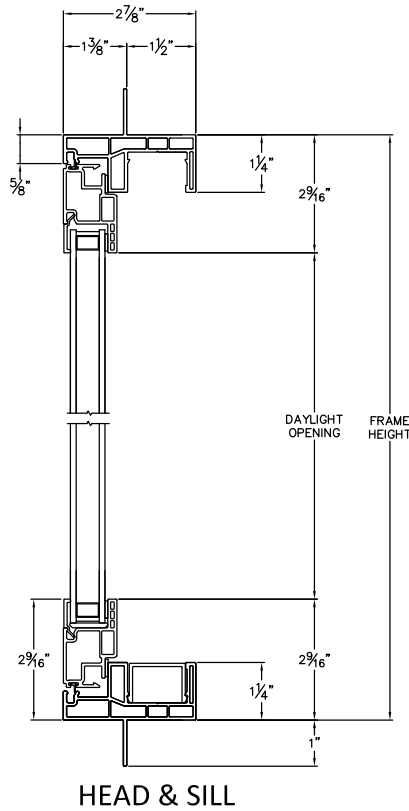
# Picture/Radius Window

1-3/8" Fin Setback - Slider Frame

CAD File Scale	View	File Name	Units	Revision
NTS	Horizontal & Vertical	Trinsic_2310_PWR_1.375in	Inch	08/2018

More Technical Documents can be found at [milgard.com/professionals](http://milgard.com/professionals)  
Due to continual research and development, details may be changed at any time. ©2018 Milgard Mfg.

## PICTURE WINDOW SERIES 2310



Revit, SketchUp, .PDF and .DWG files can be accessed at [milgard.com/professionals/technical-resources](http://milgard.com/professionals/technical-resources)

[Go back to Quick Links](#)

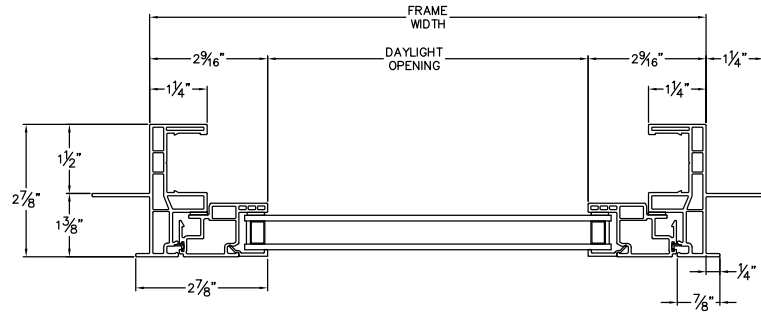
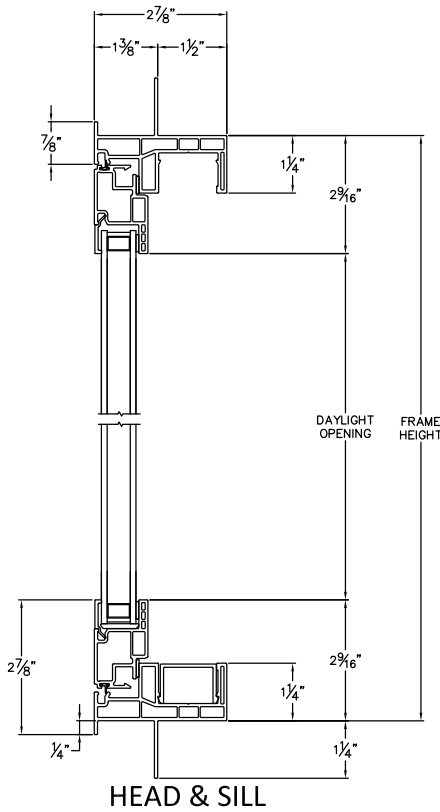
# Picture/Radius Window

1-3/8" Fin Setback with Stucco Key - Slider Frame

CAD File Scale	View	File Name	Units	Revision
NTS	Horizontal & Vertical	Trinsic_2311_PWR_1.375in Stucco	Inch	08/2018

More Technical Documents can be found at [milgard.com/professionals](http://milgard.com/professionals)  
Due to continual research and development, details may be changed at any time. ©2018 Milgard Mfg.

## PICTURE WINDOW SERIES 2311



Revit, SketchUp, .PDF and .DWG files can be accessed at  
[milgard.com/professionals/technical-resources](http://milgard.com/professionals/technical-resources)

[Go back to Quick Links](#)

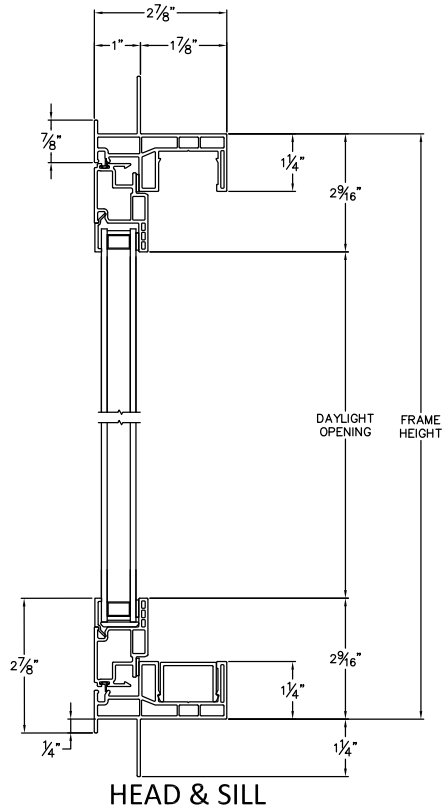
# Picture/Radius Window

1" Fin Setback with Stucco Key - Slider Frame

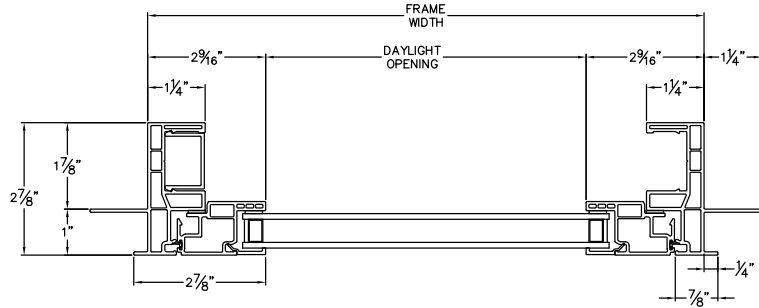
CAD File Scale	View	File Name	Units	Revision
NTS	Horizontal & Vertical	Trinsic_2331_PWR_1in Stucco	Inch	08/2018

More Technical Documents can be found at [milgard.com/professionals](http://milgard.com/professionals)  
Due to continual research and development, details may be changed at any time. ©2018 Milgard Mfg.

## PICTURE WINDOW SERIES 2331



HEAD & SILL



JAMBS

Revit, SketchUp, .PDF and .DWG files can be accessed at [milgard.com/professionals/technical-resources](http://milgard.com/professionals/technical-resources)

[Go back to Quick Links](#)

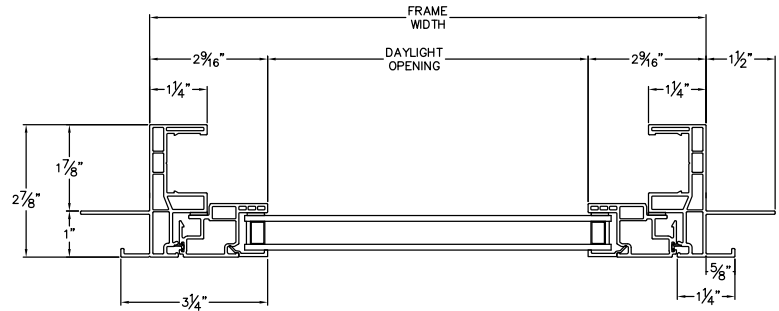
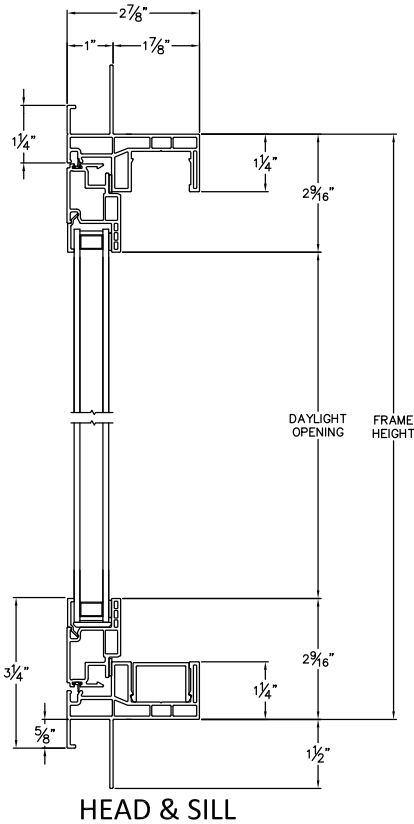
# Picture/Radius Window

1" Fin Setback with J-channel - Slider Frame

CAD File Scale	View	File Name	Units	Revision
NTS	Horizontal & Vertical	Trinsic_2331J_PWR_1in_J-Channel	Inch	08/2018

More Technical Documents can be found at [milgard.com/professionals](http://milgard.com/professionals)  
Due to continual research and development, details may be changed at any time. ©2018 Milgard Mfg.

## PICTURE WINDOW SERIES 2331J



Revit, SketchUp, .PDF and .DWG files can be accessed at  
[milgard.com/professionals/technical-resources](http://milgard.com/professionals/technical-resources)

[Go back to Quick Links](#)



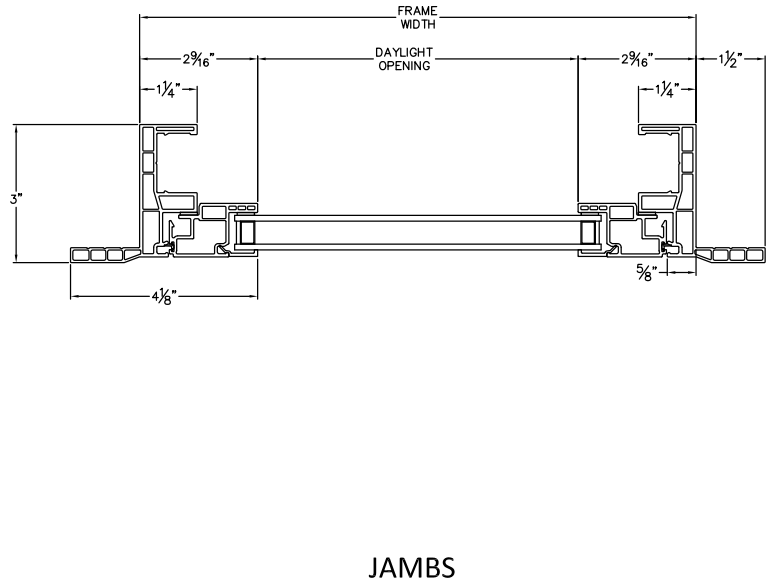
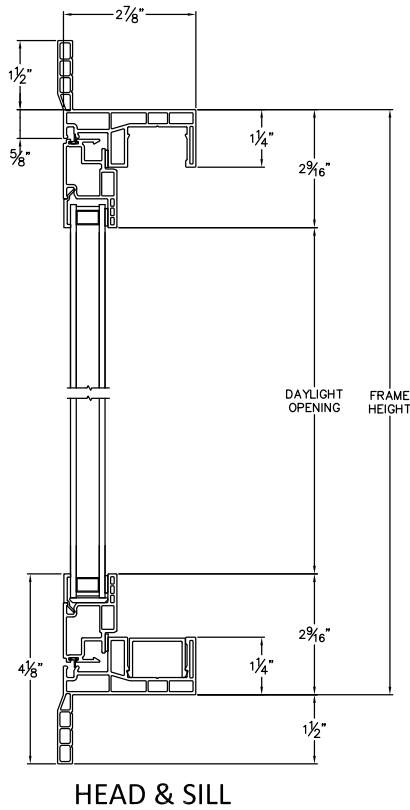
# Picture/Radius Window

1-1/2" Contour Z-bar - Slider Frame

CAD File Scale	View	File Name	Units	Revision
NTS	Horizontal & Vertical	Trinsic_2370_PWR_1.5in Z-Bar	Inch	08/2018

More Technical Documents can be found at [milgard.com/professionals](http://milgard.com/professionals)  
Due to continual research and development, details may be changed at any time. ©2018 Milgard Mfg.

## PICTURE WINDOW SERIES 2370



Revit, SketchUp, .PDF and .DWG files can be accessed at [milgard.com/professionals/technical-resources](http://milgard.com/professionals/technical-resources)

[Go back to Quick Links](#)

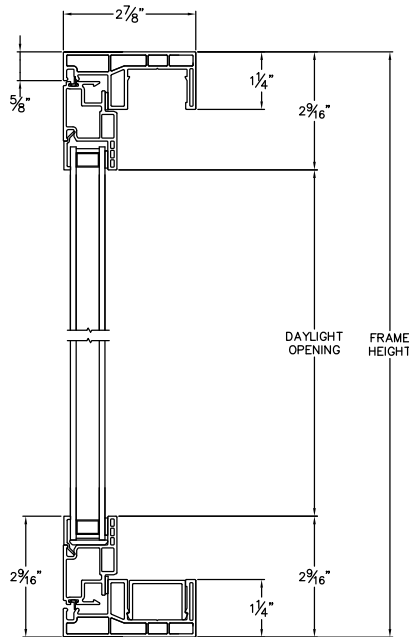
# Picture/Radius Window

Block Frame - Slider Frame

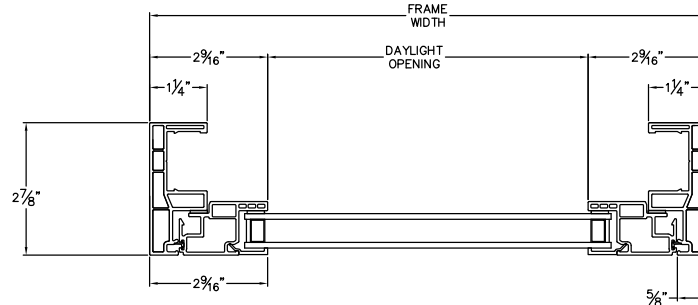
CAD File Scale	View	File Name	Units	Revision
NTS	Horizontal & Vertical	Trinsic_2310_PWR_Block Frame	Inch	08/2018

More Technical Documents can be found at [milgard.com/professionals](http://milgard.com/professionals)  
Due to continual research and development, details may be changed at any time. ©2018 Milgard Mfg.

## PICTURE WINDOW SERIES 2310



HEAD & SILL



JAMBS

Revit, SketchUp, .PDF and .DWG files can be accessed at  
[milgard.com/professionals/technical-resources](http://milgard.com/professionals/technical-resources)

[Go back to Quick Links](#)

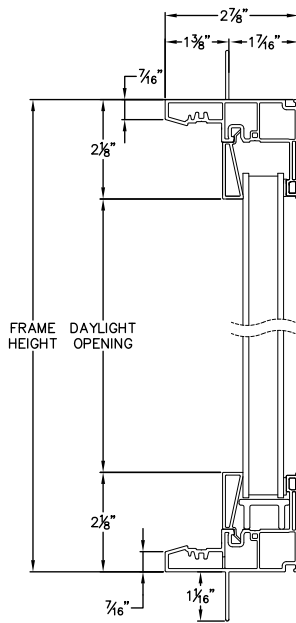
# Picture/Radius Window

1-3/8" Fin Setback - Casement Frame

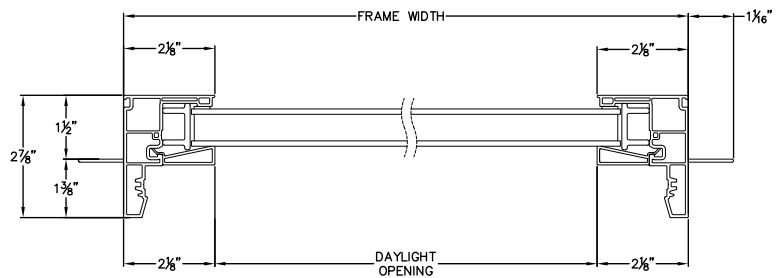
CAD File Scale	View	File Name	Units	Revision
NTS	Horizontal & Vertical	Trinsic_2350_CADG_1.375in	Inch	8/2018

More Technical Documents can be found at [milgard.com/professionals](http://milgard.com/professionals)  
Due to continual research and development, details may be changed at any time. ©2018 Milgard Mfg.

## CASEMENT PICTURE WINDOW SERIES 2350



HEAD & SILL



JAMBS

Revit, SketchUp, .PDF and .DWG files can be accessed at  
[milgard.com/professionals/technical-resources](http://milgard.com/professionals/technical-resources)

[Go back to Quick Links](#)

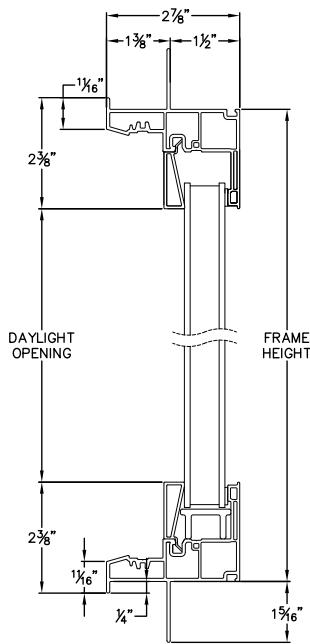
# Picture/Radius Window

1-3/8" Fin Setback with stucco key - Casement Frame

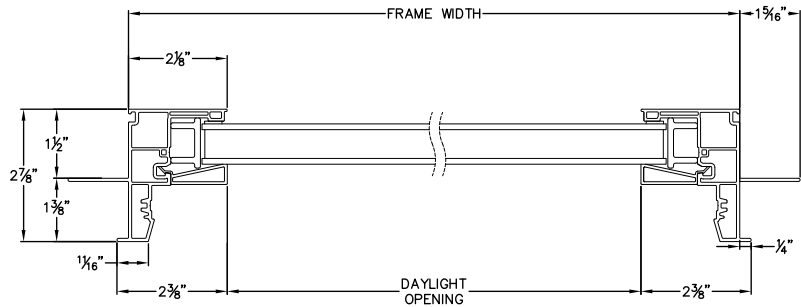
CAD File Scale	View	File Name	Units	Revision
NTS	Horizontal & Vertical	Trinsic_2351_CADG_1.375in_stucco	Inch	8/2018

More Technical Documents can be found at [milgard.com/professionals](http://milgard.com/professionals)  
Due to continual research and development, details may be changed at any time. ©2018 Milgard Mfg.

## PICTURE WINDOW, CASEMENT FRAME SERIES 2351



HEAD & SILL



JAMBS

Revit, SketchUp, .PDF and .DWG files can be accessed at [milgard.com/professionals/technical-resources](http://milgard.com/professionals/technical-resources)

[Go back to Quick Links](#)

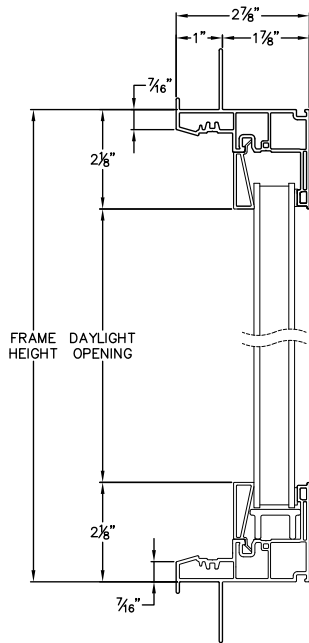
# Picture/Radius Window

1" Fin Setback with stucco key - Casement Frame

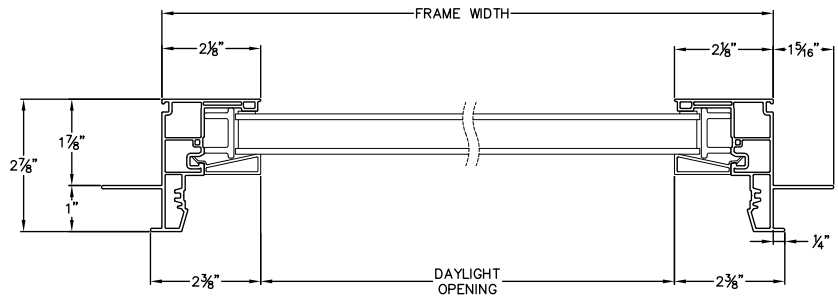
CAD File Scale	View	File Name	Units	Revision
NTS	Horizontal & Vertical	Trinsic_2360_CADG_1in_stucco	Inch	8/2018

More Technical Documents can be found at [milgard.com/professionals](http://milgard.com/professionals)  
Due to continual research and development, details may be changed at any time. ©2018 Milgard Mfg.

## CASEMENT PICTURE WINDOW SERIES 2360



HEAD & SILL



JAMBS

Revit, SketchUp, .PDF and .DWG files can be accessed at  
[milgard.com/professionals/technical-resources](http://milgard.com/professionals/technical-resources)

[Go back to Quick Links](#)

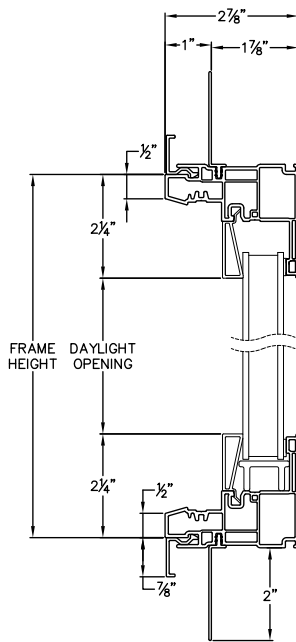
# Picture/Radius Window

1" Fin Setback with J-channel - Casement Frame

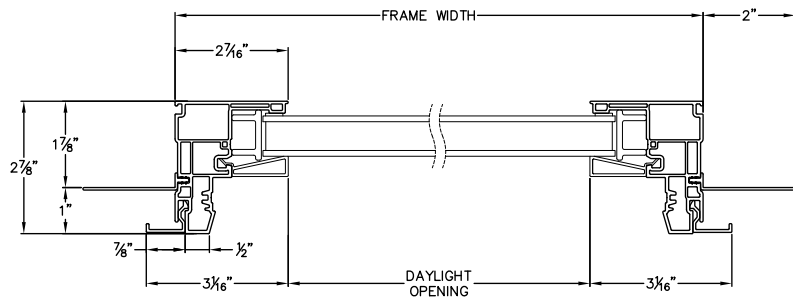
CAD File Scale	View	File Name	Units	Revision
NTS	Horizontal & Vertical	Trinsic_2360J_CADG_1in_j-channel	Inch	8/2018

More Technical Documents can be found at [milgard.com/professionals](http://milgard.com/professionals)  
Due to continual research and development, details may be changed at any time. ©2018 Milgard Mfg.

## CASEMENT PICTURE WINDOW SERIES 2360J



HEAD & SILL



JAMBS

Revit, SketchUp, .PDF and .DWG files can be accessed at  
[milgard.com/professionals/technical-resources](http://milgard.com/professionals/technical-resources)

[Go back to Quick Links](#)

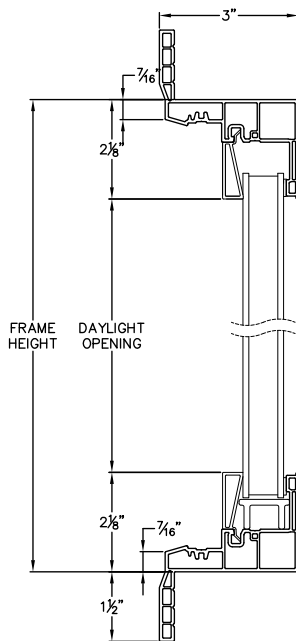
# Picture/Radius Window

## 1.5" Contour Z-bar - Casement Frame

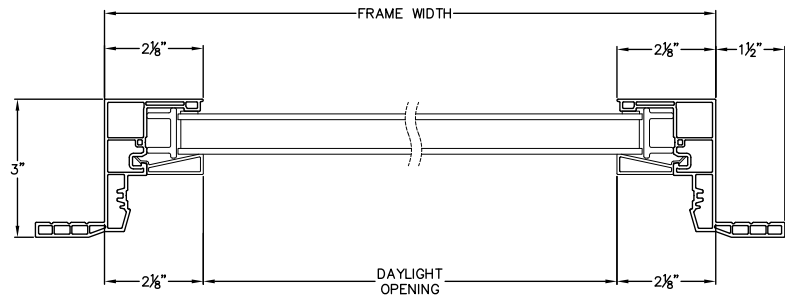
CAD File Scale	View	File Name	Units	Revision
NTS	Horizontal & Vertical	Trinsic_2375_CADG_1.5in_z-bar	Inch	8/2018

More Technical Documents can be found at [milgard.com/professionals](http://milgard.com/professionals)  
Due to continual research and development, details may be changed at any time. ©2018 Milgard Mfg.

### CASEMENT PICTURE WINDOW SERIES 2375



HEAD & SILL



JAMBS

Revit, SketchUp, .PDF and .DWG files can be accessed at  
[milgard.com/professionals/technical-resources](http://milgard.com/professionals/technical-resources)

[Go back to Quick Links](#)

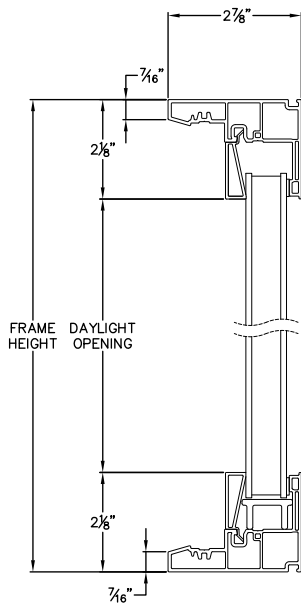
# Picture/Radius Window

Block Frame - Casement Frame

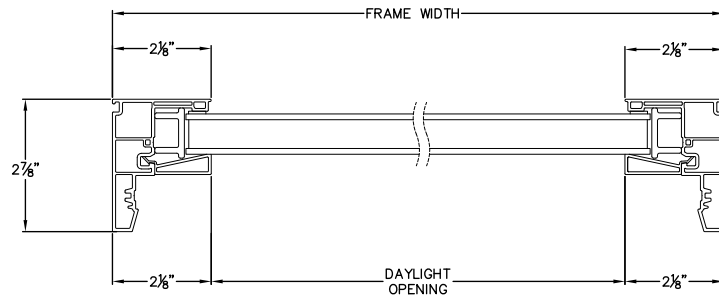
CAD File Scale	View	File Name	Units	Revision
NTS	Horizontal & Vertical	Trinsic_2350_CADG_block	Inch	8/2018

More Technical Documents can be found at [milgard.com/professionals](http://milgard.com/professionals)  
Due to continual research and development, details may be changed at any time. ©2018 Milgard Mfg.

## CASEMENT PICTURE WINDOW SERIES 2350



HEAD & SILL



JAMBS

Revit, SketchUp, .PDF and .DWG files can be accessed at  
[milgard.com/professionals/technical-resources](http://milgard.com/professionals/technical-resources)

[Go back to Quick Links](#)



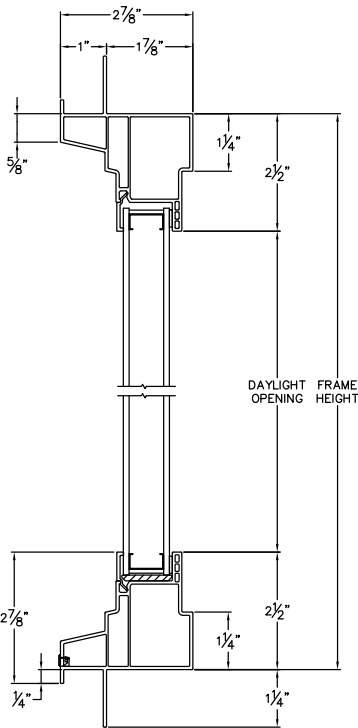
# Picture/Radius Window

2 Lites Vertical - 1-3/8" Fin Setback - Casement Frame

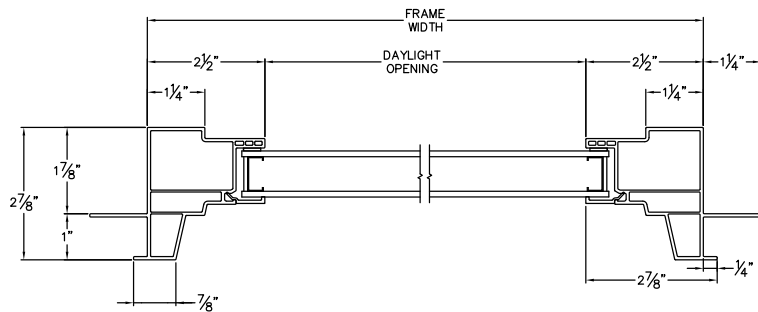
CAD File Scale	View	File Name	Units	Revision
NTS	Horizontal & Vertical	Trinsic_2330_PW_1in Stucco	Inch	08/2018

More Technical Documents can be found at [milgard.com/professionals](http://milgard.com/professionals)  
Due to continual research and development, details may be changed at any time. ©2018 Milgard Mfg.

## PICTURE WINDOW SERIES 2330



HEAD & SILL



JAMBS

Revit, SketchUp, .PDF and .DWG files can be accessed at [milgard.com/professionals/technical-resources](http://milgard.com/professionals/technical-resources)

[Go back to Quick Links](#)

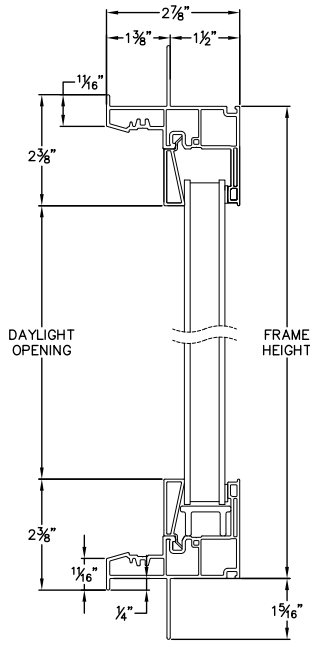
# Picture/Radius Window

2 Lites Vertical - 1-3/8" Fin Setback with stucco key - Casement Frame

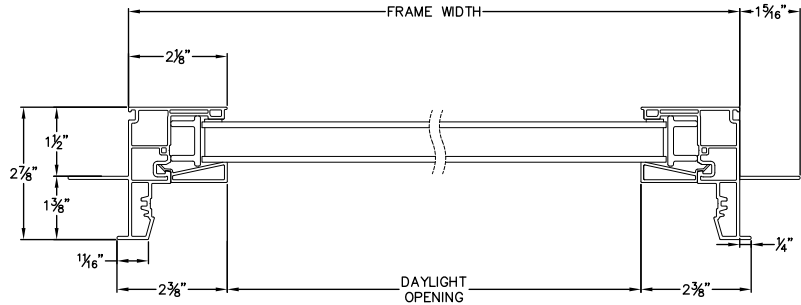
CAD File Scale	View	File Name	Units	Revision
NTS	Horizontal & Vertical	Trinsic_2351_CADG_1.375in_stucco	Inch	8/2018

More Technical Documents can be found at [milgard.com/professionals](http://milgard.com/professionals)  
Due to continual research and development, details may be changed at any time. ©2018 Milgard Mfg.

## PICTURE WINDOW, CASEMENT FRAME SERIES 2351



HEAD & SILL



JAMBS

Revit, SketchUp, .PDF and .DWG files can be accessed at  
[milgard.com/professionals/technical-resources](http://milgard.com/professionals/technical-resources)

[Go back to Quick Links](#)

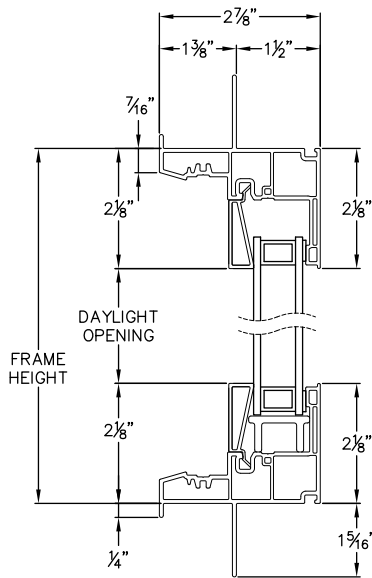
# Picture/Radius Window

2 Lites Vertical - 1-3/8" Fin Setback with stucco key - Casement Frame

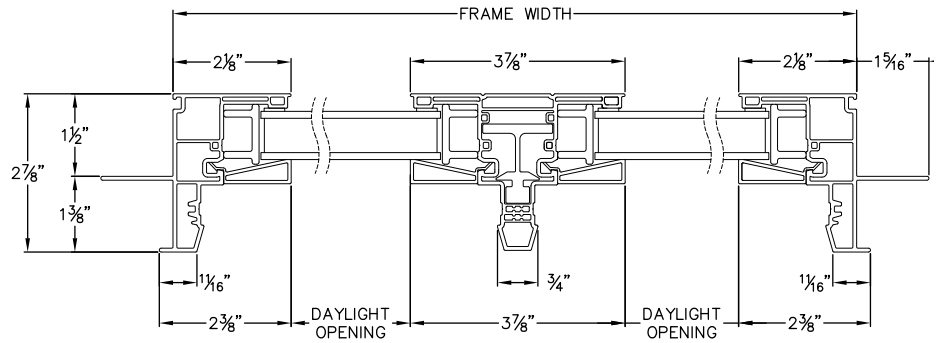
CAD File Scale	View	File Name	Units	Revision
NTS	Horizontal & Vertical	Trinsic_2351_PW2VCA_1.375in_stucco	Inch	8/2018

More Technical Documents can be found at [milgard.com/professionals](http://milgard.com/professionals)  
Due to continual research and development, details may be changed at any time. ©2018 Milgard Mfg.

## PICTURE WINDOW SERIES 2351



HEAD & SILL



JAMBS

Revit, SketchUp, .PDF and .DWG files can be accessed at  
[milgard.com/professionals/technical-resources](http://milgard.com/professionals/technical-resources)

[Go back to Quick Links](#)

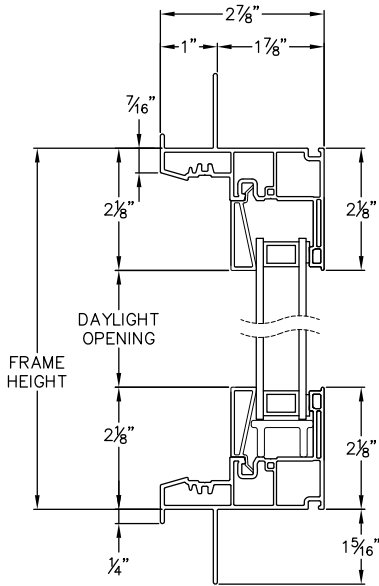
# Picture/Radius Window

2 Lites Vertical - 1" Fin Setback with stucco key - Casement Frame

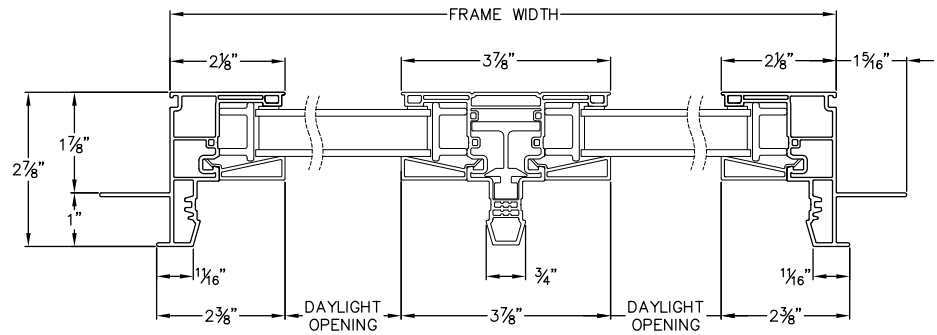
CAD File Scale	View	File Name	Units	Revision
NTS	Horizontal & Vertical	Trinsic_2360_PW2VCA_1in_stucco	Inch	8/2018

More Technical Documents can be found at [milgard.com/professionals](http://milgard.com/professionals)  
Due to continual research and development, details may be changed at any time. ©2018 Milgard Mfg.

## PICTURE WINDOW SERIES 2360



HEAD & SILL



JAMBS

Revit, SketchUp, .PDF and .DWG files can be accessed at  
[milgard.com/professionals/technical-resources](http://milgard.com/professionals/technical-resources)

[Go back to Quick Links](#)

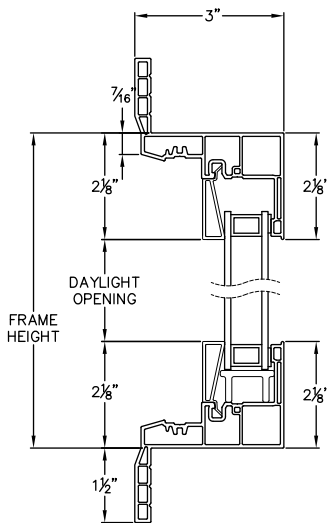
# Picture/Radius Window

2 Lites Vertical - 1-1/2" Contour Z-bar - Casement Frame

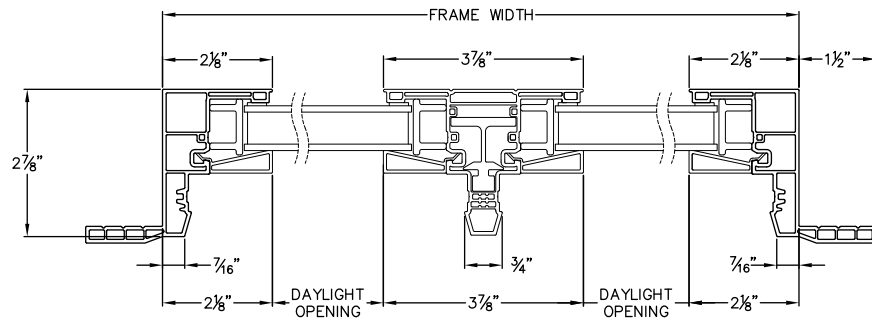
CAD File Scale	View	File Name	Units	Revision
NTS	Horizontal & Vertical	Trinsic_2375_PW2VCA_1.5in_z-bar	Inch	8/2018

More Technical Documents can be found at [milgard.com/professionals](http://milgard.com/professionals)  
Due to continual research and development, details may be changed at any time. ©2018 Milgard Mfg.

## PICTURE WINDOW SERIES 2375



HEAD & SILL



JAMBS

Revit, SketchUp, .PDF and .DWG files can be accessed at  
[milgard.com/professionals/technical-resources](http://milgard.com/professionals/technical-resources)

[Go back to Quick Links](#)

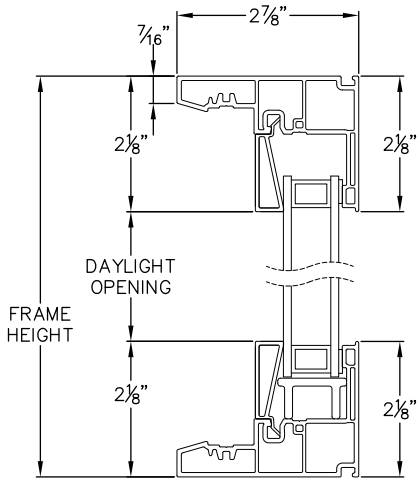
# Picture/Radius Window

2 Lites Vertical - Block Frame - Casement Frame

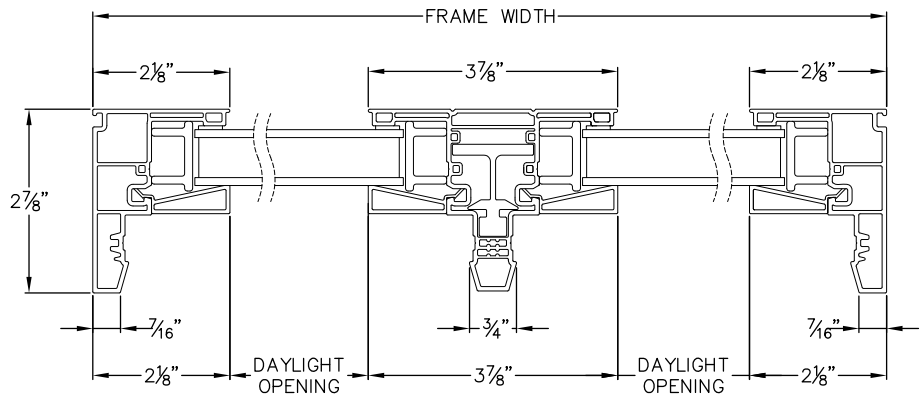
CAD File Scale	View	File Name	Units	Revision
NTS	Horizontal & Vertical	Trinsic_2350_PW2VCA_block	Inch	8/2018

More Technical Documents can be found at [milgard.com/professionals](http://milgard.com/professionals)  
Due to continual research and development, details may be changed at any time. ©2018 Milgard Mfg.

## PICTURE WINDOW SERIES 2350



HEAD & SILL



JAMBS

Revit, SketchUp, .PDF and .DWG files can be accessed at  
[milgard.com/professionals/technical-resources](http://milgard.com/professionals/technical-resources)

[Go back to Quick Links](#)

# Single Hung Window



The Trinsic™ Series vinyl (PVC) Single Hung window blends the energy efficiency and low maintenance of vinyl with clean lines and even sightlines.

The result is a window with maximum glass area. Available in white, tan, and clay (select regions), as well as premium painted exteriors. The windows will maintain their color and shape and can be constructed to your exact size specifications.

Please also see:

[Components](#)

[Options](#)

[Hardware](#)

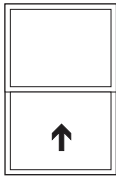
[Premium Exterior Vinyl Finishes](#)

[Full Lifetime Warranty](#)

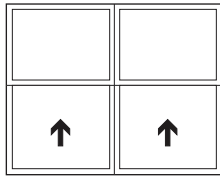


# Single Hung Window

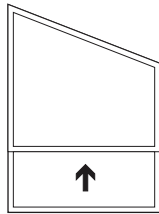
## Configurations



Single Hung



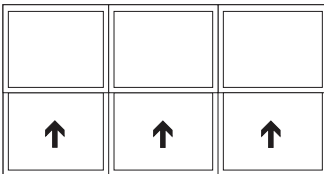
Double Single Hung



Gable Top Single Hung



Double Single Hung/Center Lite



Triple Single Hung

## Minimum/Maximum Sizes

### Single-Hung

– Min 1'0<sup>6</sup>      Max 4'6<sup>6</sup>

### Triple Single-Hung

– Min 3'0<sup>6</sup>      Max 9'6<sup>3</sup>

## Available Frame Styles

- 1-3/8" Nail Fin Setback
- 1" Nail Fin Setback with Stucco Key
- 1" Nail Fin Setback with J-Channel
- 1-1/2" Contour Z-bar
- Block Frame (no fin)

*NOTE: For engineering approval contact your Milgard representative for any configuration over 40 square feet. Each Milgard Manufacturing plant reserves the right to alter or change sizes and configurations according to location capabilities. Ask your Milgard rep about specialty applications. Windows over 40 square feet shipped open for field glazing. Varies by location.*

*Not all frame styles available at all Milgard locations. Contact your Milgard Representative for more information.*



# Drawings - Quick Links

## Single Hung Window

106—1-3/8" Fin Setback

107—1-3/8" Fin Setback with Stucco Key

108—Single Hung Above - 1-3/8" Fin Setback

109—Single Hung Below - 1-3/8" Fin Setback

110—Single Hung Above - 1-3/8" Fin Setback with Stucco Key

111—Single Hung Below - 1-3/8" Fin Setback with Stucco Key

112—Triple Single Hung - 1-3/8" Fin Setback

113—Triple Single Hung - 1-3/8" Fin Setback with Stucco Key

114—Block Frame

115—Single Hung Above - Block Frame

116—Single Hung Below - Block Frame

117—Triple Single Hung - Block Frame

118—1" Fin Setback with J-channel

119—1" Fin Setback with Stucco Key

120—Single Hung Above - 1" Fin Setback with Stucco Key

121—Triple Single Hung - 1" Fin Setback with Stucco Key

122—Single Hung Below - 1" Fin Setback with Stucco Key

123—Single Hung Above - 1" Fin Setback with J-Channel

124—Single Hung Below - 1" Fin Setback with J-Channel

125—Triple Single Hung - 1" Fin Setback with J-channel

126—1-1/2" Z-bar

127—Single Hung Above - 1-1/2" Contour Z-bar

128—Single Hung Below - 1-1/2" Contour Z-bar

129—Triple Single Hung - 1-1/2" Contour Z-bar

Revit, SketchUp, .PDF and .DWG files can be accessed at [milgard.com/professionals/technical-resources](http://milgard.com/professionals/technical-resources)

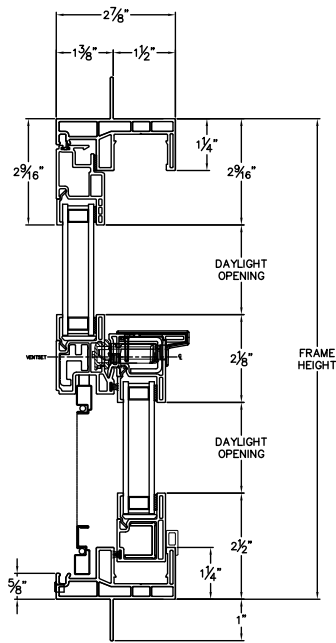
# Single Hung Window

1-3/8" Fin Setback

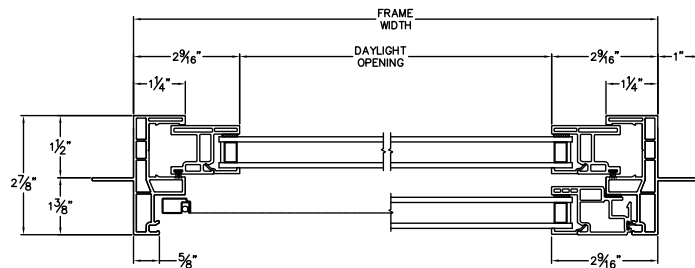
CAD File Scale	View	File Name	Units	Revision
NTS	Horizontal & Vertical	Trinsic_2210_SH_1.375in	Inch	08/2018

More Technical Documents can be found at [milgard.com/professionals](http://milgard.com/professionals)  
Due to continual research and development, details may be changed at any time. ©2018 Milgard Mfg.

## SINGLE HUNG SERIES 2210



HEAD & SILL



JAMBS

Revit, SketchUp, .PDF and .DWG files can be accessed at  
[milgard.com/professionals/technical-resources](http://milgard.com/professionals/technical-resources)

[Go back to Quick Links](#)

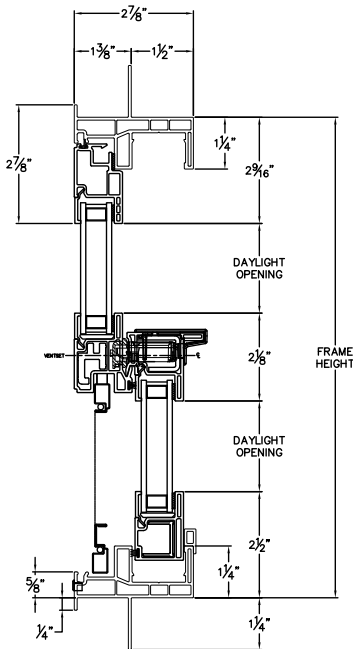
# Single Hung Window

1-3/8" Fin Setback with Stucco Key

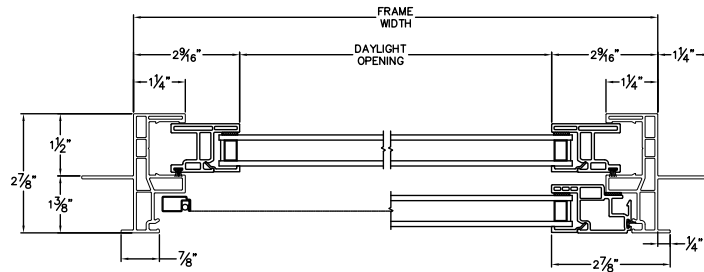
CAD File Scale	View	File Name	Units	Revision
NTS	Horizontal & Vertical	Trinsic_2211_SH_1.375in_Stucco	Inch	08/2018

More Technical Documents can be found at [milgard.com/professionals](http://milgard.com/professionals)  
Due to continual research and development, details may be changed at any time. ©2018 Milgard Mfg.

## SINGLE HUNG SERIES 2211



HEAD & SILL



JAMBS

Revit, SketchUp, .PDF and .DWG files can be accessed at  
[milgard.com/professionals/technical-resources](http://milgard.com/professionals/technical-resources)

[Go back to Quick Links](#)

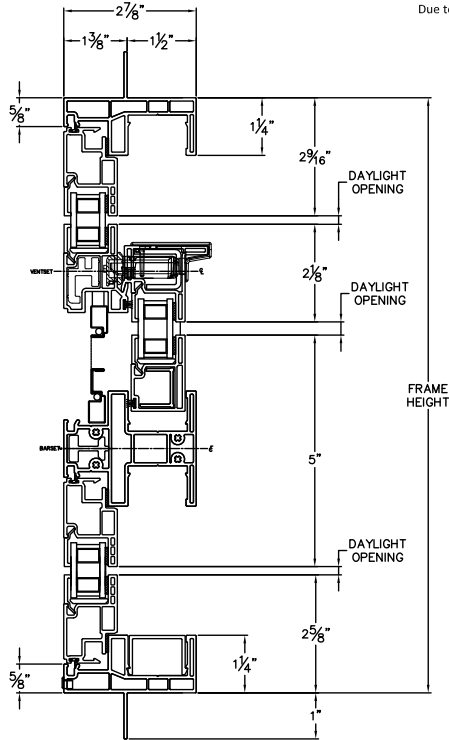
# Single Hung Window

Single Hung Above - 1-3/8" Fin Setback

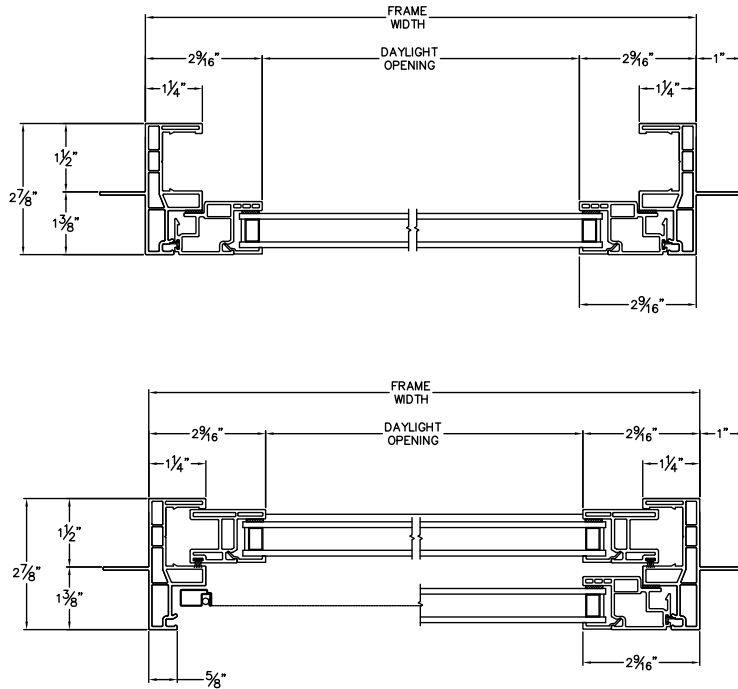
CAD File Scale	View	File Name	Units	Revision
NTS	Horizontal & Vertical	Trinsic_2210_SHA_1.375in	Inch	08/2018

More Technical Documents can be found at [milgard.com/professionals](http://milgard.com/professionals)  
Due to continual research and development, details may be changed at any time. ©2018 Milgard Mfg.

## SINGLE HUNG ABOVE SERIES 2210



HEAD & SILL



JAMBS

Revit, SketchUp, .PDF and .DWG files can be accessed at  
[milgard.com/professionals/technical-resources](http://milgard.com/professionals/technical-resources)

[Go back to Quick Links](#)

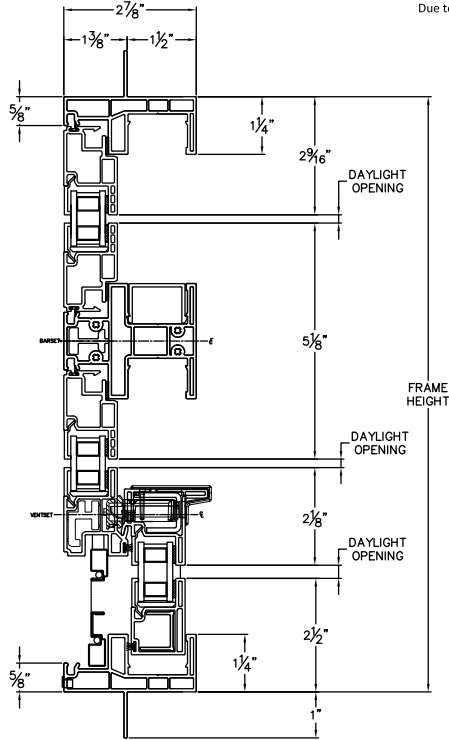
# Single Hung Window

## Single Hung Below - 1-3/8" Fin Setback

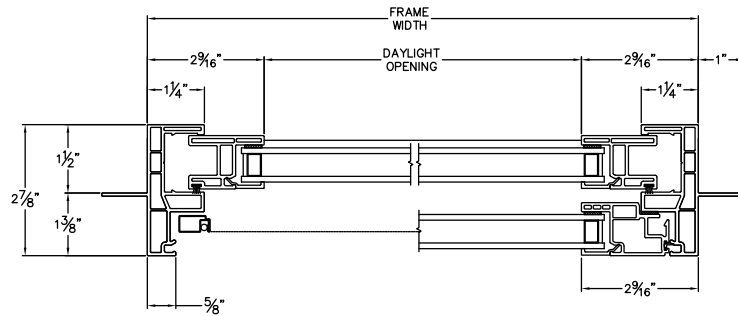
CAD File Scale	View	File Name	Units	Revision
NTS	Horizontal & Vertical	Trinsic_2210_SHB_1.375in	Inch	08/2018

More Technical Documents can be found at [milgard.com/professionals](http://milgard.com/professionals)  
Due to continual research and development, details may be changed at any time. ©2018 Milgard Mfg.

### SINGLE HUNG BELOW SERIES 2210



HEAD & SILL



JAMBS

Revit, SketchUp, .PDF and .DWG files can be accessed at  
[milgard.com/professionals/technical-resources](http://milgard.com/professionals/technical-resources)

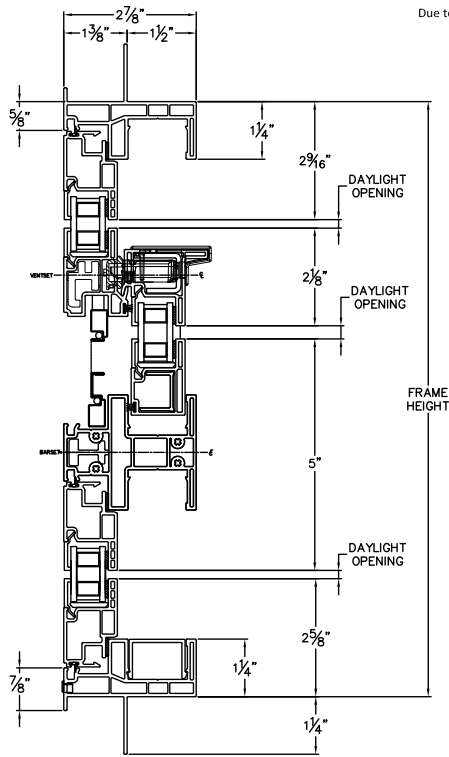
[Go back to Quick Links](#)

# Single Hung Window

## Single Hung Above - 1-3/8" Fin Setback with Stucco Key

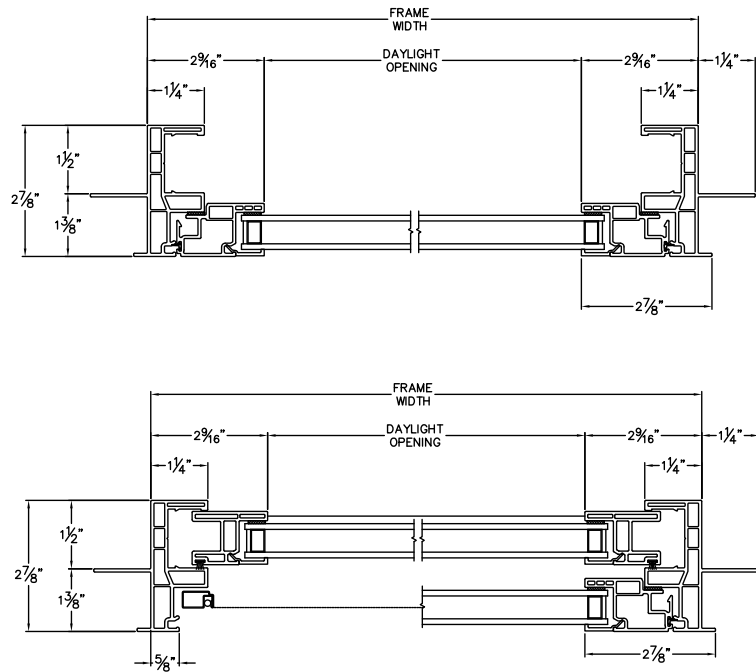
CAD File Scale	View	File Name	Units	Revision
NTS	Horizontal & Vertical	Trinsic_2211_SHA_1.375in_Stucco	Inch	08/2018

More Technical Documents can be found at [milgard.com/professionals](http://milgard.com/professionals)  
Due to continual research and development, details may be changed at any time. ©2018 Milgard Mfg.



HEAD & SILL

### SINGLE HUNG ABOVE SERIES 2211



JAMBS

Revit, SketchUp, .PDF and .DWG files can be accessed at  
[milgard.com/professionals/technical-resources](http://milgard.com/professionals/technical-resources)

[Go back to Quick Links](#)

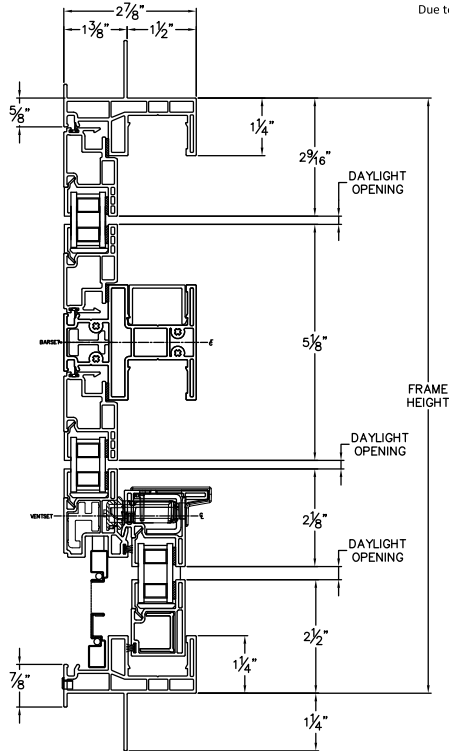
# Single Hung Window

## Single Hung Below - 1-3/8" Fin Setback with Stucco Key

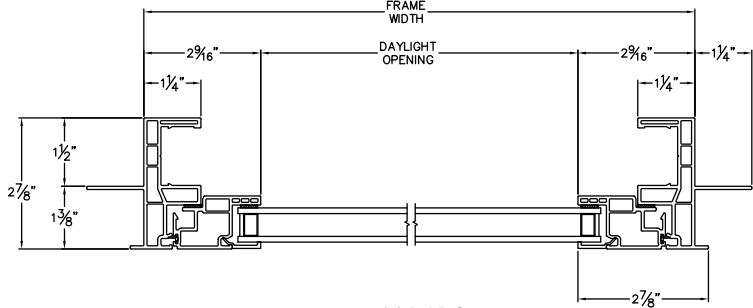
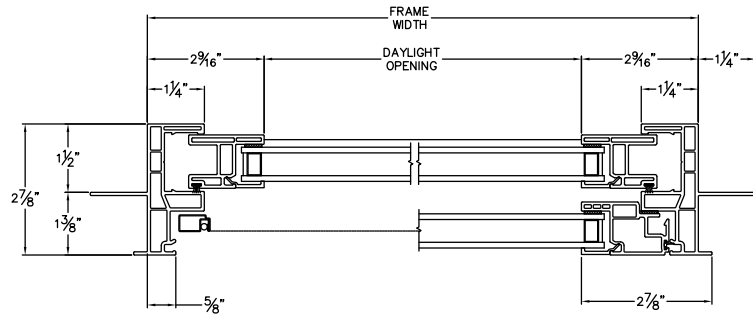
CAD File Scale	View	File Name	Units	Revision
NTS	Horizontal & Vertical	Trinsic_2211_SHB_1.375in_Stucco	Inch	08/2018

More Technical Documents can be found at [milgard.com/professionals](http://milgard.com/professionals)  
Due to continual research and development, details may be changed at any time. ©2018 Milgard Mfg.

### SINGLE HUNG BELOW SERIES 2211



HEAD & SILL



JAMBS

Revit, SketchUp, .PDF and .DWG files can be accessed at  
[milgard.com/professionals/technical-resources](http://milgard.com/professionals/technical-resources)

[Go back to Quick Links](#)

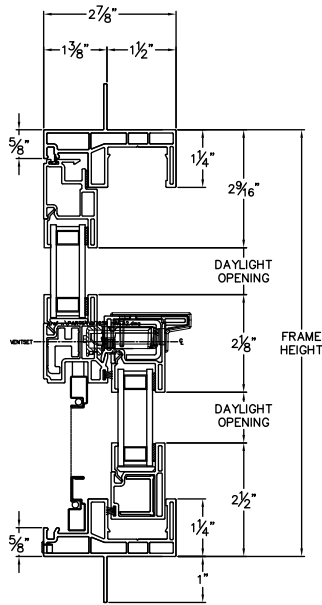
# Single Hung Window

Triple Single Hung - 1-3/8" Fin Setback

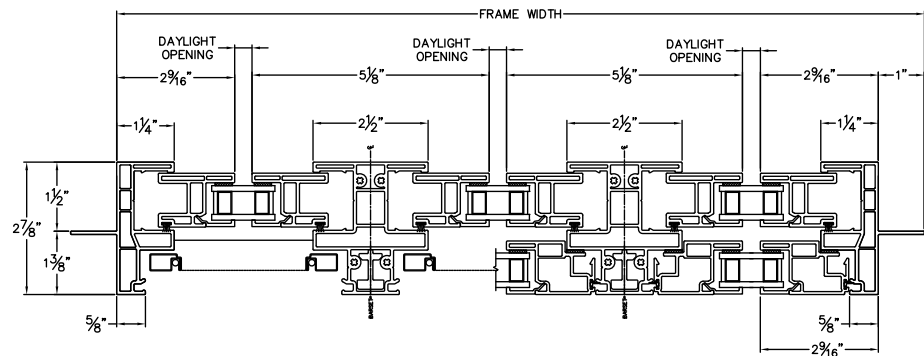
CAD File Scale	View	File Name	Units	Revision
NTS	Horizontal & Vertical	Trinsic_2210_TSH_1.375in	Inch	08/2018

More Technical Documents can be found at [milgard.com/professionals](http://milgard.com/professionals)  
Due to continual research and development, details may be changed at any time. ©2018 Milgard Mfg.

## TRIPLE SINGLE HUNG SERIES 2210



HEAD & SILL



JAMBS

Revit, SketchUp, .PDF and .DWG files can be accessed at  
[milgard.com/professionals/technical-resources](http://milgard.com/professionals/technical-resources)

[Go back to Quick Links](#)



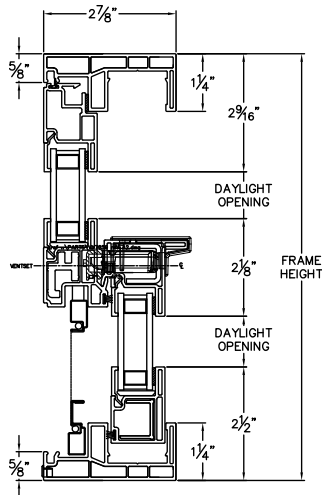
# Single Hung Window

Triple Single Hung - 1-3/8" Fin Setback with Stucco Key

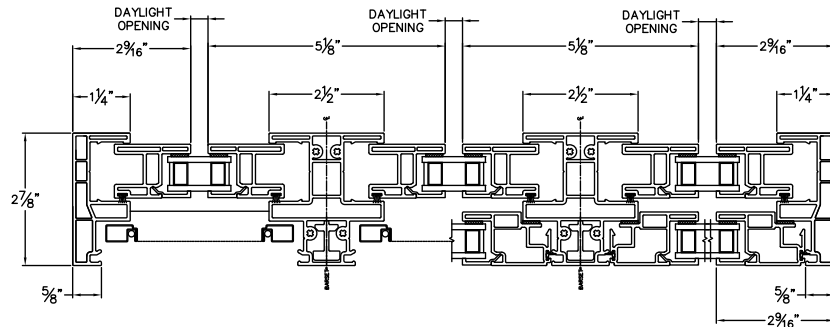
CAD File Scale	View	File Name	Units	Revision
NTS	Horizontal & Vertical	Trinsic_2210_TSH_Block	Inch	08/2018

More Technical Documents can be found at [milgard.com/professionals](http://milgard.com/professionals)  
Due to continual research and development, details may be changed at any time. ©2018 Milgard Mfg.

## TRIPLE SINGLE HUNG SERIES 2210



HEAD & SILL



JAMBS

Revit, SketchUp, .PDF and .DWG files can be accessed at  
[milgard.com/professionals/technical-resources](http://milgard.com/professionals/technical-resources)

[Go back to Quick Links](#)

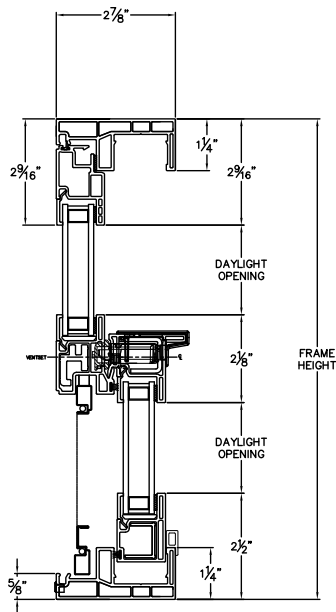
# Single Hung Window

## Block Frame

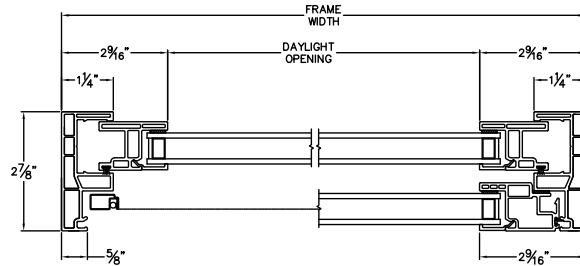
CAD File Scale	View	File Name	Units	Revision
NTS	Horizontal & Vertical	Trinsic_2210_SH_Block	Inch	08/2018

More Technical Documents can be found at [milgard.com/professionals](http://milgard.com/professionals)  
Due to continual research and development, details may be changed at any time. ©2018 Milgard Mfg.

### SINGLE HUNG SERIES 2210



HEAD & SILL



JAMBS

Revit, SketchUp, .PDF and .DWG files can be accessed at  
[milgard.com/professionals/technical-resources](http://milgard.com/professionals/technical-resources)

[Go back to Quick Links](#)

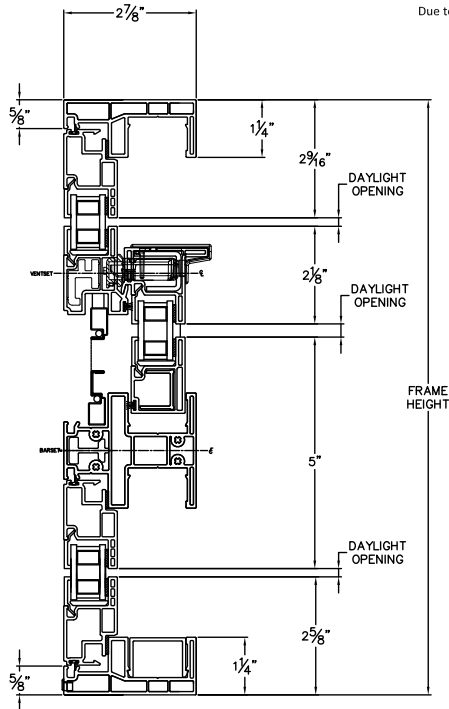
# Single Hung Window

## Single Hung Above - Block Frame

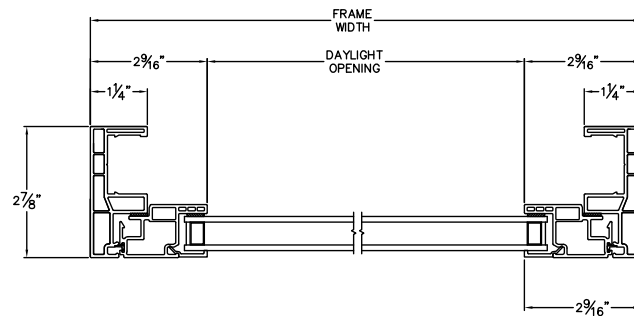
CAD File Scale	View	File Name	Units	Revision
NTS	Horizontal & Vertical	Trinsic_2210_SHA_Block	Inch	08/2018

More Technical Documents can be found at [milgard.com/professionals](http://milgard.com/professionals)  
Due to continual research and development, details may be changed at any time. ©2018 Milgard Mfg.

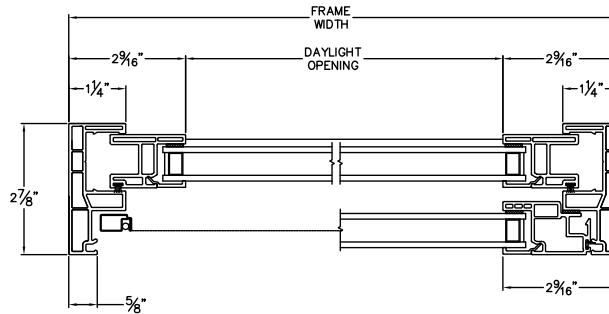
### SINGLE HUNG ABOVE SERIES 2210



HEAD & SILL



JAMBS



Revit, SketchUp, .PDF and .DWG files can be accessed at  
[milgard.com/professionals/technical-resources](http://milgard.com/professionals/technical-resources)

[Go back to Quick Links](#)

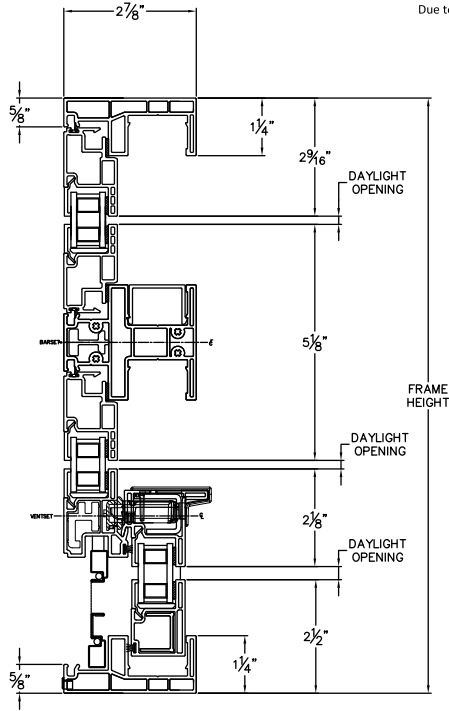
# Single Hung Window

## Single Hung Below - Block Frame

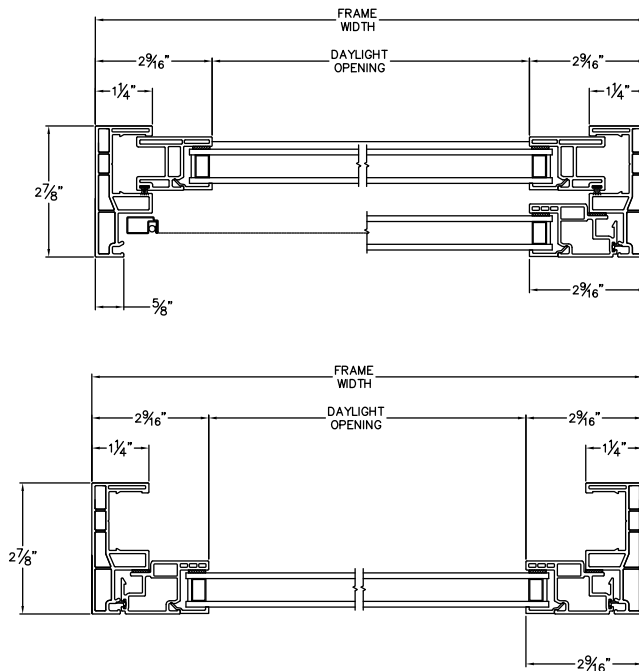
CAD File Scale	View	File Name	Units	Revision
NTS	Horizontal & Vertical	Trinsic_2210_SHB_Block	Inch	08/2018

More Technical Documents can be found at [milgard.com/professionals](http://milgard.com/professionals)  
Due to continual research and development, details may be changed at any time. ©2018 Milgard Mfg.

### SINGLE HUNG BELOW SERIES 2210



HEAD & SILL



JAMBS

Revit, SketchUp, .PDF and .DWG files can be accessed at  
[milgard.com/professionals/technical-resources](http://milgard.com/professionals/technical-resources)

[Go back to Quick Links](#)

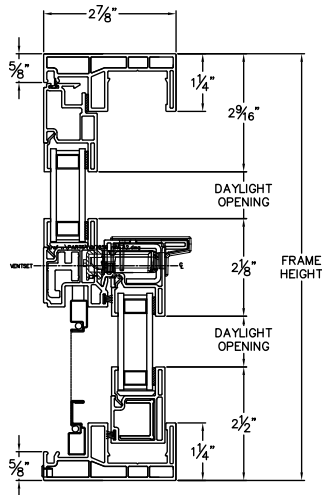
# Single Hung Window

## Triple Single Hung - Block Frame

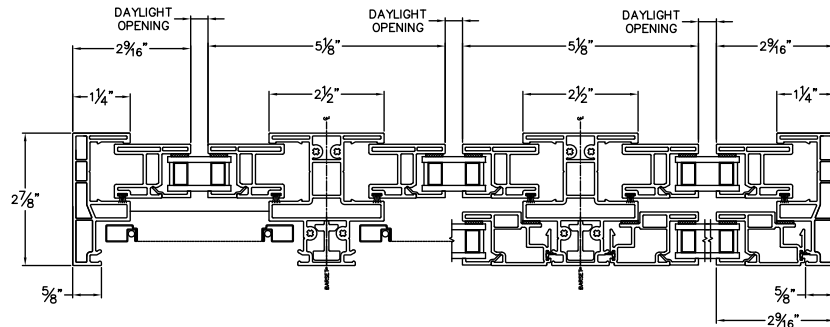
CAD File Scale	View	File Name	Units	Revision
NTS	Horizontal & Vertical	Trinsic_2210_TSH_Block	Inch	08/2018

More Technical Documents can be found at [milgard.com/professionals](http://milgard.com/professionals)  
Due to continual research and development, details may be changed at any time. ©2018 Milgard Mfg.

### TRIPLE SINGLE HUNG SERIES 2210



HEAD & SILL



JAMBS

Revit, SketchUp, .PDF and .DWG files can be accessed at  
[milgard.com/professionals/technical-resources](http://milgard.com/professionals/technical-resources)

[Go back to Quick Links](#)

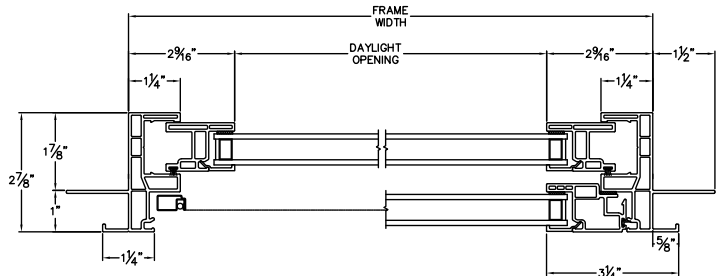
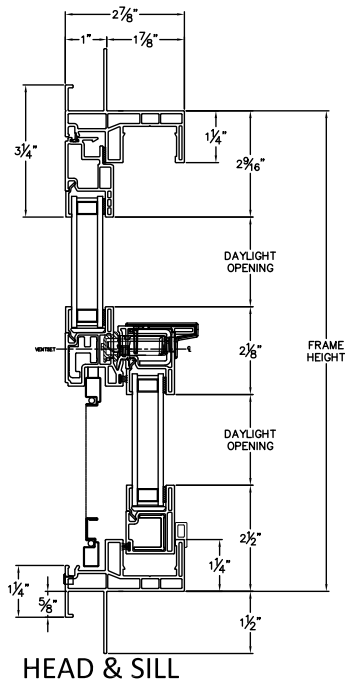
# Single Hung Window

1" Fin Setback with J-channel

CAD File Scale	View	File Name	Units	Revision
NTS	Horizontal & Vertical	Trinsic_2230J_SH_1in_J-Channel	Inch	08/2018

More Technical Documents can be found at [milgard.com/professionals](http://milgard.com/professionals)  
Due to continual research and development, details may be changed at any time. ©2018 Milgard Mfg.

## SINGLE HUNG SERIES 2230J



Revit, SketchUp, .PDF and .DWG files can be accessed at  
[milgard.com/professionals/technical-resources](http://milgard.com/professionals/technical-resources)

[Go back to Quick Links](#)

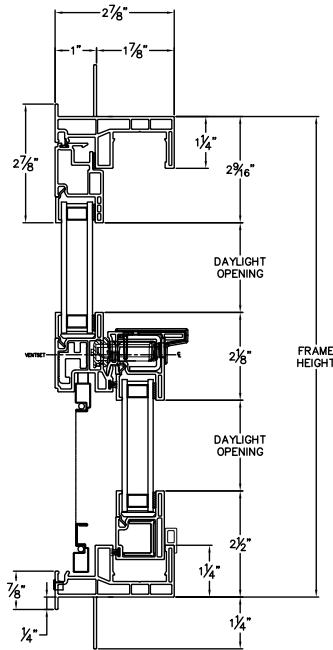
# Single Hung Window

1" Fin Setback with Stucco Key

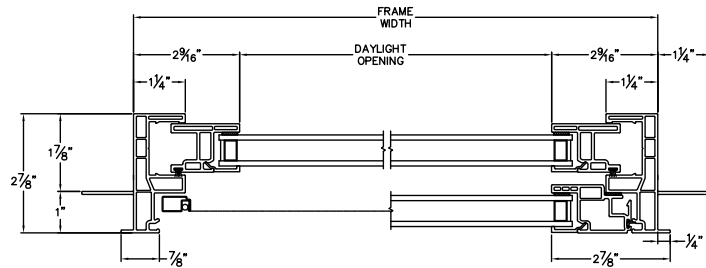
CAD File Scale	View	File Name	Units	Revision
NTS	Horizontal & Vertical	Trinsic_2230_SH_1in_Stucco	Inch	08/2018

More Technical Documents can be found at [milgard.com/professionals](http://milgard.com/professionals)  
Due to continual research and development, details may be changed at any time. ©2018 Milgard Mfg.

## SINGLE HUNG SERIES 2230



HEAD & SILL



JAMBS

Revit, SketchUp, .PDF and .DWG files can be accessed at  
[milgard.com/professionals/technical-resources](http://milgard.com/professionals/technical-resources)

[Go back to Quick Links](#)

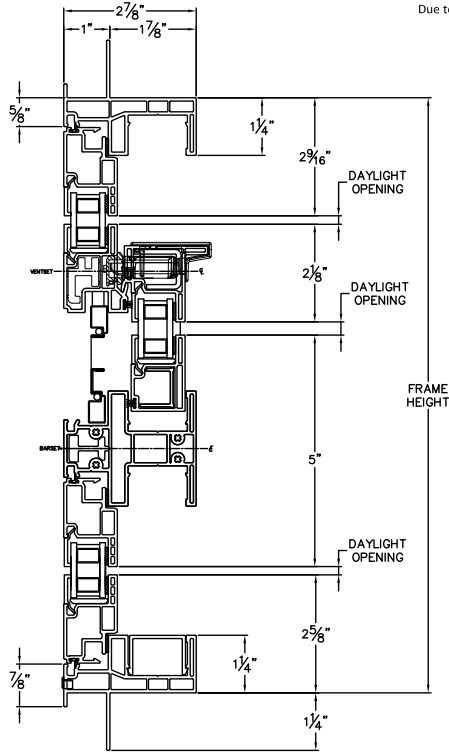
# Single Hung Window

## Single Hung Above - 1" Fin Setback with Stucco Key

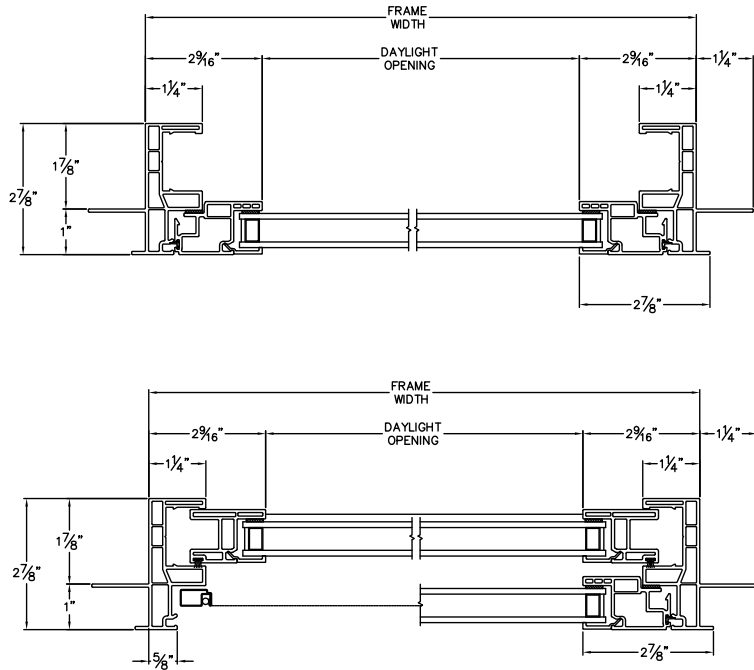
CAD File Scale	View	File Name	Units	Revision
NTS	Horizontal & Vertical	Trinsic_2230_SHA_1in_Stucco	Inch	08/2018

More Technical Documents can be found at [milgard.com/professionals](http://milgard.com/professionals)  
Due to continual research and development, details may be changed at any time. ©2018 Milgard Mfg.

### SINGLE HUNG ABOVE SERIES 2230



HEAD & SILL



JAMBS

Revit, SketchUp, .PDF and .DWG files can be accessed at  
[milgard.com/professionals/technical-resources](http://milgard.com/professionals/technical-resources)

[Go back to Quick Links](#)



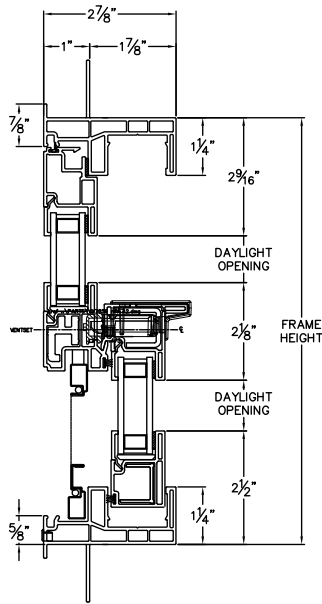
# Single Hung Window

## Triple Single Hung - 1" Fin Setback with Stucco Key

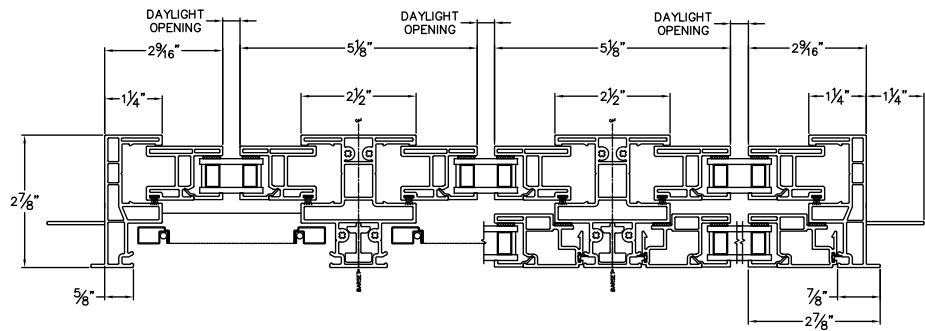
CAD File Scale	View	File Name	Units	Revision
NTS	Horizontal & Vertical	Trinsic_2230_TSH_1in_Stucco	Inch	08/2018

More Technical Documents can be found at [milgard.com/professionals](http://milgard.com/professionals)  
Due to continual research and development, details may be changed at any time. ©2018 Milgard Mfg.

### TRIPLE SINGLE HUNG SERIES 2230



HEAD & SILL



JAMBS

Revit, SketchUp, .PDF and .DWG files can be accessed at  
[milgard.com/professionals/technical-resources](http://milgard.com/professionals/technical-resources)

[Go back to Quick Links](#)

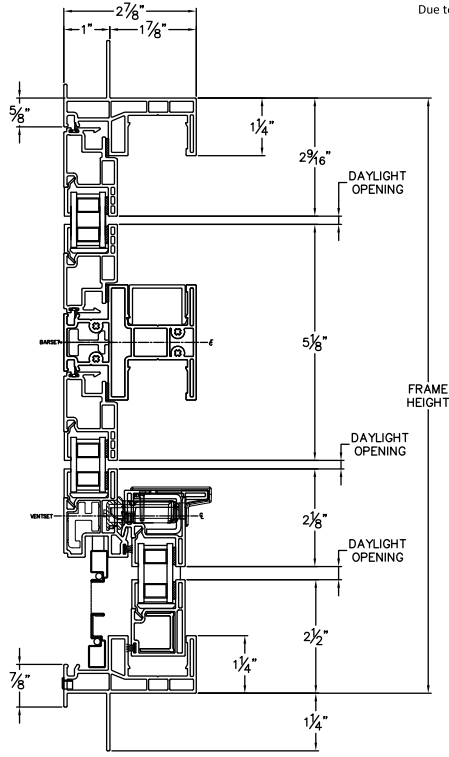
# Single Hung Window

## Single Hung Below - 1" Fin Setback with Stucco Key

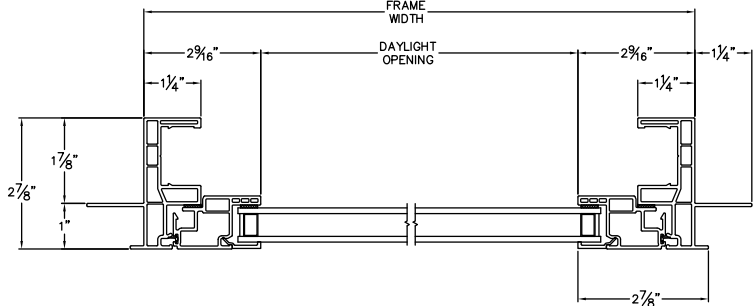
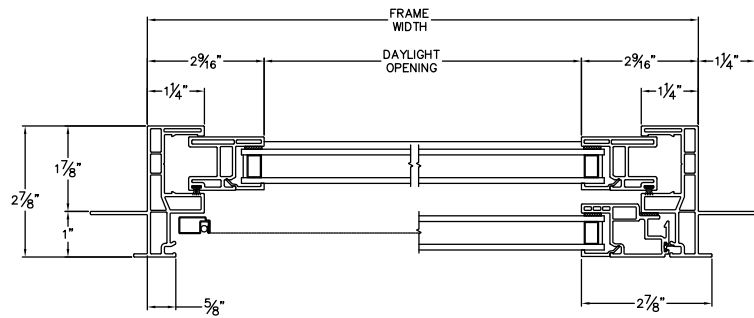
CAD File Scale	View	File Name	Units	Revision
NTS	Horizontal & Vertical	Trinsic_2230_SHB_1in_Stucco	Inch	08/2018

More Technical Documents can be found at [milgard.com/professionals](http://milgard.com/professionals)  
Due to continual research and development, details may be changed at any time. ©2018 Milgard Mfg.

### SINGLE HUNG BELOW SERIES 2230



HEAD & SILL



JAMBS

Revit, SketchUp, .PDF and .DWG files can be accessed at  
[milgard.com/professionals/technical-resources](http://milgard.com/professionals/technical-resources)

[Go back to Quick Links](#)

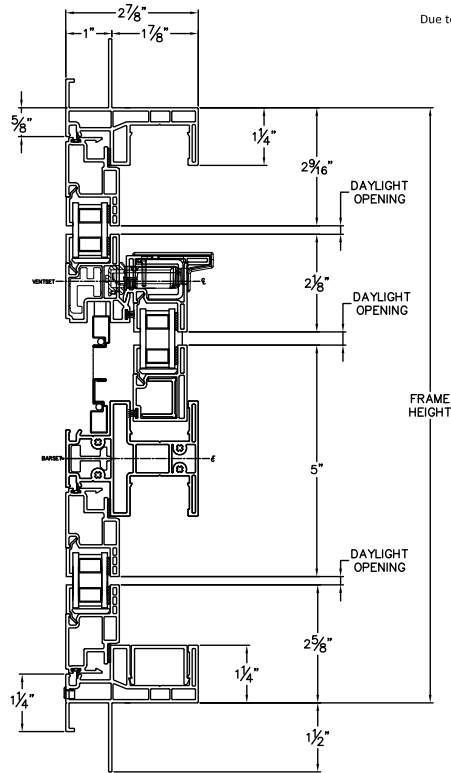
# Single Hung Window

## Single Hung Above - 1" Fin Setback with J-Channel

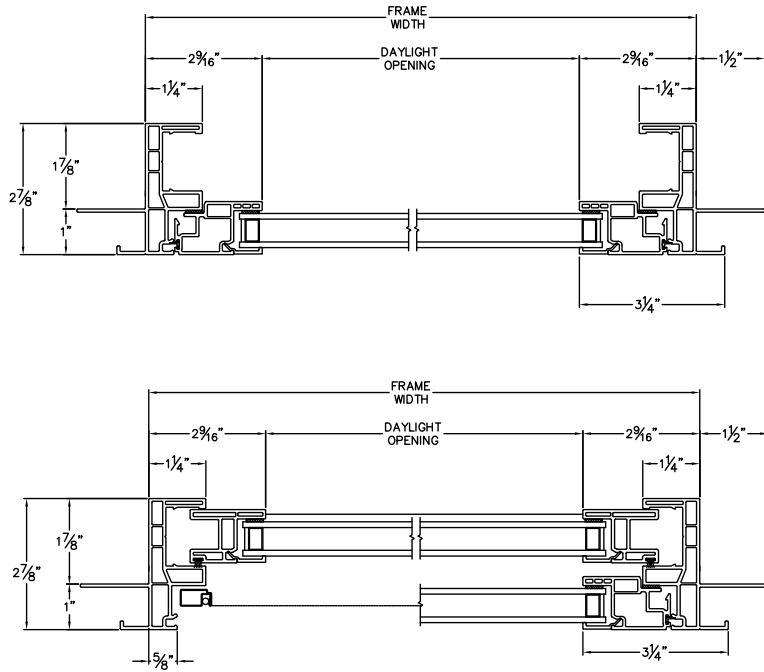
CAD File Scale	View	File Name	Units	Revision
NTS	Horizontal & Vertical	Trinsic_2230J_SHA_1in_J-Channel	Inch	08/2018

More Technical Documents can be found at [milgard.com/professionals](http://milgard.com/professionals)  
Due to continual research and development, details may be changed at any time. ©2018 Milgard Mfg.

### SINGLE HUNG ABOVE SERIES 2230J



HEAD & SILL



JAMBS

Revit, SketchUp, .PDF and .DWG files can be accessed at  
[milgard.com/professionals/technical-resources](http://milgard.com/professionals/technical-resources)

[Go back to Quick Links](#)

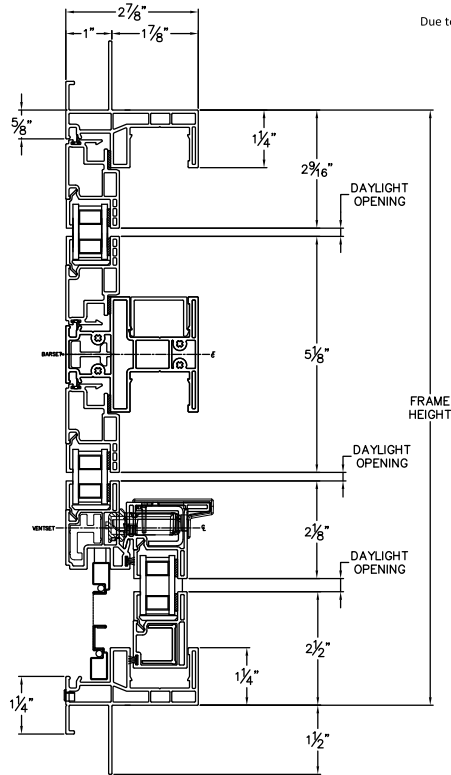
# Single Hung Window

## Single Hung Below - 1" Fin Setback with J-Channel

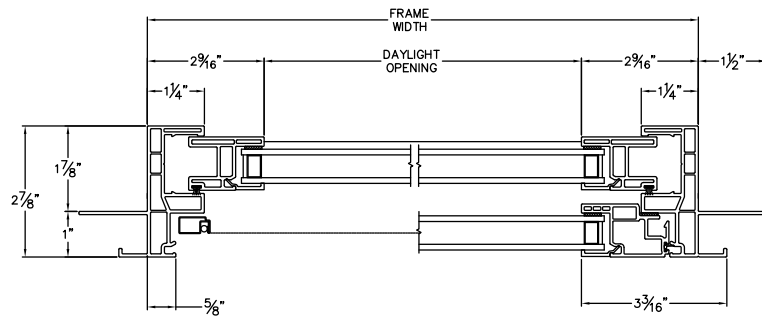
CAD File Scale	View	File Name	Units	Revision
NTS	Horizontal & Vertical	Trinsic_2230J_SHB_1in_J-Channel	Inch	08/2018

More Technical Documents can be found at [milgard.com/professionals](http://milgard.com/professionals)  
Due to continual research and development, details may be changed at any time. ©2018 Milgard Mfg.

### SINGLE HUNG BELOW SERIES 2230J



HEAD & SILL



JAMBS

Revit, SketchUp, .PDF and .DWG files can be accessed at  
[milgard.com/professionals/technical-resources](http://milgard.com/professionals/technical-resources)

[Go back to Quick Links](#)

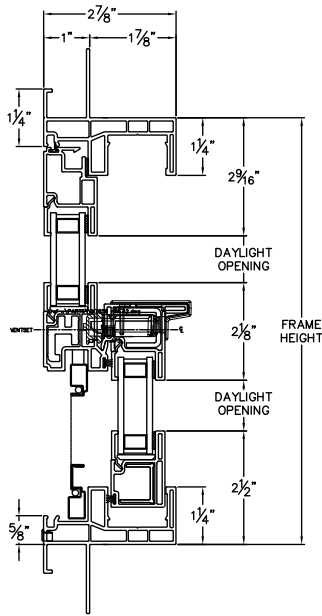
# Single Hung Window

## Triple Single Hung - 1" Fin Setback with J-channel

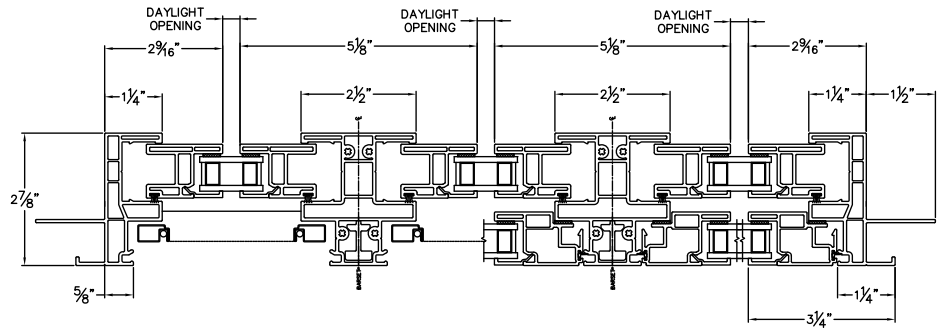
CAD File Scale	View	File Name	Units	Revision
NTS	Horizontal & Vertical	Trinsic_2230J_TSH_1in_J-Channel	Inch	08/2018

More Technical Documents can be found at [milgard.com/professionals](http://milgard.com/professionals)  
Due to continual research and development, details may be changed at any time. ©2018 Milgard Mfg.

### TRIPLE SINGLE HUNG SERIES 2230J



HEAD & SILL



JAMBS

Revit, SketchUp, .PDF and .DWG files can be accessed at  
[milgard.com/professionals/technical-resources](http://milgard.com/professionals/technical-resources)

[Go back to Quick Links](#)

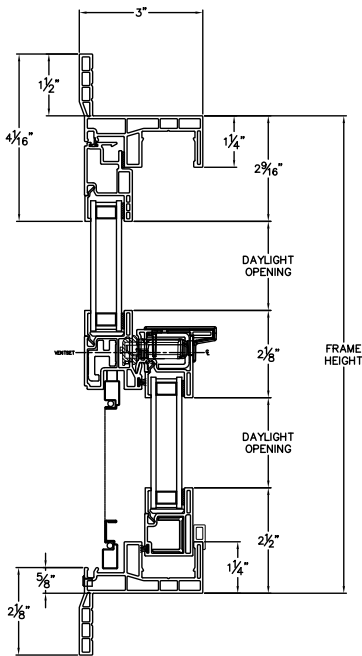
# Single Hung Window

1-1/2" Z-bar

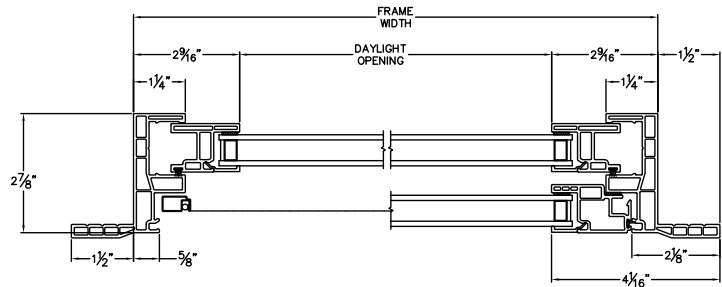
CAD File Scale	View	File Name	Units	Revision
NTS	Horizontal & Vertical	Trinsic_2270_SH_1.5in_Z-Bar	Inch	08/2018

More Technical Documents can be found at [milgard.com/professionals](http://milgard.com/professionals)  
Due to continual research and development, details may be changed at any time. ©2018 Milgard Mfg.

## SINGLE HUNG SERIES 2270



HEAD & SILL



JAMBS

Revit, SketchUp, .PDF and .DWG files can be accessed at  
[milgard.com/professionals/technical-resources](http://milgard.com/professionals/technical-resources)

[Go back to Quick Links](#)

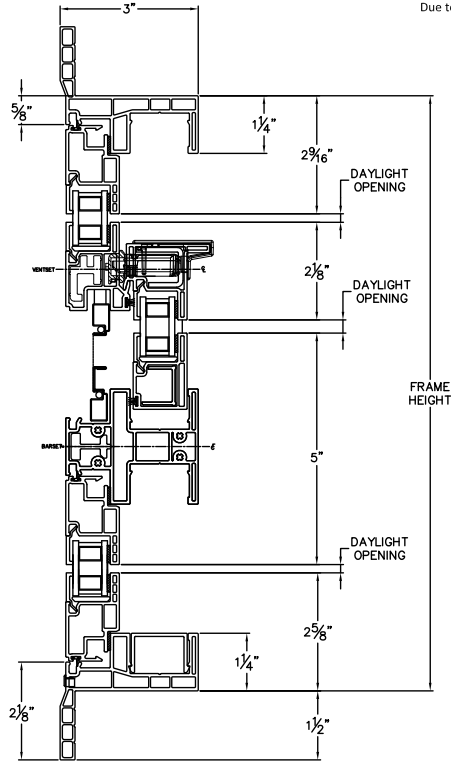
# Single Hung Window

## Single Hung Above - 1-1/2" Contour Z-bar

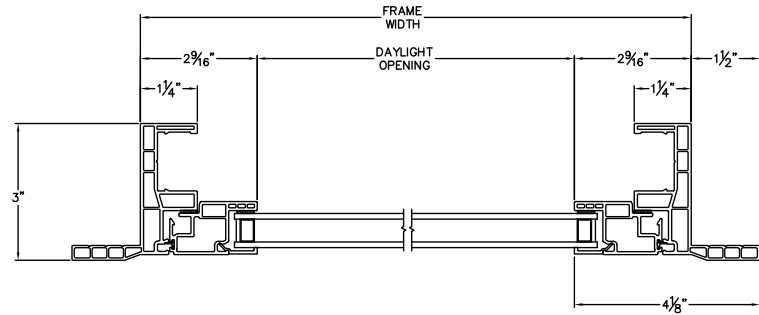
CAD File Scale	View	File Name	Units	Revision
NTS	Horizontal & Vertical	Trinsic_2270_SHA_1.5in_Z-Bar	Inch	08/2018

More Technical Documents can be found at [milgard.com/professionals](http://milgard.com/professionals)  
Due to continual research and development, details may be changed at any time. ©2018 Milgard Mfg.

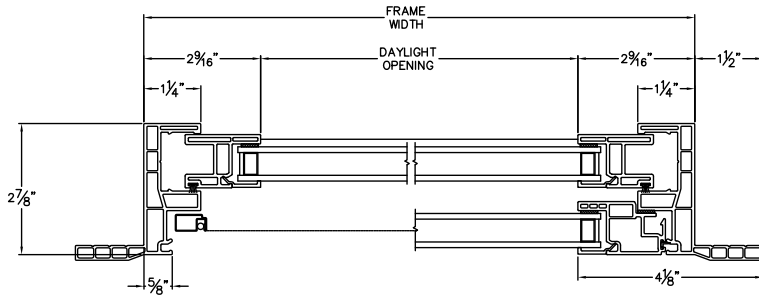
### SINGLE HUNG ABOVE SERIES 2270



HEAD & SILL



JAMBS



Revit, SketchUp, .PDF and .DWG files can be accessed at  
[milgard.com/professionals/technical-resources](http://milgard.com/professionals/technical-resources)

[Go back to Quick Links](#)

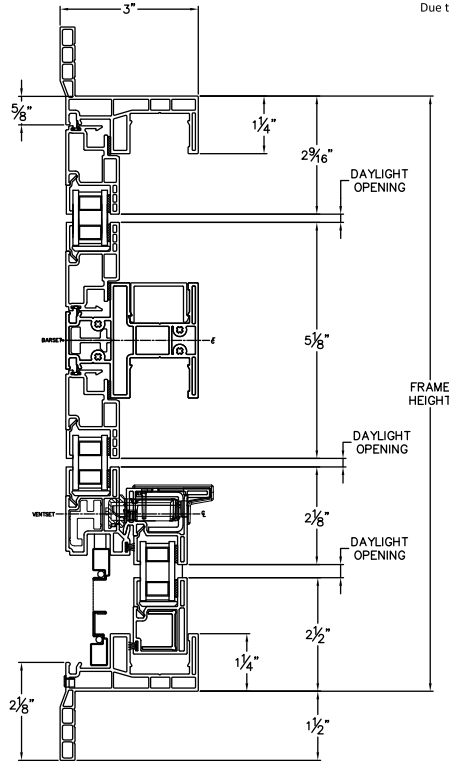
# Single Hung Window

## Single Hung Below - 1-1/2" Contour Z-bar

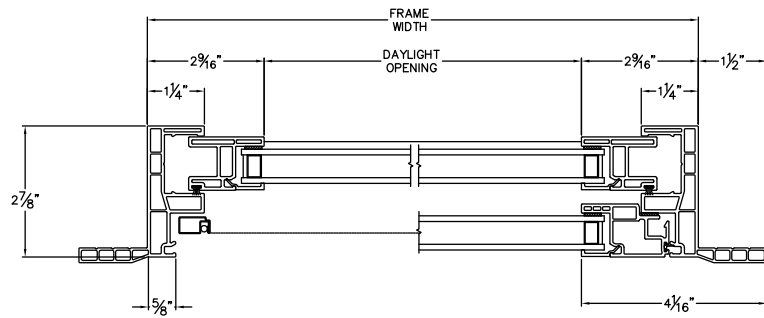
CAD File Scale	View	File Name	Units	Revision
NTS	Horizontal & Vertical	Trinsic_2270_SHB_1.5in_Z-Bar	Inch	08/2018

More Technical Documents can be found at [milgard.com/professionals](http://milgard.com/professionals)  
Due to continual research and development, details may be changed at any time. ©2018 Milgard Mfg.

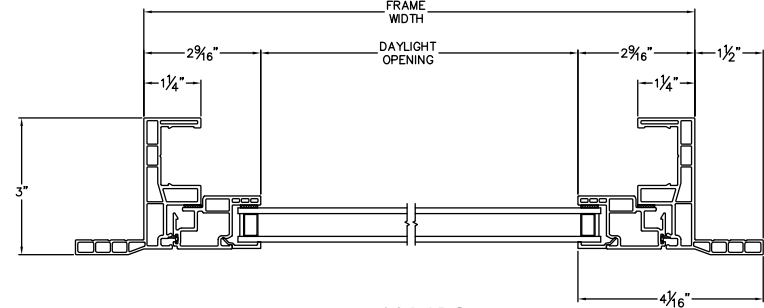
### SINGLE HUNG BELOW SERIES 2270



HEAD & SILL



JAMBS



Revit, SketchUp, .PDF and .DWG files can be accessed at  
[milgard.com/professionals/technical-resources](http://milgard.com/professionals/technical-resources)

[Go back to Quick Links](#)



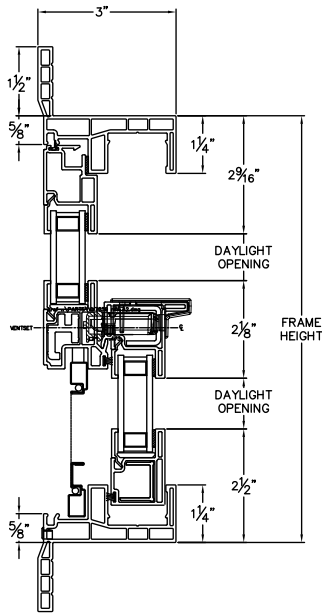
# Single Hung Window

Triple Single Hung - 1-1/2" Contour Z-bar

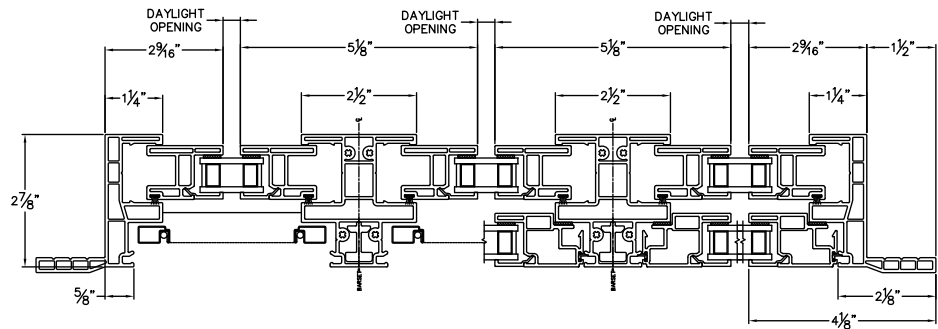
CAD File Scale	View	File Name	Units	Revision
NTS	Horizontal & Vertical	Trinsic_2270_TSH_1.5in_Z-Bar	Inch	08/2018

More Technical Documents can be found at [milgard.com/professionals](http://milgard.com/professionals)  
Due to continual research and development, details may be changed at any time. ©2018 Milgard Mfg.

## TRIPLE SINGLE HUNG SERIES 2270



HEAD & SILL



JAMBS

Revit, SketchUp, .PDF and .DWG files can be accessed at  
[milgard.com/professionals/technical-resources](http://milgard.com/professionals/technical-resources)

[Go back to Quick Links](#)

# Sliding Patio Door



The Trinsic™ Series vinyl (PVC) sliding glass door blends the energy efficiency and low maintenance of vinyl with clean lines and even sightlines.

The result is a more contemporary look with maximum glazing area. Available in White, Tan or premium painted upgrade homogenous window frames, the durable vinyl exterior will never need painting. The windows will maintain their color and shape and can be constructed to your exact size specifications.



Please also see:

[Components](#)

[Options](#)

[Hardware](#)

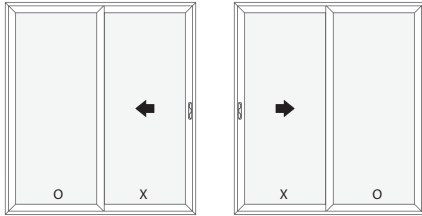
[Premium Exterior Vinyl Finishes](#)

[Full Lifetime Warranty](#)

# Sliding Patio Door

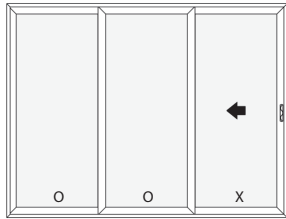
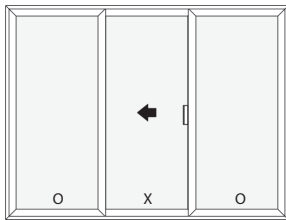
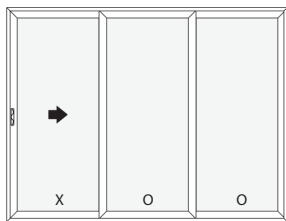
## Configurations

### 2 PANEL

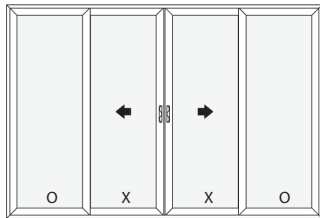


### 3 PANEL

Center operable panel can be handed left or right



### 4 PANEL



## Minimum/Maximum Sizes

### Sliding Door - 2 panel

- Min 5'0" Max 8'0"

### Sliding Door - 3 panel

- Min 9'0" Max 12'0"

### Sliding Door - 4 panel

- Min 10'0" Max 16'0"

## Available Frame Styles

- 1-3/8" Fin Setback
- 1" Fin Setback
- 1" Fin Setback with Stucco Key
- 1-1/2" Contour Z-bar
- Block Frame (no fin)

*NOTE: For engineering approval contact your Milgard representative for any configuration over 40 square feet. Each Milgard Manufacturing plant reserves the right to alter or change sizes and configurations according to location capabilities. Ask your Milgard rep about specialty applications. Windows over 40 square feet shipped open for field glazing. Varies by location.*

*Not all frame styles available at all Milgard locations. Contact your Milgard Representative for more information.*

# Drawings - Quick Links

## Sliding Patio Door

133—XO 1-3/8" Fin Setback

134—XO with -3/8" Fin Setback with Stucco Key

135—XO Block Frame

136—XO 1" Fin Setback

137—XO 1" Fin Setback with Stucco Key

138—XO 2-1/4" Contour Z-bar

139—OXO 1-3/8" Fin Setback

140—OXO 1-3/8" Fin Setback with Stucco Key

141—OXO Block Frame

142—OXO 1" Fin Setback

143—OXO 1" Fin Setback with Stucco Key

144—OXO 2-1/4" Contour Z-Bar

145—XOO 1-3/8" Fin Setback

146—XOO 1-3/8" Fin Setback with Stucco Key

147—XOO Block Frame

148—XOO 1" Fin Setback

149—XOO 1" Fin Setback with Stucco Key

150—XOO 2-1/4" Contour Z-Bar

151—OXXO 1-3/8" Fin Setback

152—OXXO 1-3/8" Fin Setback with Stucco Key

153—OXXO Block Frame

154—OXXO 1" Fin Setback

155—OXXO 1" Fin Setback with Stucco Key

156—OXXO 2-1/4" Contour Z-Bar

Revit, SketchUp, .PDF and .DWG files can be accessed at  
[milgard.com/professionals/technical-resources](http://milgard.com/professionals/technical-resources)

# Sliding Patio Door

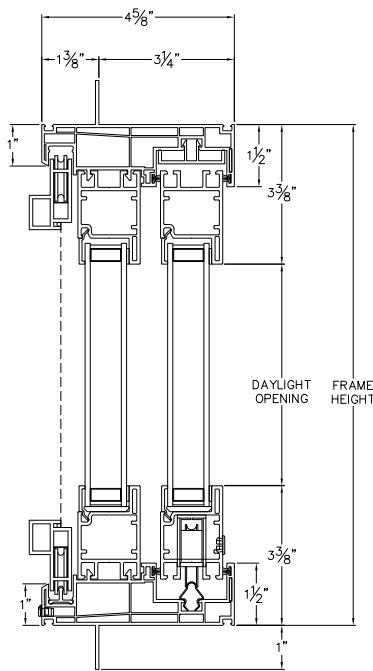
XO 1-3/8" Fin Setback

CAD File Scale	View	File Name	Units	Revision
NTS	Horizontal & Vertical	TRINSIC_2610_SGD_XO_1.375in FIN SET BACK	Inch	03/2018

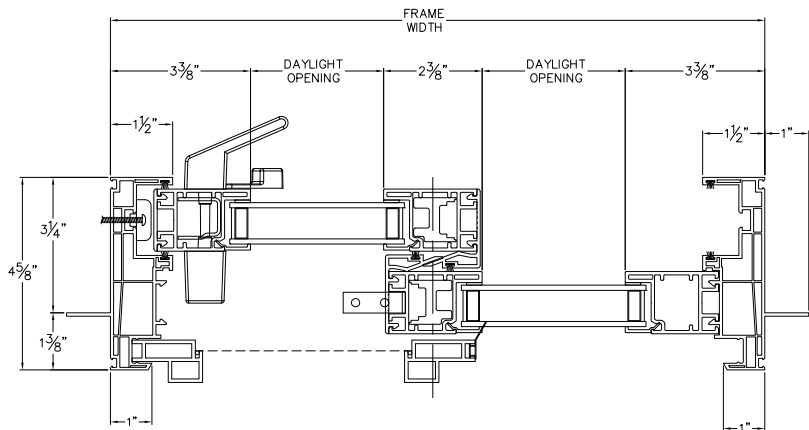
More Technical Documents can be found at [milgard.com/professionals](http://milgard.com/professionals)  
Due to continual research and development, details may be changed at any time. ©2018 Milgard Mfg.

## SLIDING DOOR SERIES 2610

XO Configuration Shown  
OX Configuration also available



HEAD & SILL



JAMBS

Revit, SketchUp, .PDF and .DWG files can be accessed at  
[milgard.com/professionals/technical-resources](http://milgard.com/professionals/technical-resources)

[Go back to Quick Links](#)

# Sliding Patio Door

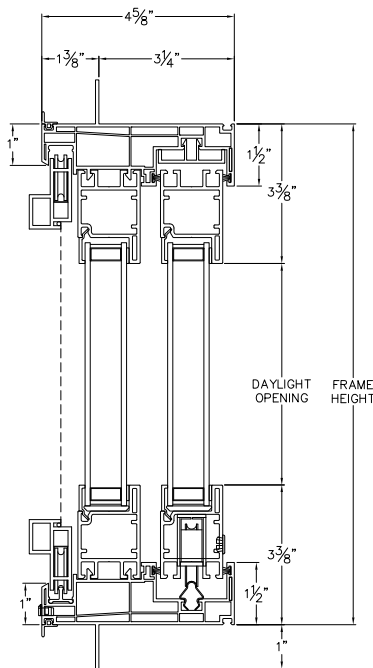
XO with -3/8" Fin Setback with Stucco Key

CAD File Scale	View	File Name	Units	Revision
NTS	Horizontal & Vertical	TRINSIC_2610_SGD_XO_1.375in FIN SET BACK_STUCCO KEY	Inch	03/2018

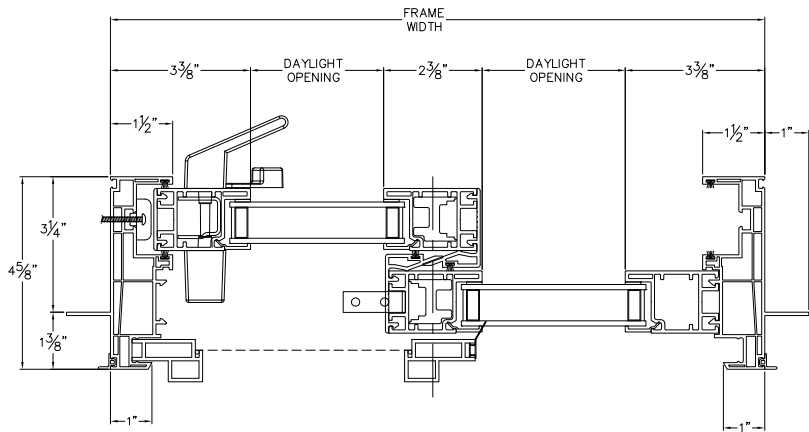
More Technical Documents can be found at [milgard.com/professionals](http://milgard.com/professionals)  
Due to continual research and development, details may be changed at any time. ©2018 Milgard Mfg.

## SLIDING DOOR SERIES 2610

XO Configuration Shown  
OX Configuration also available



HEAD & SILL



JAMBS

Revit, SketchUp, .PDF and .DWG files can be accessed at  
[milgard.com/professionals/technical-resources](http://milgard.com/professionals/technical-resources)

[Go back to Quick Links](#)

# Sliding Patio Door

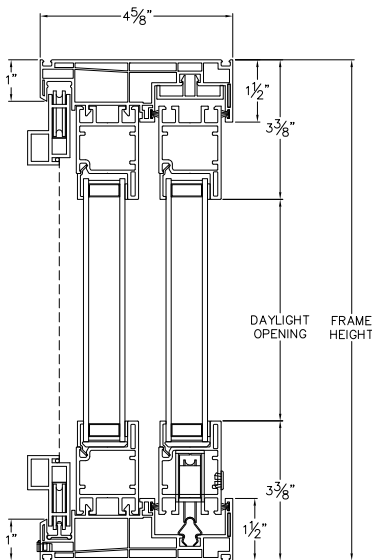
## XO Block Frame

CAD File Scale	View	File Name	Units	Revision
NTS	Horizontal & Vertical	TRINSIC_2610_SGD_XO_BLOCK FRAME	Inch	03/2018

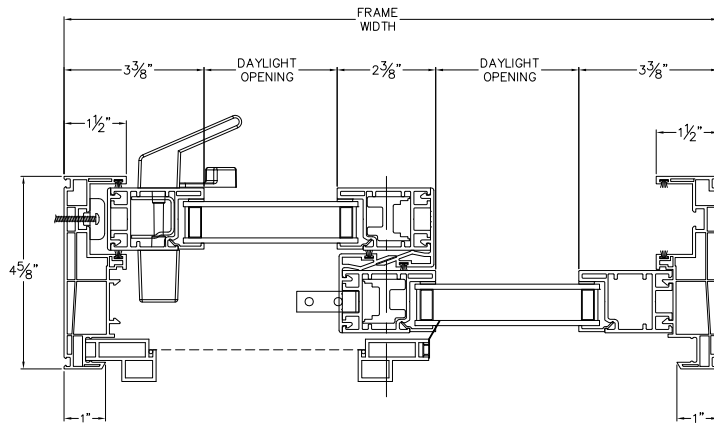
More Technical Documents can be found at [milgard.com/professionals](http://milgard.com/professionals)  
Due to continual research and development, details may be changed at any time. ©2018 Milgard Mfg.

### SLIDING DOOR SERIES 2610

XO Configuration Shown  
OX Configuration also available



HEAD & SILL



JAMBS

Revit, SketchUp, .PDF and .DWG files can be accessed at  
[milgard.com/professionals/technical-resources](http://milgard.com/professionals/technical-resources)

[Go back to Quick Links](#)

# Sliding Patio Door

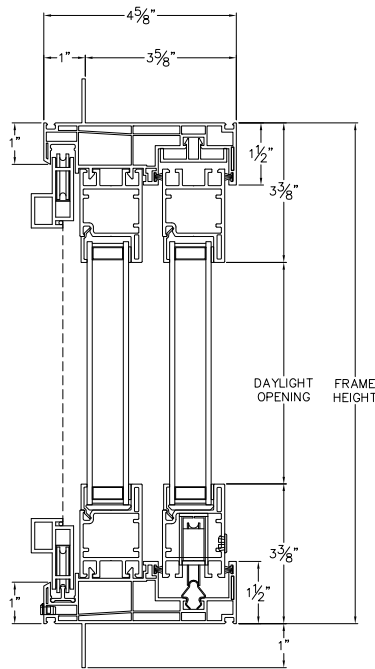
XO 1" Fin Setback

CAD File Scale	View	File Name	Units	Revision
NTS	Horizontal & Vertical	TRINSIC_2630_SGD_XO_1 In FIN SET BACK	Inch	03/2018

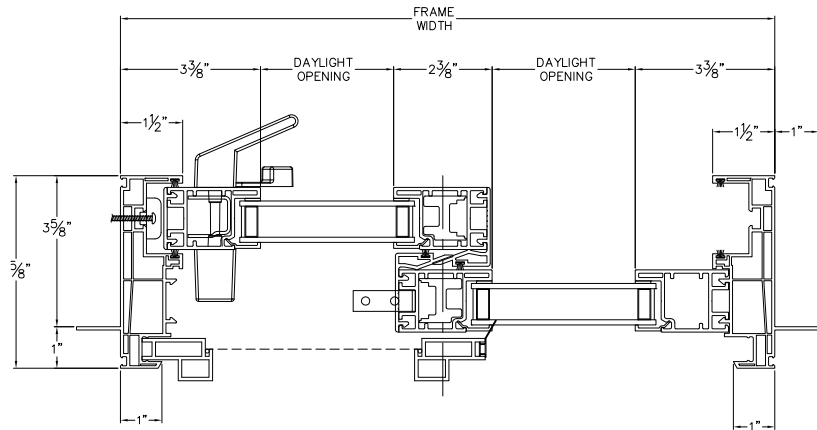
More Technical Documents can be found at [milgard.com/professionals](http://milgard.com/professionals)  
Due to continual research and development, details may be changed at any time. ©2018 Milgard Mfg.

## SLIDING DOOR SERIES 2630

XO Configuration Shown  
OX Configuration also available



HEAD & SILL



JAMBS

Revit, SketchUp, .PDF and .DWG files can be accessed at  
[milgard.com/professionals/technical-resources](http://milgard.com/professionals/technical-resources)

[Go back to Quick Links](#)



# Sliding Patio Door

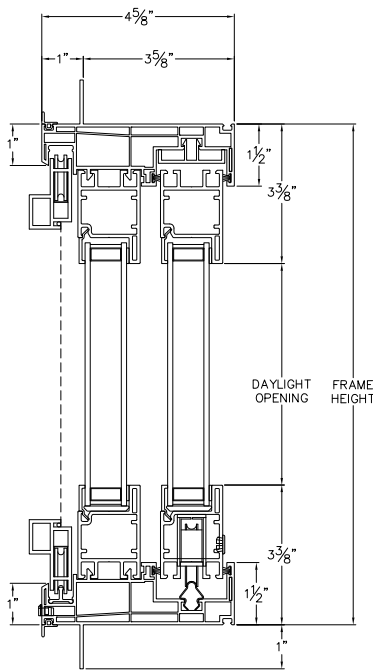
XO 1" Fin Setback with Stucco Key

CAD File Scale	View	File Name	Units	Revision
NTS	Horizontal & Vertical	TRINSIC_2630_SGD_XO_1 In FIN SET BACK_STUCCO KEY	Inch	04/2018

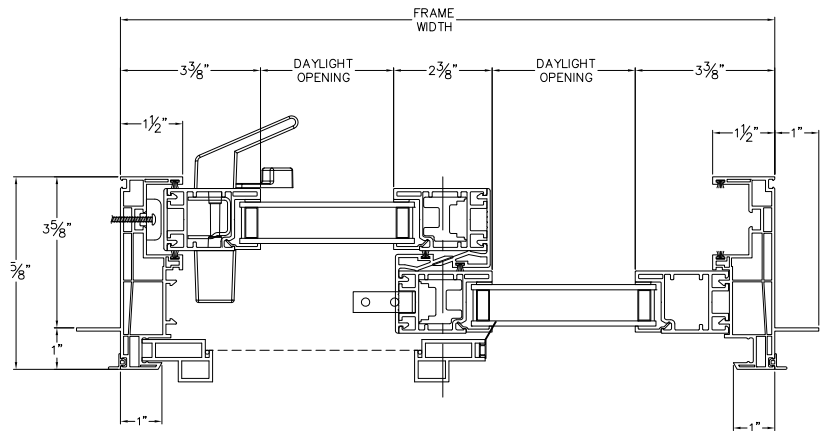
More Technical Documents can be found at [milgard.com/professionals](http://milgard.com/professionals)  
Due to continual research and development, details may be changed at any time. ©2018 Milgard Mfg.

## SLIDING DOOR SERIES 2630

XO Configuration Shown  
OX Configuration also available



HEAD & SILL



JAMBS

Revit, SketchUp, .PDF and .DWG files can be accessed at  
[milgard.com/professionals/technical-resources](http://milgard.com/professionals/technical-resources)

[Go back to Quick Links](#)

# Sliding Patio Door

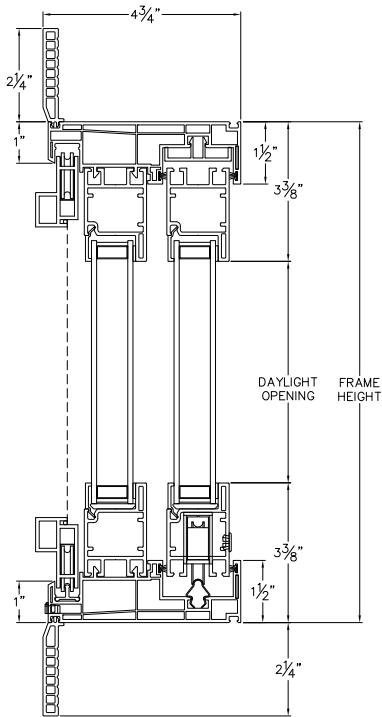
XO 2-1/4" Contour Z-bar

CAD File Scale	View	File Name	Units	Revision
NTS	Horizontal & Vertical	TRINSIC_2670_SGD_XO_2.25 In CONTOUR Z-BAR	Inch	04/2018

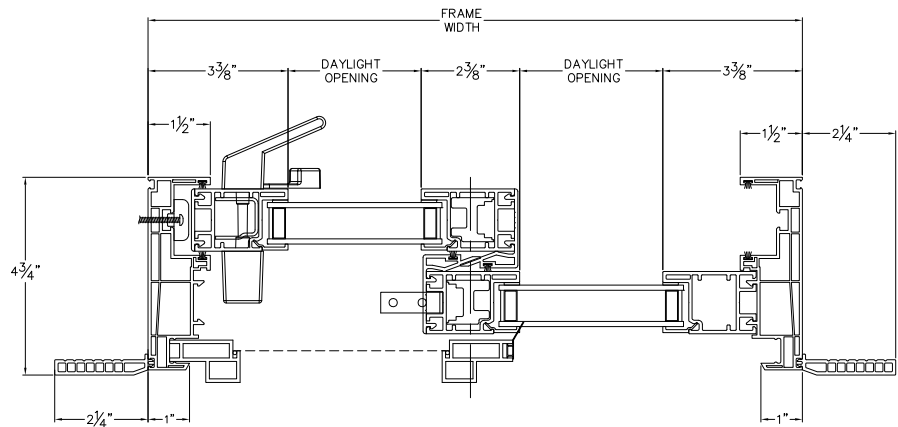
More Technical Documents can be found at [milgard.com/professionals](http://milgard.com/professionals)  
Due to continual research and development, details may be changed at any time. ©2018 Milgard Mfg.

## SLIDING DOOR SERIES 2670

XO Configuration Shown  
OX Configuration also available



HEAD & SILL



JAMBS

Revit, SketchUp, .PDF and .DWG files can be accessed at  
[milgard.com/professionals/technical-resources](http://milgard.com/professionals/technical-resources)

[Go back to Quick Links](#)

# Sliding Patio Door

OXO 1-3/8" Fin Setback

CAD File Scale  
NTS

View  
Horizontal & Vertical

File Name  
TRINSIC\_2610\_SGD\_OXO\_1.375in FIN SET BACK

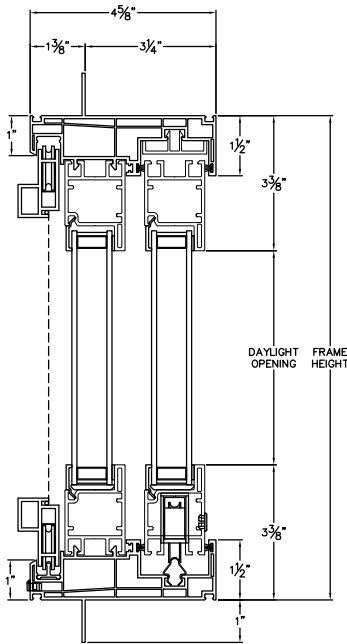
Units  
Inch

Revision  
04/2018

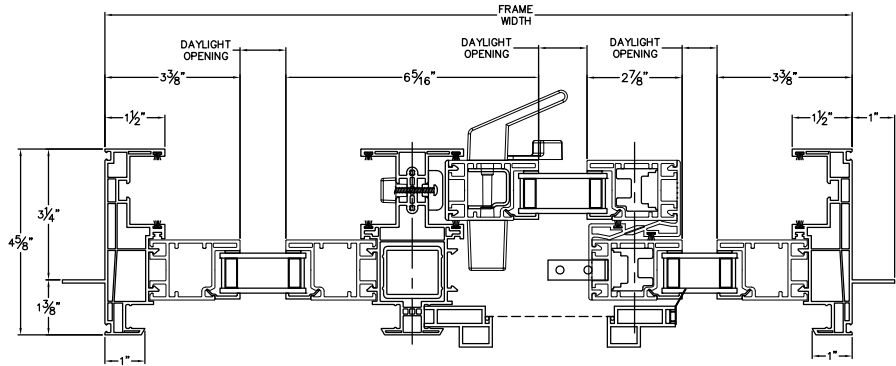
More Technical Documents can be found at [milgard.com/professionals](http://milgard.com/professionals)  
Due to continual research and development, details may be changed at any time. ©2018 Milgard Mfg.

## SLIDING DOOR SERIES 2610

OXO (R) Configuration Shown  
OXO (L) Configuration also available



HEAD & SILL



JAMBS

Revit, SketchUp, .PDF and .DWG files can be accessed at  
[milgard.com/professionals/technical-resources](http://milgard.com/professionals/technical-resources)

[Go back to Quick Links](#)

# Sliding Patio Door

OXO 1-3/8" Fin Setback with Stucco Key

CAD File Scale  
NTS

View  
Horizontal & Vertical

File Name  
TRINSIC\_2610\_SGD\_OXO\_1.375in FIN SET BACK\_STUCCO KEY

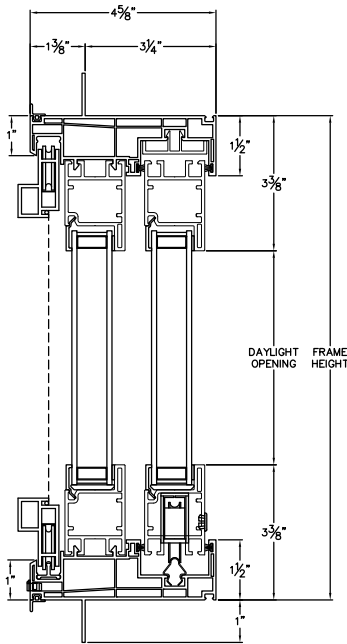
Units  
Inch

Revision  
04/2018

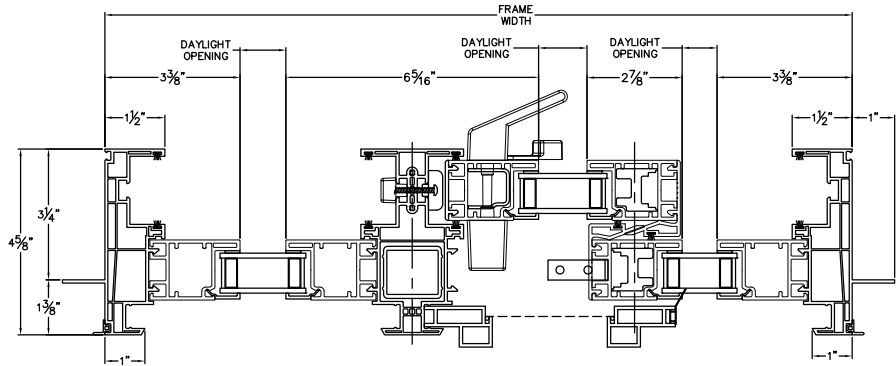
More Technical Documents can be found at [milgard.com/professionals](http://milgard.com/professionals)  
Due to continual research and development, details may be changed at any time. ©2018 Milgard Mfg.

## SLIDING DOOR SERIES 2610

OXO (R) Configuration Shown  
OXO (L) Configuration also available



HEAD & SILL



JAMBS

Revit, SketchUp, .PDF and .DWG files can be accessed at  
[milgard.com/professionals/technical-resources](http://milgard.com/professionals/technical-resources)

[Go back to Quick Links](#)

# Sliding Patio Door

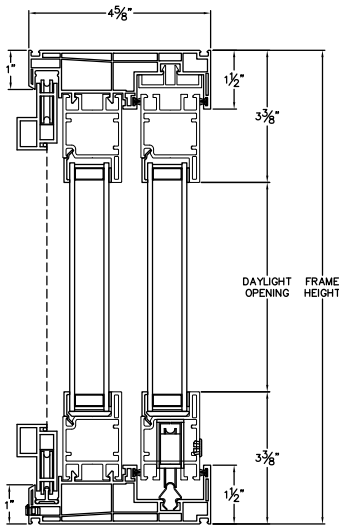
## OXO Block Frame

CAD File Scale	View	File Name	Units	Revision
NTS	Horizontal & Vertical	TRINSIC_2610_SGD_OXO_BLOCK FRAME	Inch	04/2018

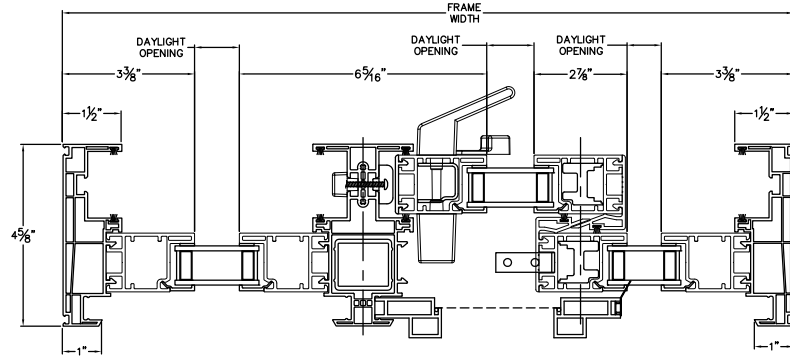
More Technical Documents can be found at [milgard.com/professionals](http://milgard.com/professionals)  
Due to continual research and development, details may be changed at any time. ©2018 Milgard Mfg.

### SLIDING DOOR SERIES 2610

OXO (R) Configuration Shown  
OXO (L) Configuration also available



HEAD & SILL



JAMBS

Revit, SketchUp, .PDF and .DWG files can be accessed at  
[milgard.com/professionals/technical-resources](http://milgard.com/professionals/technical-resources)

[Go back to Quick Links](#)

# Sliding Patio Door

OXO 1" Fin Setback

CAD File Scale  
NTS

View  
Horizontal & Vertical

File Name  
TRINSIC\_2630\_SGD\_OXO\_1 In FIN SET BACK

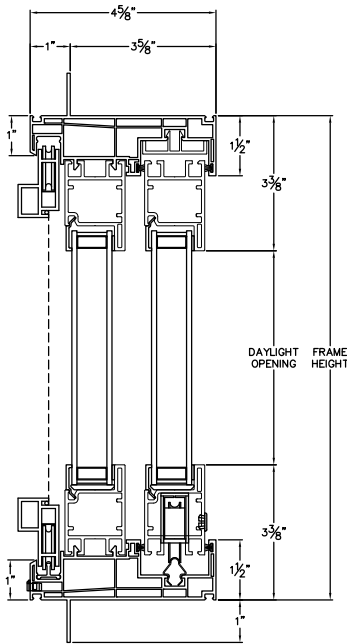
Units  
Inch

Revision  
04/2018

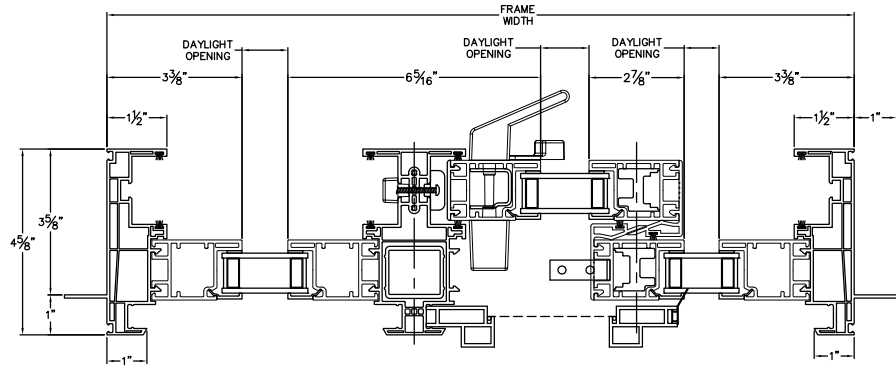
More Technical Documents can be found at [milgard.com/professionals](http://milgard.com/professionals)  
Due to continual research and development, details may be changed at any time. ©2018 Milgard Mfg.

## SLIDING DOOR SERIES 2630

OXO (R) Configuration Shown  
OXO (L) Configuration also available



HEAD & SILL



JAMBS

Revit, SketchUp, .PDF and .DWG files can be accessed at  
[milgard.com/professionals/technical-resources](http://milgard.com/professionals/technical-resources)

[Go back to Quick Links](#)

# Sliding Patio Door

OXO 1" Fin Setback with Stucco Key

CAD File Scale  
NTS

View  
Horizontal & Vertical

File Name  
TRINSIC\_2630\_SGD\_OXO\_1 In FIN SET BACK\_STUCCO KEY

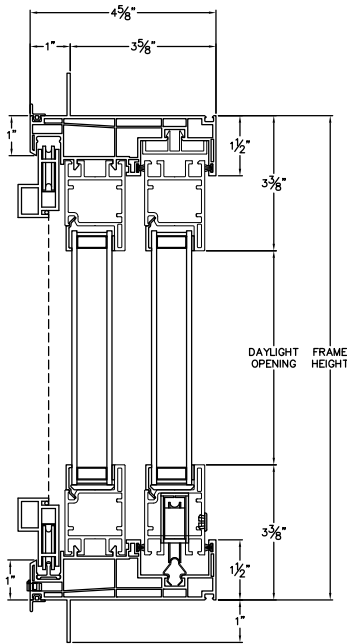
Units  
Inch

Revision  
04/2018

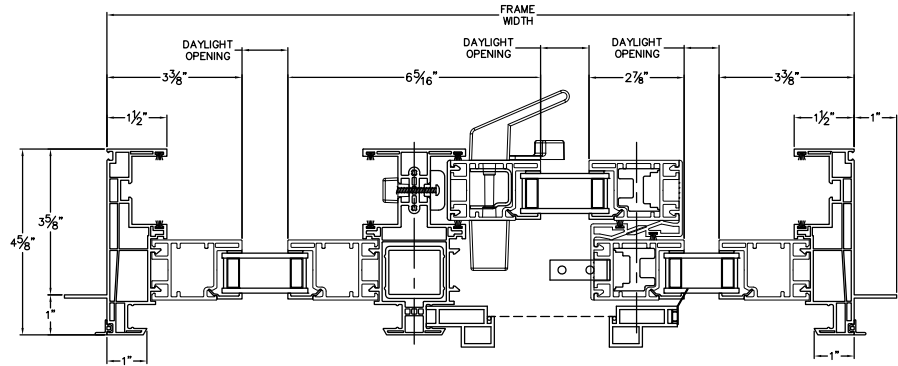
More Technical Documents can be found at [milgard.com/professionals](http://milgard.com/professionals)  
Due to continual research and development, details may be changed at any time. ©2018 Milgard Mfg.

## SLIDING DOOR SERIES 2630

OXO (R) Configuration Shown  
OXO (L) Configuration also available



HEAD & SILL



JAMBS

Revit, SketchUp, .PDF and .DWG files can be accessed at  
[milgard.com/professionals/technical-resources](http://milgard.com/professionals/technical-resources)

[Go back to Quick Links](#)

# Sliding Patio Door

OXO 2-1/4" Contour Z-Bar

CAD File Scale  
NTS

View  
Horizontal & Vertical

File Name  
TRINSIC\_2670\_SGD\_OXO\_2.25 In CONTOUR Z-BAR

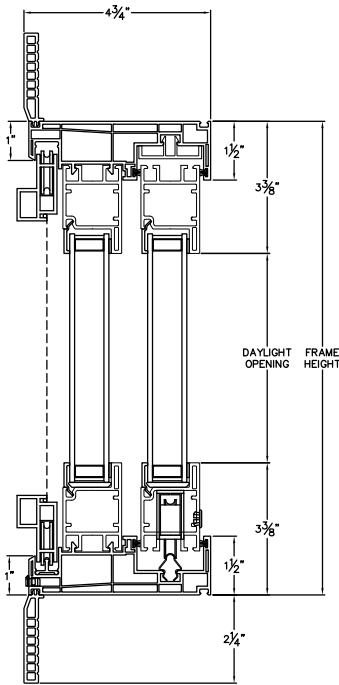
Units  
Inch

Revision  
04/2018

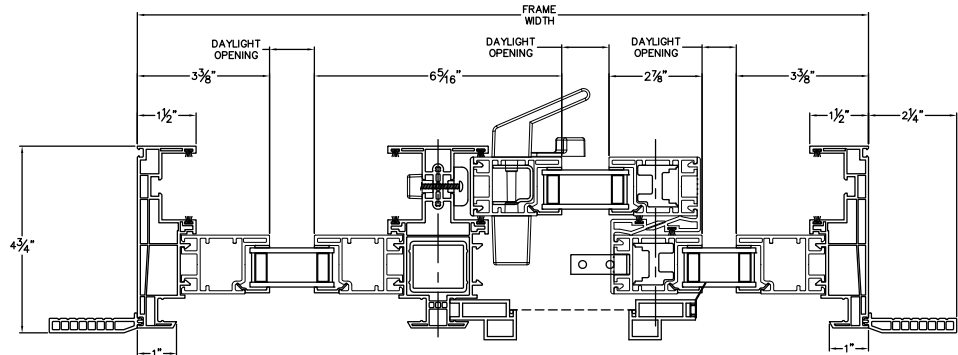
More Technical Documents can be found at [milgard.com/professionals](http://milgard.com/professionals)  
Due to continual research and development, details may be changed at any time. ©2018 Milgard Mfg.

SLIDING DOOR  
SERIES 2670

OXO (R) Configuration Shown  
OXO (L) Configuration also available



HEAD & SILL



JAMBS

Revit, SketchUp, .PDF and .DWG files can be accessed at  
[milgard.com/professionals/technical-resources](http://milgard.com/professionals/technical-resources)

[Go back to Quick Links](#)



# Sliding Patio Door

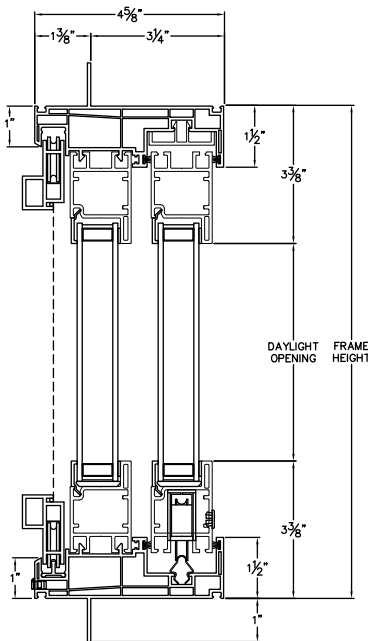
XOO 1-3/8" Fin Setback

CAD File Scale	View	File Name	Units	Revision
NTS	Horizontal & Vertical	Trinsic_2610_SGD_XOO_1.375in FIN SET BACK	Inch	04/2018

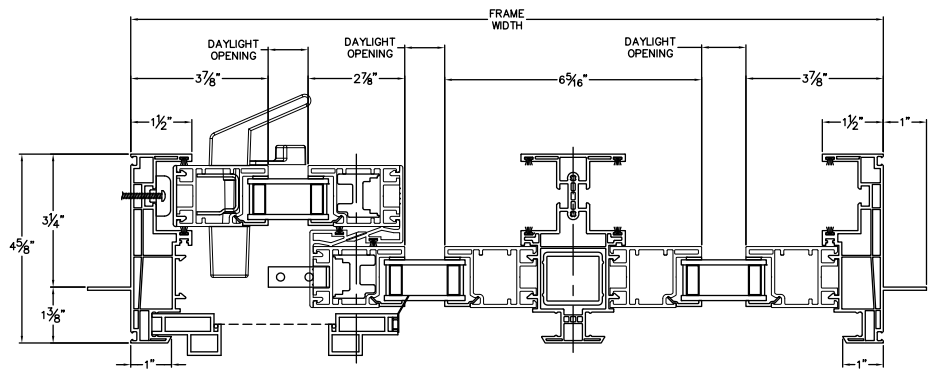
More Technical Documents can be found at [milgard.com/professionals](http://milgard.com/professionals)  
Due to continual research and development, details may be changed at any time. ©2018 Milgard Mfg.

## SLIDING DOOR SERIES 2610

XOO Configuration shown  
OOX Configuration also available



HEAD & SILL



JAMBS

Revit, SketchUp, .PDF and .DWG files can be accessed at  
[milgard.com/professionals/technical-resources](http://milgard.com/professionals/technical-resources)

[Go back to Quick Links](#)

# Sliding Patio Door

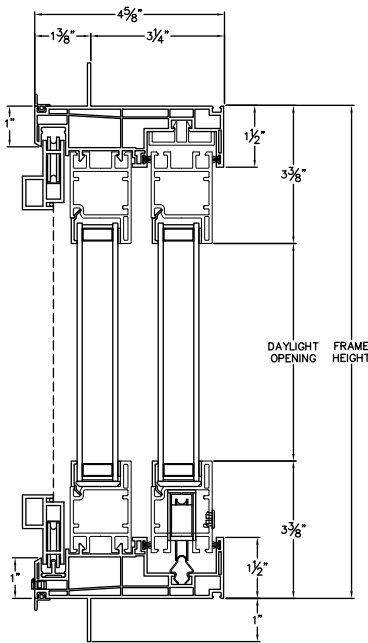
XOO 1-3/8" Fin Setback with Stucco Key

CAD File Scale	View	File Name	Units	Revision
NTS	Horizontal & Vertical	Trinsic_2610_SGD_XOO_1.375in FIN SET BACK W_STUCCO KEY	Inch	04/2018

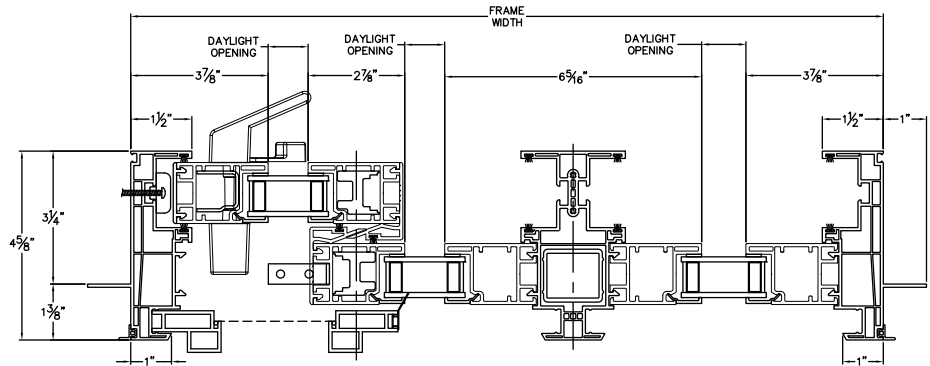
More Technical Documents can be found at [milgard.com/professionals](http://milgard.com/professionals)  
Due to continual research and development, details may be changed at any time. ©2018 Milgard Mfg.

**SLIDING DOOR  
SERIES 2610**

XOO Configuration shown  
OOX Configuration also available



HEAD & SILL



JAMBS

Revit, SketchUp, .PDF and .DWG files can be accessed at  
[milgard.com/professionals/technical-resources](http://milgard.com/professionals/technical-resources)

[Go back to Quick Links](#)

# Sliding Patio Door

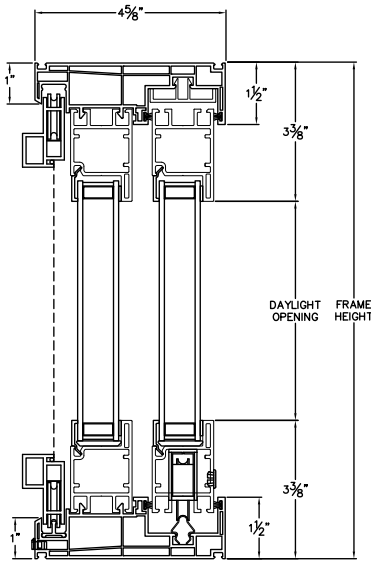
XOO Block Frame

CAD File Scale	View	File Name	Units	Revision
NTS	Horizontal & Vertical	TRINSIC_2610_SGD_XOO_BLOCK FRAME	Inch	05/2018

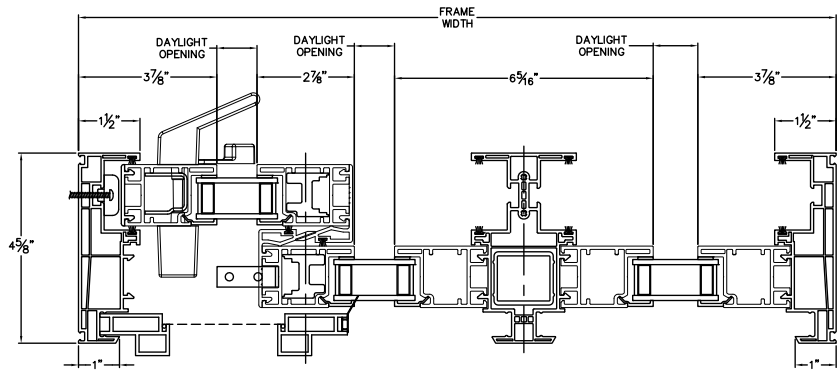
More Technical Documents can be found at [milgard.com/professionals](http://milgard.com/professionals)  
Due to continual research and development, details may be changed at any time. ©2018 Milgard Mfg.

**SLIDING DOOR  
SERIES 2610**

XOO Configuration shown  
OOX Configuration also available



HEAD & JAMB



JAMB

Revit, SketchUp, .PDF and .DWG files can be accessed at  
[milgard.com/professionals/technical-resources](http://milgard.com/professionals/technical-resources)

[Go back to Quick Links](#)

# Sliding Patio Door

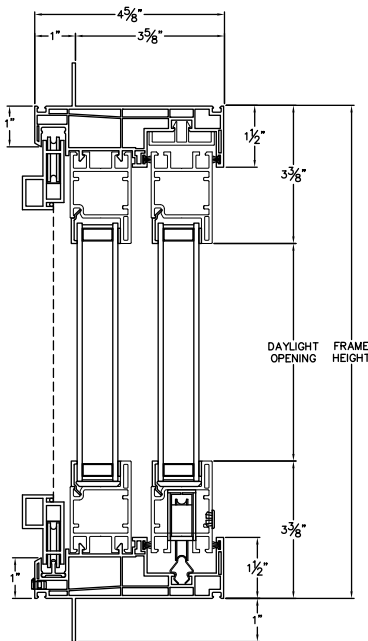
XOO 1" Fin Setback

CAD File Scale	View	File Name	Units	Revision
NTS	Horizontal & Vertical	Trinsic_2630_SGD_XOO_1in FIN SET BACK	Inch	04/2018

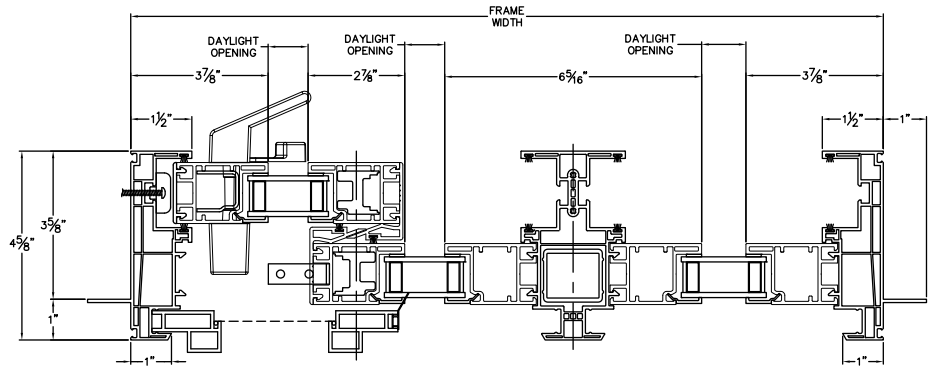
More Technical Documents can be found at [milgard.com/professionals](http://milgard.com/professionals)  
Due to continual research and development, details may be changed at any time. ©2018 Milgard Mfg.

SLIDING DOOR  
SERIES 2630

XOO Configuration shown  
OOX Configuration also available



HEAD & SILL



JAMBS

Revit, SketchUp, .PDF and .DWG files can be accessed at  
[milgard.com/professionals/technical-resources](http://milgard.com/professionals/technical-resources)

[Go back to Quick Links](#)

# Sliding Patio Door

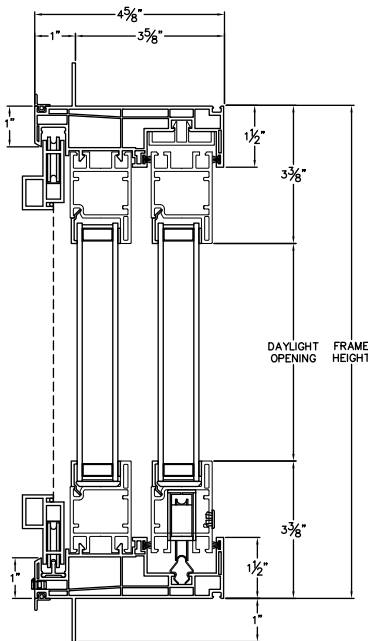
XOO 1" Fin Setback with Stucco Key

CAD File Scale	View	File Name	Units	Revision
NTS	Horizontal & Vertical	TRINSIC_2630_SGD_XOO_1in FIN SET BACK_STUCCO KEY	Inch	04/2018

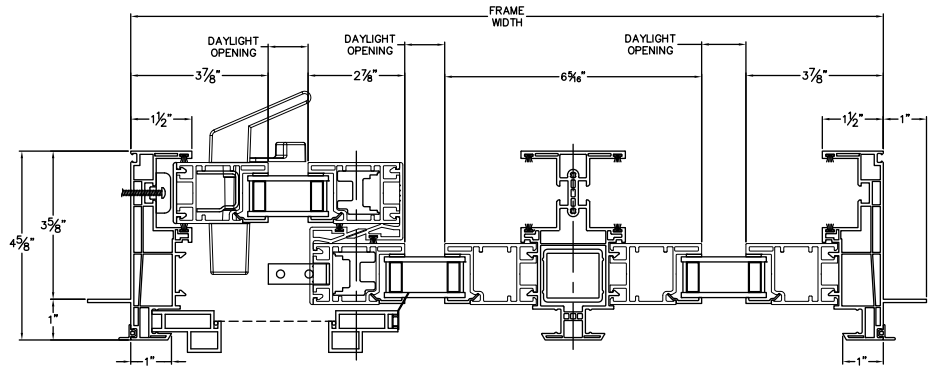
More Technical Documents can be found at [milgard.com/professionals](http://milgard.com/professionals)  
Due to continual research and development, details may be changed at any time. ©2018 Milgard Mfg.

**SLIDING DOOR  
SERIES 2630**

XOO Configuration shown  
OOX Configuration also available



HEAD & SILL



JAMBS

Revit, SketchUp, .PDF and .DWG files can be accessed at  
[milgard.com/professionals/technical-resources](http://milgard.com/professionals/technical-resources)

[Go back to Quick Links](#)

# Sliding Patio Door

XOO 2-1/4" Contour Z-Bar

CAD File Scale  
NTS

View  
Horizontal & Vertical

File Name  
TRINSIC\_2670\_SGD\_XOO\_2.25 In CONTOUR Z-BAR

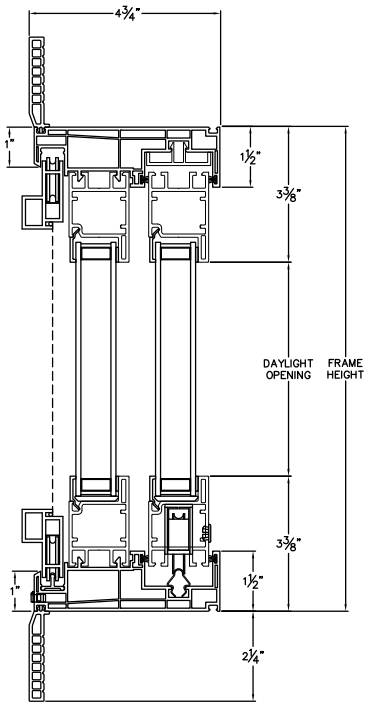
Units  
Inch

Revision  
05/2018

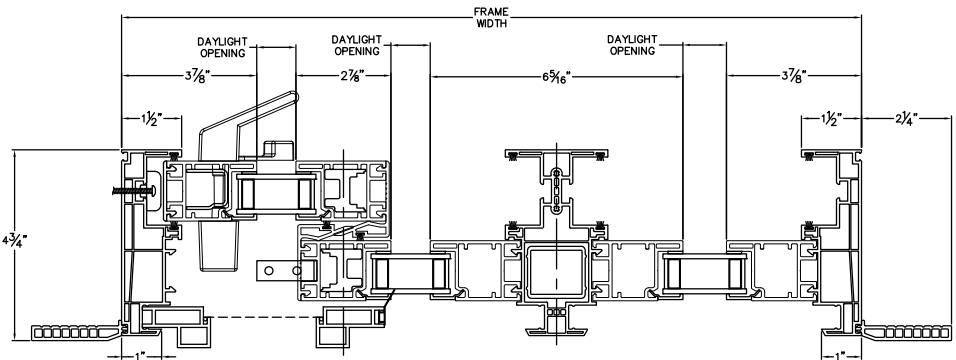
More Technical Documents can be found at [milgard.com/professionals](http://milgard.com/professionals)  
Due to continual research and development, details may be changed at any time. ©2018 Milgard Mfg.

SLIDING DOOR  
SERIES 2670

XOO Configuration shown  
OOX Configuration also available



HEAD & SILL



JAMBS

Revit, SketchUp, .PDF and .DWG files can be accessed at  
[milgard.com/professionals/technical-resources](http://milgard.com/professionals/technical-resources)

[Go back to Quick Links](#)

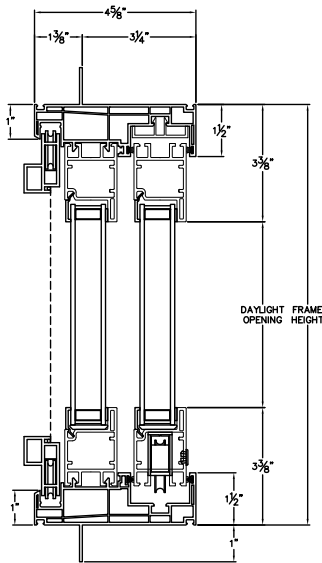
# Sliding Patio Door

OXXO 1-3/8" Fin Setback

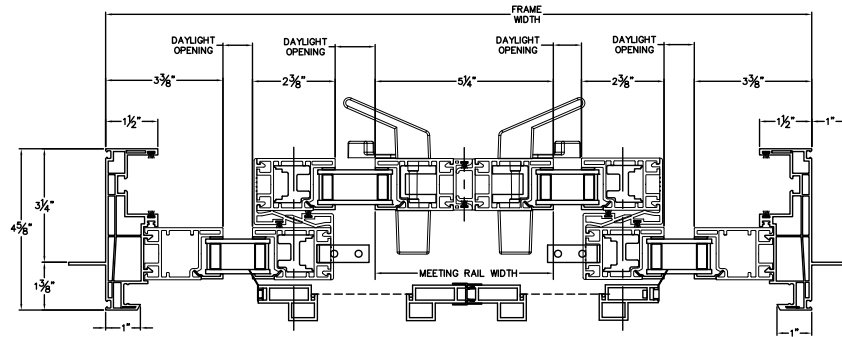
CAD File Scale	View	File Name	Units	Revision
NTS	Horizontal & Vertical	TRINSIC_2610_SGD_OXXO_1.375in FIN SET BACK	Inch	07/2018

More Technical Documents can be found at [milgard.com/professionals](http://milgard.com/professionals)  
Due to continual research and development, details may be changed at any time. ©2018 Milgard Mfg.

## SLIDING DOOR SERIES 2610



HEAD & SILL



JAMBS

Revit, SketchUp, .PDF and .DWG files can be accessed at  
[milgard.com/professionals/technical-resources](http://milgard.com/professionals/technical-resources)

[Go back to Quick Links](#)

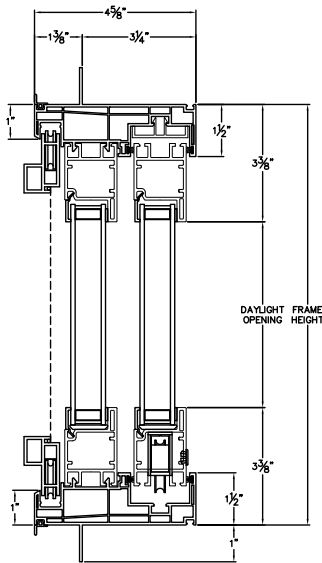
# Sliding Patio Door

OXXO 1-3/8" Fin Setback with Stucco Key

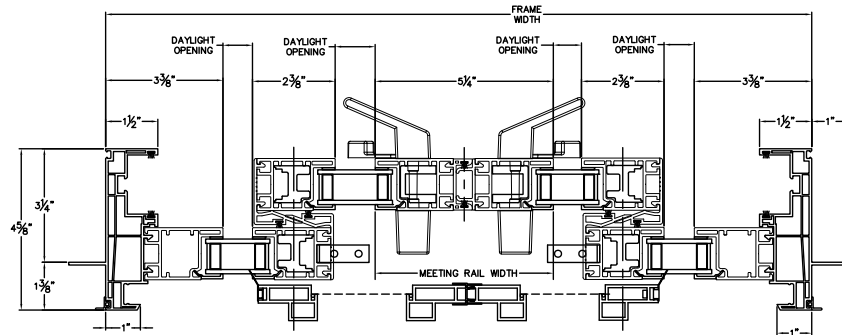
CAD File Scale	View	File Name	Units	Revision
NTS	Horizontal & Vertical	TRINSIC_2610_SGD_OXXO_1.375in FIN SET BACK_STUCCO KEY	Inch	07/2018

More Technical Documents can be found at [milgard.com/professionals](http://milgard.com/professionals)  
Due to continual research and development, details may be changed at any time. ©2018 Milgard Mfg.

## SLIDING DOOR SERIES 2610



HEAD & SILL



JAMBS

Revit, SketchUp, .PDF and .DWG files can be accessed at  
[milgard.com/professionals/technical-resources](http://milgard.com/professionals/technical-resources)

[Go back to Quick Links](#)



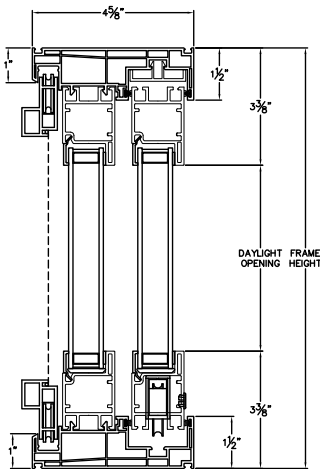
# Sliding Patio Door

OXXO Block Frame

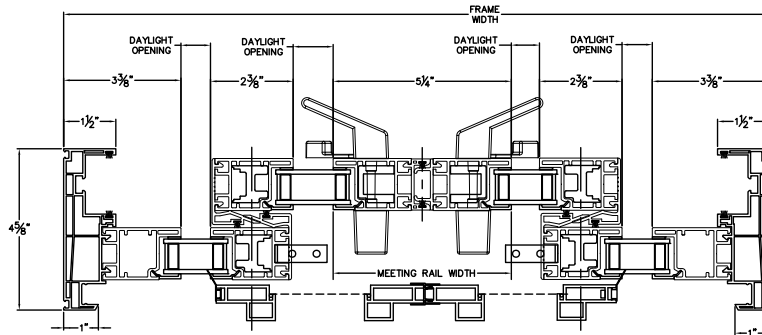
CAD File Scale	View	File Name	Units	Revision
NTS	Horizontal & Vertical	TRINSIC_2610_SGD_OXXO_BLOCK FRAME	Inch	07/2018

More Technical Documents can be found at [milgard.com/professionals](http://milgard.com/professionals)  
Due to continual research and development, details may be changed at any time. ©2018 Milgard Mfg.

## SLIDING DOOR SERIES 2610



HEAD & SILL



JAMBS

Revit, SketchUp, .PDF and .DWG files can be accessed at  
[milgard.com/professionals/technical-resources](http://milgard.com/professionals/technical-resources)

[Go back to Quick Links](#)

# Sliding Patio Door

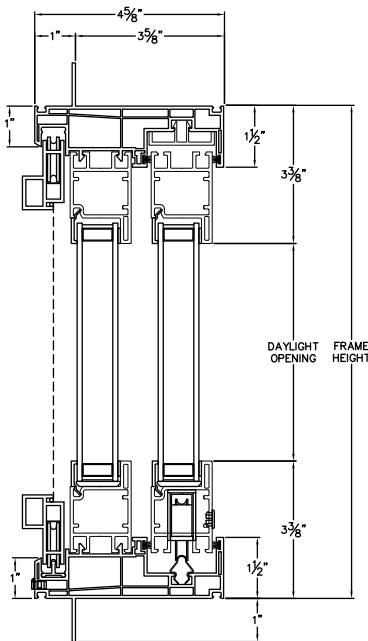
OXXO 1" Fin Setback

CAD File Scale	View	File Name	Units	Revision
NTS	Horizontal & Vertical	Trinsic_2630_SGD_XOO_1in FIN SET BACK	Inch	04/2018

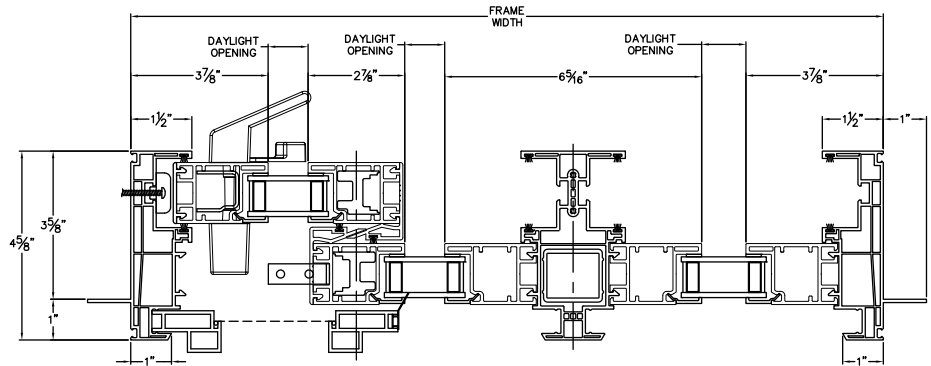
More Technical Documents can be found at [milgard.com/professionals](http://milgard.com/professionals)  
Due to continual research and development, details may be changed at any time. ©2018 Milgard Mfg.

## SLIDING DOOR SERIES 2630

XOO Configuration shown  
OOX Configuration also available



HEAD & SILL



JAMBS

Revit, SketchUp, .PDF and .DWG files can be accessed at  
[milgard.com/professionals/technical-resources](http://milgard.com/professionals/technical-resources)

[Go back to Quick Links](#)

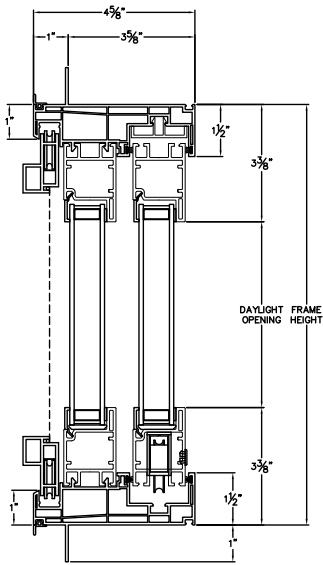
# Sliding Patio Door

OXXO 1" Fin Setback with Stucco Key

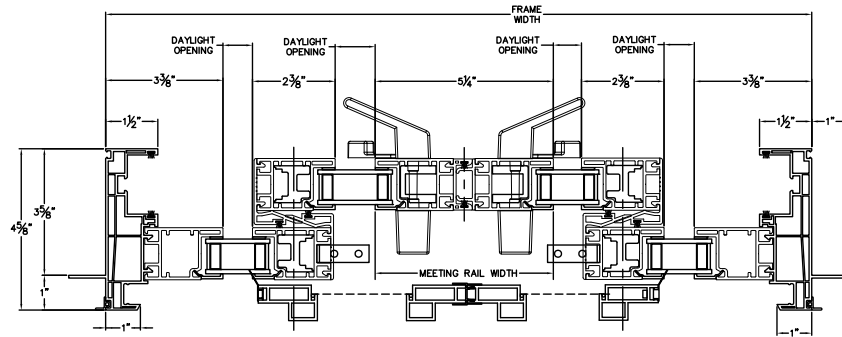
CAD File Scale	View	File Name	Units	Revision
NTS	Horizontal & Vertical	TRINSIC_2630_SGD_OXXO_1in FIN SET BACK_STUCCO KEY	Inch	07/2018

More Technical Documents can be found at [milgard.com/professionals](http://milgard.com/professionals)  
Due to continual research and development, details may be changed at any time. ©2018 Milgard Mfg.

## SLIDING DOOR SERIES 2630



HEAD & SILL



JAMBS

Revit, SketchUp, .PDF and .DWG files can be accessed at  
[milgard.com/professionals/technical-resources](http://milgard.com/professionals/technical-resources)

[Go back to Quick Links](#)

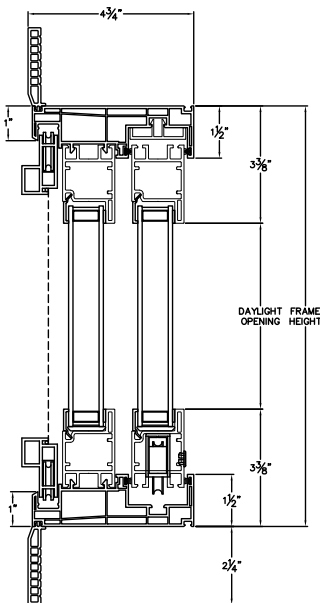
# Sliding Patio Door

OXXO 2-1/4" Contour Z-Bar

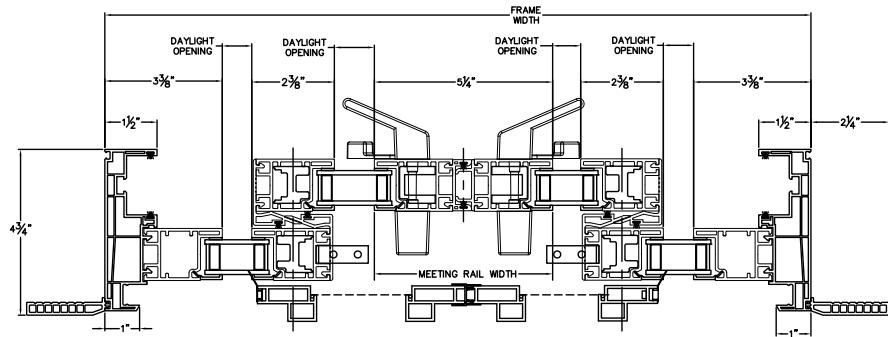
CAD File Scale	View	File Name	Units	Revision
NTS	Horizontal & Vertical	TRINSIC_2670_SGD_OXXO_2.25 In CONTOUR Z-BAR	Inch	07/2018

More Technical Documents can be found at [milgard.com/professionals](http://milgard.com/professionals)  
Due to continual research and development, details may be changed at any time. ©2018 Milgard Mfg.

## SLIDING DOOR SERIES 2670



HEAD & SILL



JAMBS

Revit, SketchUp, .PDF and .DWG files can be accessed at  
[milgard.com/professionals/technical-resources](http://milgard.com/professionals/technical-resources)

[Go back to Quick Links](#)